

Midi free-standing Beacons / Rotating Mirror Beacon 885

**Rotating Mirror Beacon BM 24VAC/DC RD**



Part No.: 885.100.75



| MECHANICAL DATA              |                             |
|------------------------------|-----------------------------|
| Height                       | 151 mm                      |
| Diameter                     | 98 mm                       |
| Materials                    | PC<br>PC/ABS                |
| Dome colour                  | Red                         |
| Housing colour               | Black                       |
| Protection category          | IP65                        |
| Connection                   | Screw terminals             |
| cross-sectional area maximum | 1,50mm <sup>2</sup> / 16AWG |
| Cable entry                  | Rubber pinch                |
| Cable entry minimum          | d = 5 mm                    |
| Cable entry maximum          | d = 7 mm                    |
| Type of fixing               | Base mounting               |
| Service life optical         | 5,000 h minimum             |
| Working temperature minimum  | -30°C                       |
| Working temperature maximum  | +50°C                       |
| Weight with packaging        | 365 g                       |
| Product weight               | 321 g                       |

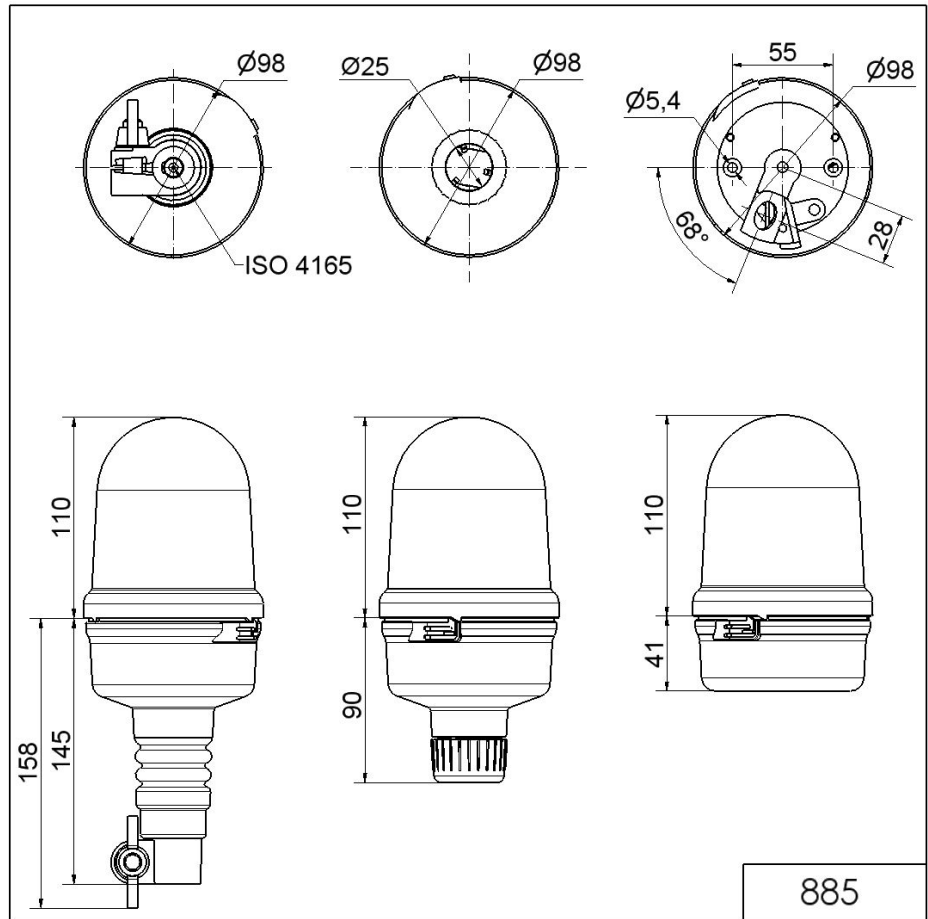
| ELECTRICAL DATA             |                    |
|-----------------------------|--------------------|
| Operating voltage           | 24V                |
| Operating voltage type      | AC/DC              |
| Operating voltage frequency | 50Hz               |
| Operating voltage tolerance | +/- 10%            |
| Rated operational voltage   | 24 VDC             |
| Rated operational current   | 1000 mA            |
| Rated inrush current        | 2.000 mA           |
| Protection class            | Protection class 2 |
| Pollution degree            | 3                  |

| OPTICAL DATA             |              |
|--------------------------|--------------|
| Light source             | halogen bulb |
| Light colour             | Red          |
| Rotation frequency (rpm) | 180 U/min    |

! For additional installation and mounting information, refer to the appropriate user guide at [www.werma.com](http://www.werma.com). This printed copy is for information only and is subject to alteration.

Midi free-standing Beacons / Rotating Mirror Beacon 885  
**Rotating Mirror Beacon BM 24VAC/DC RD**

**DRAWING**



For additional installation and mounting information, refer to the appropriate user guide at [www.werma.com](http://www.werma.com). This printed copy is for information only and is subject to alteration.