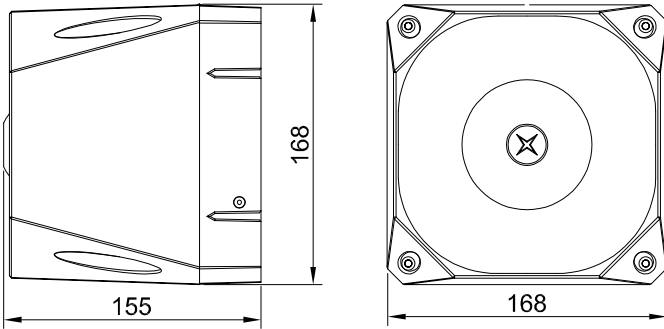


ASSERTA Industrial Sounder (24Vdc)

Specification

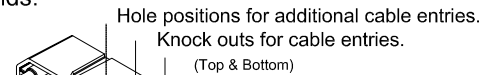
	24Vdc
Operation	Continuous
Operating Voltage Range	18Vdc-28Vdc
Sound Output @ 1m	See table overleaf
Current Consumption	See table overleaf
Tones	42 see table overleaf
Operating Temperature	-25°C to +70°C
Line Monitoring Method	Polarised Input
Construction	ABS /PC Plastic Case
Environment Category	Type A/B
Ingress Protection	IP66
Compliance	EN54-3
	Fire Alarm device-Sounder

Dimensions



1. Installation

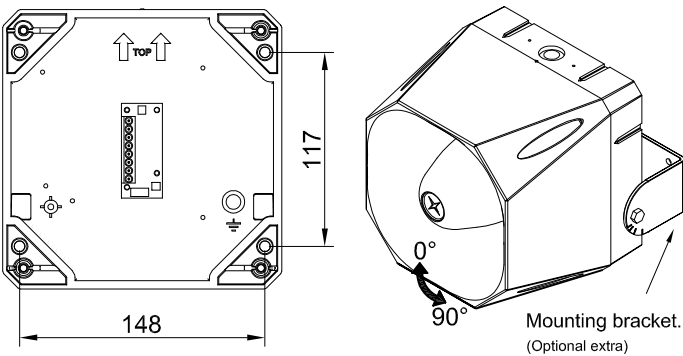
Knockout or drill required cable gland holes, and fix required cable glands.



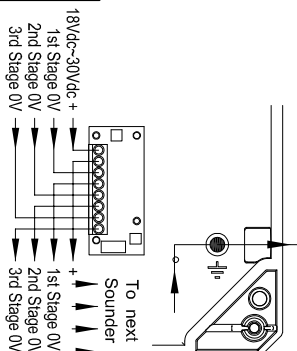
NOTE: Ensure that the IP integrity is maintained during gland fitting. (Take care not to disturb the electronics while drilling. Remove PCB if required)

2. Fixing Details

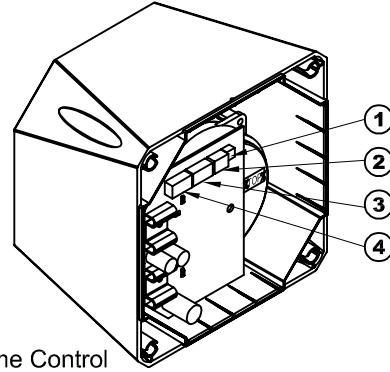
Fix base to wall in 4 positions.



3. Connection Detail



4. Sounder Settings



1. Volume Control

Turn dial clockwise to increase volume. (Nominal 20dB range)

2. Switch 1 (Time out setting)

BIT 1234	Minutes	BIT 1234	Minutes
111X	5	011X	25
110X	10	010X	30
101X	15	001X	40
100X	20	000X	∞

0 = Open
1 = Closed

Switch 1 bit 4 is to select voice (0)/ no voice (1). (Where fitted)

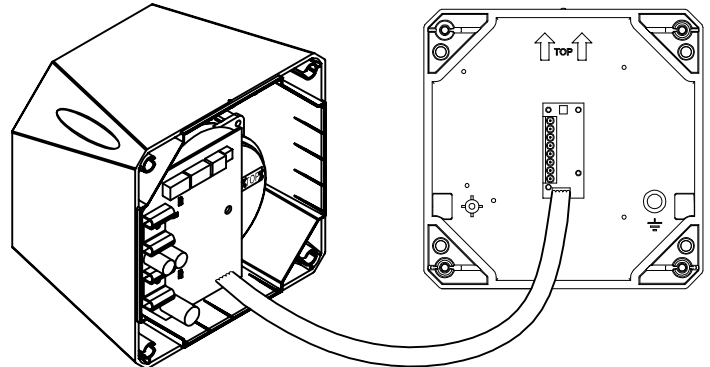
3. Switch 2 (Stage 1 tone selection)

See table overleaf.

4. Switch 3 (Stage 2 tone selection)

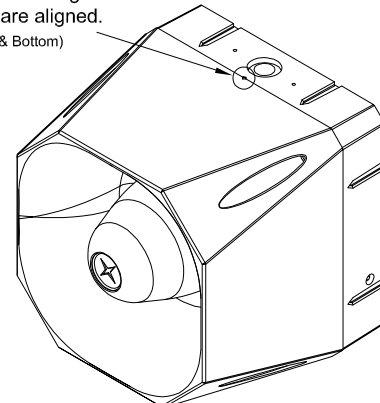
See table overleaf. (Stage 3 Tone is dependent on the setting of switch 2)

5. Sounder Assembly



1. Plug the 5 way ribbon cable into the base header.
2. Ensure that the top indicator on the base is aligned with the top indicator on the sounder, and push the sounder onto the base.
3. Secure the sounder to the base using the bolts provided.

Ensure that guide ribs are aligned. (Top & Bottom)



WARNING : On some tones the output level can exceed 120dB(A) @ 1m. Consult the relevant or appropriate health and safety regulations for guidelines. Tones Table overleaf.
NOTE : Polar dispersion information available in the technical manual. (Ref:M03-003)

CE marking under CPD was affixed on: (see batch code on product)
Fulleon Ltd, Cwmbran, South Wales, UK.

AS 110 0832-CPD-0566
AS 120 0832-CPD-0520