

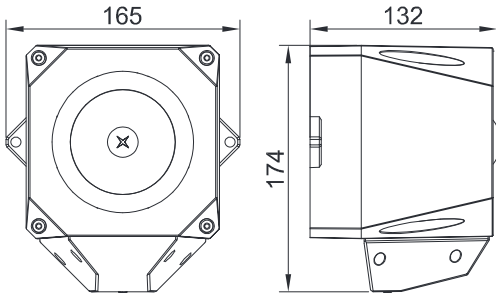
# ASSERTA Midi Sounder/Beacon AS/M/SB/9-60



## Specification

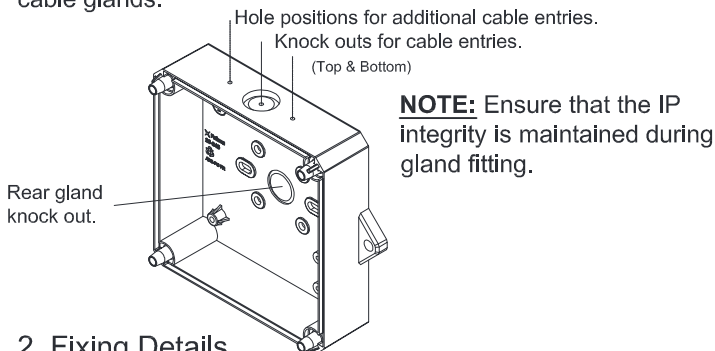
	Sounder	Beacon
Operation	Continuous	Continuous
Operating Voltage Range	9Vdc-15Vdc (Non-Fire) 15Vdc-60Vdc (EN54-3)	9Vdc-15Vdc (Non-Fire) 15Vdc-60Vdc (EN54-3)
Output	See table overleaf	2.5 Joules
Current Consumption	See table overleaf	615mA@9V - 90mA@60V
Tones	32 see table overleaf	N/A
Operating Temperature	-25°C to +70°C	-25°C to +70°C
Line Monitoring Method	Polarised Input	Polarised Input
Construction	ABS /PC FR Plastic Case	ABS /PC FR Plastic Case
Ingress Protection	IP66	IP66
Termination	0.28~2.5mm <sup>2</sup> cable	0.28~2.5mm <sup>2</sup> cable
Environment Category	Type A/B	Type A/B
Compliance	EN54-3 Fire Alarm device-Sounder	

## Dimensions



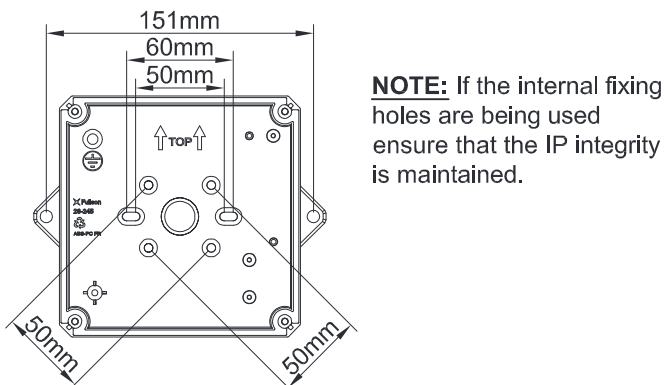
## 1. Installation

Knockout or drill required cable gland holes, and fix required cable glands.



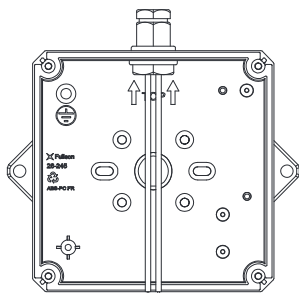
## 2. Fixing Details

Fix base to wall using the two external lugs, or to a suitable junction box using the positions indicated in the base.



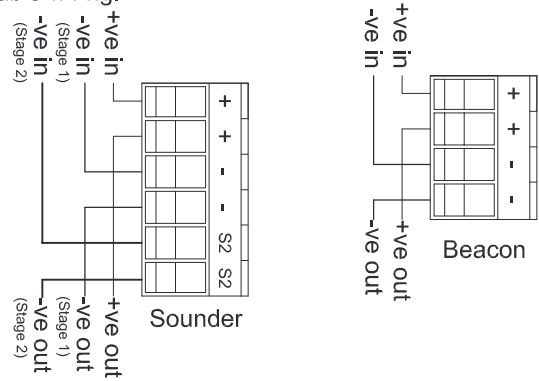
## 3. Cable Preparation

Cut cable to ±130mm. (use the opposite side of the base as a guide)



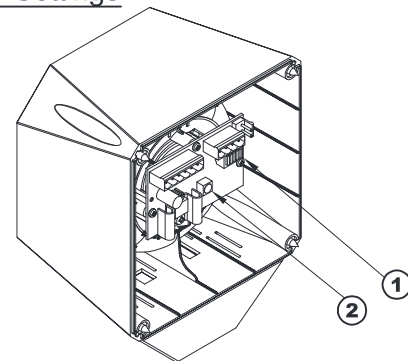
## 4. Connection Details

Remove the terminal blocks from the sounder PCB for cable wiring.



**NOTE:** Stage 2 tone selection is achieved by connecting the S2 input to the -ve (Stage 1) supply.

## 5. Sounder Settings



1. Tone select switch



See table overleaf.

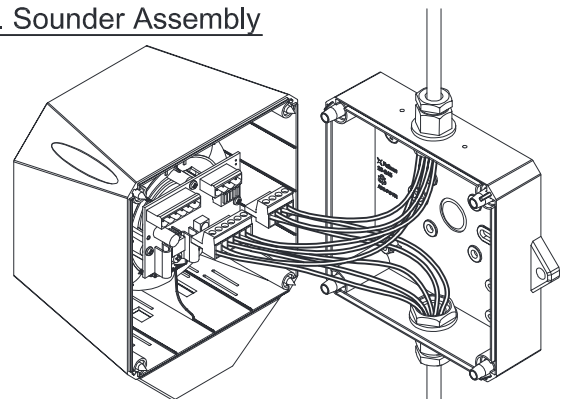
0 = Open  
1 = Closed

2. Volume Control

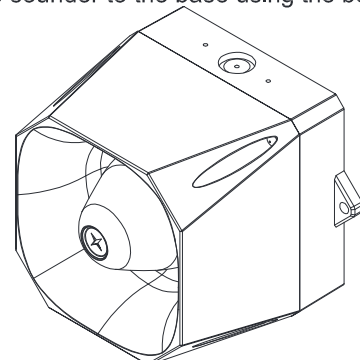


Turn dial clockwise to increase volume. (Nominal 10dB range)

## 6. Sounder Assembly



1. Plug the 4 way terminal block into the 4 way header and the 6 way terminal block into the 6 way header on the sounder PCB.
2. Secure the sounder to the base using the bolts provided.



**NOTE :** Polar dispersion information available in the technical manual. (Ref:M04-005)  
CE marking under CPD was affixed on: (see batch code on product)  
Fulleon Ltd, Cwmbran, South Wales, UK.