

Mini / Flash/Multi-Tone Sounder 423

Flash/Sounder WM 8 tne 24VAC/DC RD

Part No.: 423.120.75

**MECHANICAL DATA**

Height	121 mm
Diameter	83 mm
Materials	PC
Dome colour	Red
Housing colour	Grey
Protection category	IP65
Connection	Screw terminals
cross-sectional area maximum	1,50mm ² / 16AWG
Cable entry	Membrane grommet
Cable entry minimum	d = 1 mm
Cable entry maximum	d = 9 mm
Tension relief	Pull-out protection
Type of fixing	Wall mounting
Service life optical	4 million flashes minimum
Acoustic service life	5,000 h minimum
Working temperature minimum	-20°C
Working temperature maximum	+50°C
Weight with packaging	179 g
Product weight	146 g

ELECTRICAL DATA

Operating voltage	24V
Operating voltage type	AC/DC
Operating voltage frequency	50Hz
Operating voltage tolerance	+/- 10%
Rated operational voltage	24 VDC
Rated operational current	120 mA
Rated inrush current	1.000 mA
Protection class	Protection class 2
Pollution degree	3

OPTICAL DATA

Light source	Xenon
Light colour	Red
Optical signal image	Flash
Flash frequency	1 Hz
Flash output	1 J

ACUSTICAL DATA

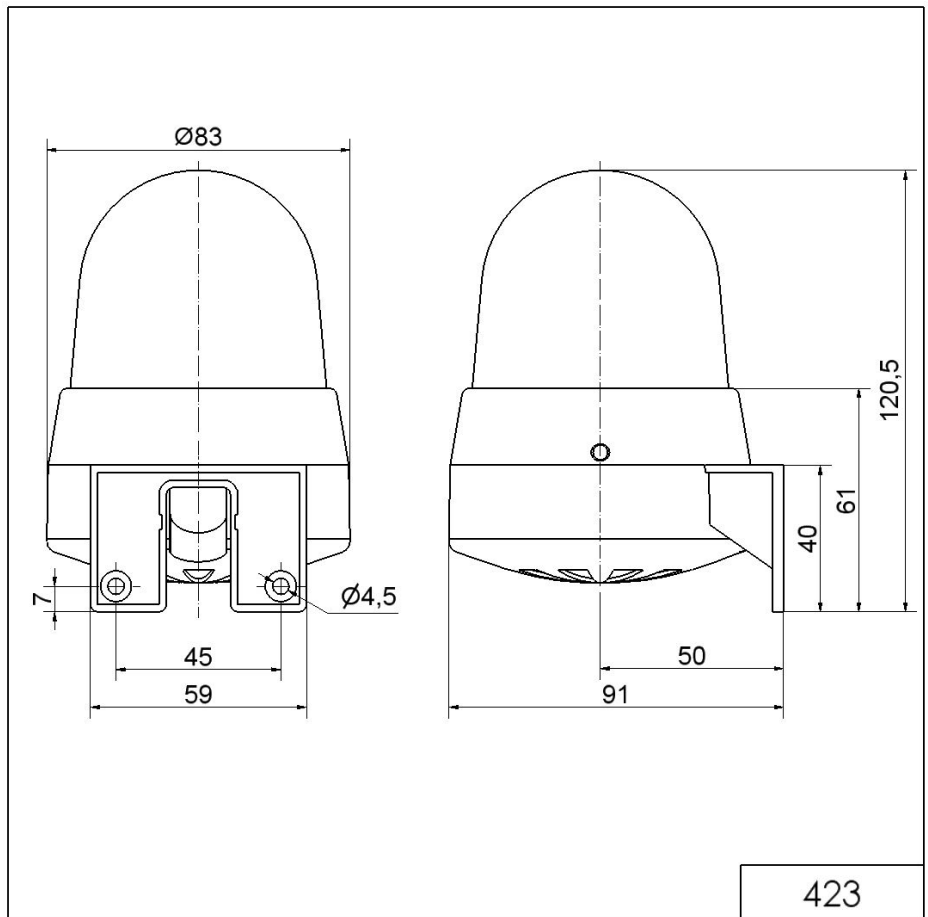
For additional installation and mounting information, refer to the appropriate user guide at www.werma.com. This printed copy is for information only and is subject to alteration.

Mini / Flash/Multi-Tone Sounder 423

Flash/Sounder WM 8 tne 24VAC/DC RD

Volume/dB(max) at 1m distance	109,0 dB (A)
Acoustic signal image	Multi-tone
Number of tones	8 tone

DRAWING



! For additional installation and mounting information, refer to the appropriate user guide at www.werma.com. This printed copy is for information only and is subject to alteration.