

Mini / Flash/Horn 425

**Horn/Flash Comb. WM Contin. tone 230VAC**

Part No.: 425.320.68



| MECHANICAL DATA              |                             |
|------------------------------|-----------------------------|
| Height                       | 235 mm                      |
| Diameter                     | 83 mm                       |
| Materials                    | PC                          |
| Dome colour                  | Yellow                      |
| Housing colour               | Grey                        |
| Protection category          | IP65                        |
| Connection                   | Screw terminals             |
| cross-sectional area maximum | 1,50mm <sup>2</sup> / 16AWG |
| Cable entry                  | Membrane grommet            |
| Cable entry minimum          | d = 1 mm                    |
| Cable entry maximum          | d = 9 mm                    |
| Tension relief               | Pull-out protection         |
| Type of fixing               | Wall mounting               |
| Service life optical         | 4 million flashes minimum   |
| Acoustic service life        | 5,000 h minimum             |
| Working temperature minimum  | -20°C                       |
| Working temperature maximum  | +50°C                       |
| Weight with packaging        | 239 g                       |
| Product weight               | 186 g                       |

| ELECTRICAL DATA             |                          |
|-----------------------------|--------------------------|
| Operating voltage           | 230V                     |
| Operating voltage type      | AC                       |
| Operating voltage frequency | 50Hz                     |
| Operating voltage tolerance | +/- 10%                  |
| Rated operational voltage   | 230 VAC                  |
| Rated operational current   | 100 mA                   |
| Rated inrush current        | 1.000 mA                 |
| Protection class            | Protection class 2       |
| Pollution degree            | 3                        |
| Overvoltage category        | II                       |
| Isolation voltage           | Ui = 250V; Uimp = 2.500V |

| OPTICAL DATA         |        |
|----------------------|--------|
| Light source         | Xenon  |
| Light colour         | Yellow |
| Optical signal image | Flash  |
| Flash frequency      | 1 Hz   |
| Flash output         | 1 J    |

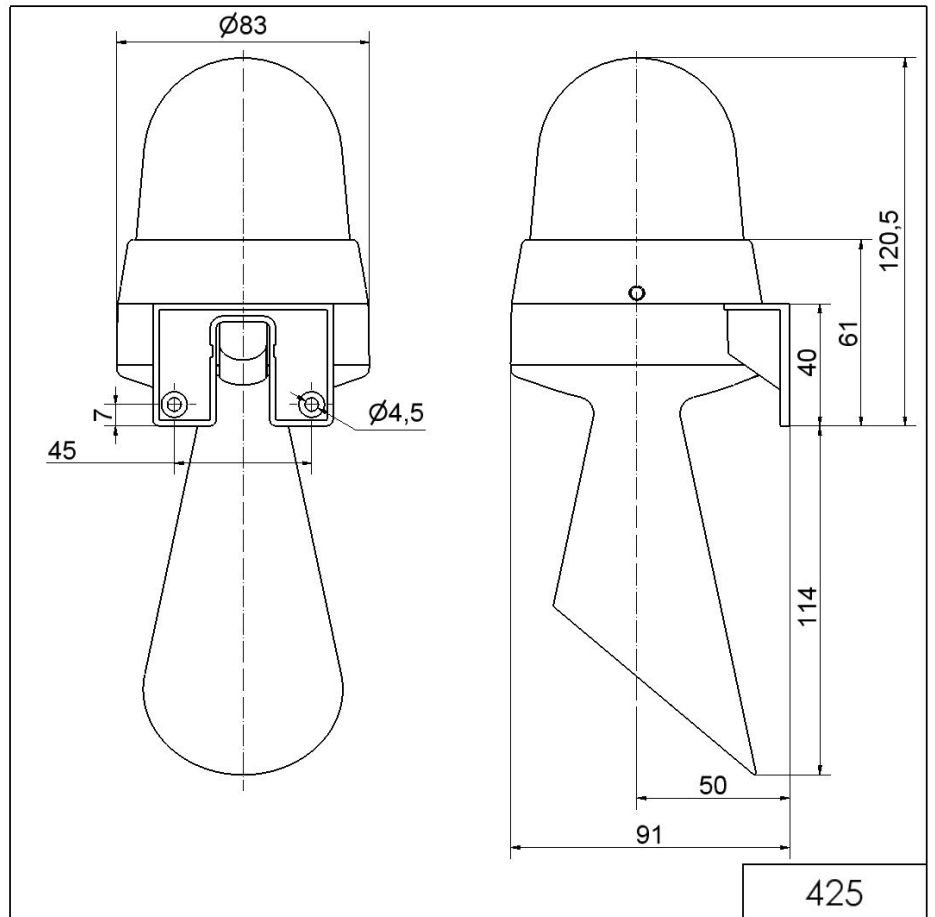
! For additional installation and mounting information, refer to the appropriate user guide at [www.werma.com](http://www.werma.com). This printed copy is for information only and is subject to alteration.

Mini / Flash/Horn 425

**Horn/Flash Comb. WM Contin. tone 230VAC**

| ACUSTICAL DATA                |                 |
|-------------------------------|-----------------|
| Volume/dB(max) at 1m distance | 98,0 dB (A)     |
| Acoustic signal image         | Continuous tone |
| Audio frequency               | 110 Hz          |

**DRAWING**



! For additional installation and mounting information, refer to the appropriate user guide at [www.werma.com](http://www.werma.com). This printed copy is for information only and is subject to alteration.