

Midi / LED/Flash/EVS/Horn 435

**LED Horn WM Contin. tone 115-230VAC RD**



Part No.: 435.100.60



| MECHANICAL DATA              |                              |
|------------------------------|------------------------------|
| Length                       | 144 mm                       |
| Width                        | 134 mm                       |
| Height                       | 407 mm                       |
| Diameter                     | 134 mm                       |
| Materials                    | PC<br>PC/ABS                 |
| Dome colour                  | Red                          |
| Housing colour               | Grey                         |
| Protection category          | IP65                         |
| Connection                   | Screw terminals              |
| cross-sectional area maximum | 1,50mm <sup>2</sup> / 16AWG  |
| Cable entry                  | Membrane grommet             |
| Cable entry minimum          | d = 1 mm                     |
| Cable entry maximum          | d = 13 mm                    |
| Tension relief               | Present (conforms to VDI)    |
| Type of fixing               | Wall mounting                |
| Service life optical         | 50,000 h maximum             |
| Acoustic service life        | 5,000 h minimum              |
| Working temperature minimum  | -30°C                        |
| Working temperature maximum  | +50°C                        |
| UL Type Rating               | Type 12                      |
| Weight with packaging        | 778 g                        |
| Product weight               | 661 g                        |
| ELECTRICAL DATA              |                              |
| Operating voltage            | 115-230V                     |
| Operating voltage type       | AC                           |
| Operating voltage frequency  | 50Hz at 230V<br>60Hz at 115V |
| Operating voltage tolerance  | +/- 10%                      |
| Rated operational voltage    | 230 VAC                      |
| Rated operational current    | 110 mA                       |
| Rated inrush current         | 650 mA                       |
| Protection class             | Protection class 2           |
| Pollution degree             | 3                            |
| Overvoltage category         | II                           |
| Isolation voltage            | Ui = 250V; Uimp = 2.500V     |
| OPTICAL DATA                 |                              |

! For additional installation and mounting information, refer to the appropriate user guide at [www.werma.com](http://www.werma.com). This printed copy is for information only and is subject to alteration.

Midi / LED/Flash/EVS/Horn 435

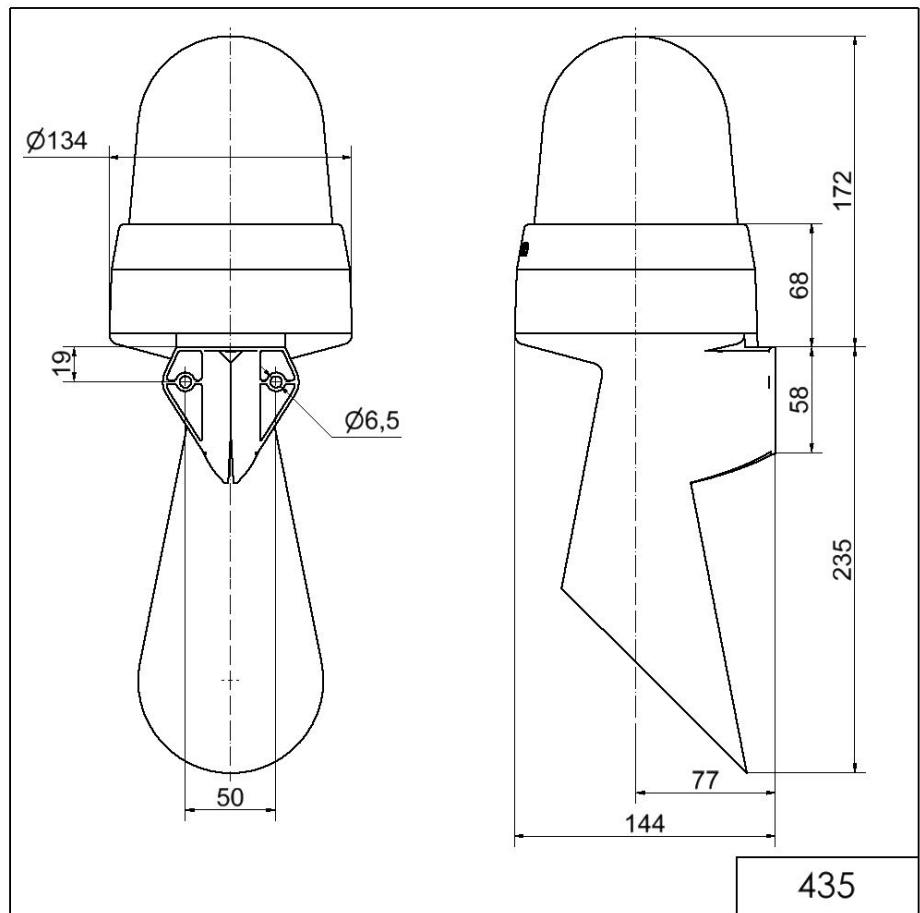
**LED Horn WM Contin. tone 115-230VAC RD**

|                      |                           |
|----------------------|---------------------------|
| Light source         | LED                       |
| Light colour         | Red                       |
| Optical signal image | EVS<br>Flash<br>Permanent |

**ACUSTICAL DATA**

|                               |                 |
|-------------------------------|-----------------|
| Volume/dB(max) at 1m distance | 108,0 dB (A)    |
| Acoustic signal image         | Continuous tone |
| Audio frequency               | 110 Hz          |

**DRAWING**



For additional installation and mounting information, refer to the appropriate user guide at [www.werma.com](http://www.werma.com). This printed copy is for information only and is subject to alteration.