

Design / LED Double Flash/Multi-Tone Sounder 444
LED Flash/Sounder BWM 32 tne 230VAC RD



Part No.: 444.100.68



| MECHANICAL DATA | |
|------------------------------|--------------------------------|
| Length | 112 mm |
| Width | 109 mm |
| Height | 150 mm |
| Materials | PC PC/ABS |
| Dome colour | Red |
| Housing colour | Black |
| Protection category | IP65 |
| Connection | Spring-type terminal |
| cross-sectional area maximum | 2,50mm ² / 14AWG |
| Cable entry | Membrane grommet |
| Cable entry minimum | d = 1 mm |
| Cable entry maximum | d = 13 mm |
| Type of fixing | Base mounting Wall mounting |
| Service life optical | 50,000 h maximum |
| Acoustic service life | 5,000 h minimum |
| Working temperature minimum | -30°C |
| Working temperature maximum | +50°C |
| Weight with packaging | 540 g |
| Product weight | 470 g |
| ELECTRICAL DATA | |
| Operating voltage | 230V |
| Operating voltage type | AC |
| Operating voltage frequency | 50Hz |
| Operating voltage tolerance | +/- 10% |
| Rated operational voltage | 230 VAC |
| Rated operational current | 30 mA |
| Rated inrush current | 500 mA |
| Protection class | Protection class 2 |
| Pollution degree | 3 |
| Overvoltage category | II |
| Isolation voltage | Ui = 250V; Uimp = 2.500V |
| OPTICAL DATA | |
| Light source | LED |
| Light colour | Red |
| Optical signal image | Flash |

! For additional installation and mounting information, refer to the appropriate user guide at www.werma.com. This printed copy is for information only and is subject to alteration.

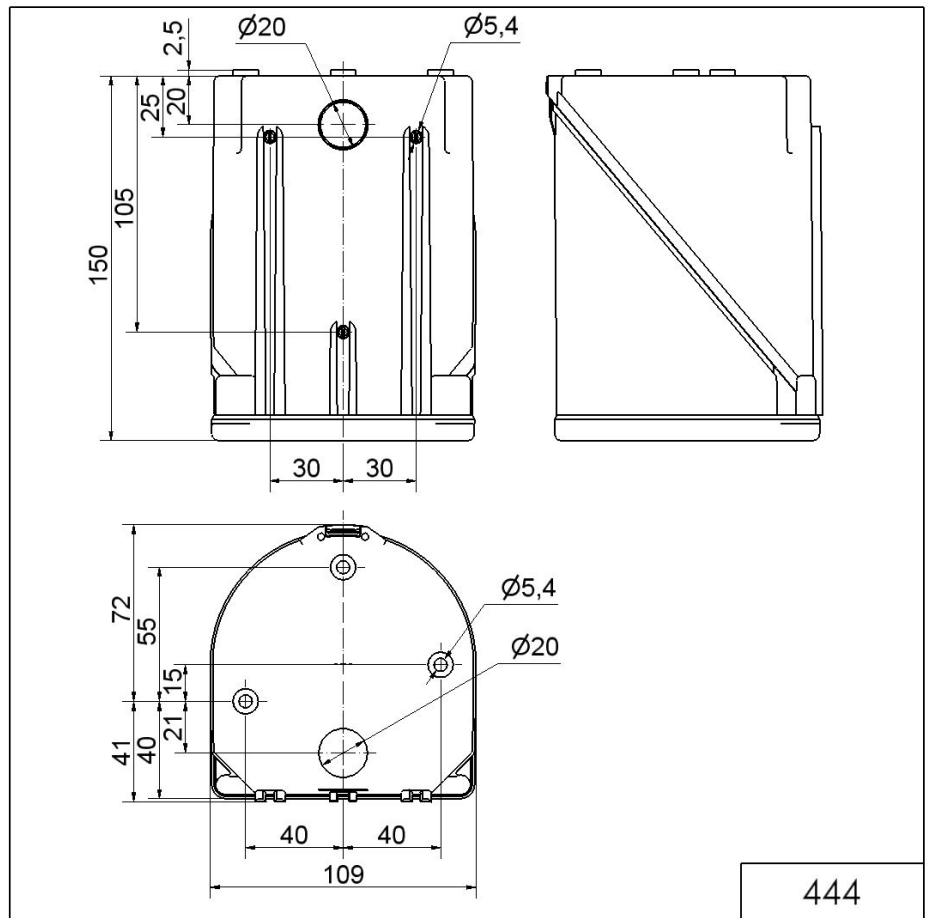
Design / LED Double Flash/Multi-Tone Sounder 444
LED Flash/Sounder BWM 32 tne 230VAC RD

| | |
|-----------------|------|
| Flash frequency | 1 Hz |
| Flash output | 2 J |

ACUSTICAL DATA

| | |
|-------------------------------|--------------|
| Volume/dB(max) at 1m distance | 114,0 dB (A) |
| Acoustic signal image | Multi-tone |
| Number of tones | 32 tone |

DRAWING



444



For additional installation and mounting information, refer to the appropriate user guide at www.werma.com. This printed copy is for information only and is subject to alteration.