

Design / LED Double Flash/Multi-Tone Sounder 444  
**LED Flash/Sounder BWM 32 tne 115VAC YE**

 reddot design award  
 honourable mention 2009

**Part No.:** 444.300.67

**MECHANICAL DATA**

Length	112 mm
Width	109 mm
Height	150 mm
Materials	PC PC/ABS
Dome colour	Yellow
Housing colour	Black
Protection category	IP65
Connection	Spring-type terminal
cross-sectional area maximum	2,50mm <sup>2</sup> / 14AWG
Cable entry	Membrane grommet
Cable entry minimum	d = 1 mm
Cable entry maximum	d = 13 mm
Type of fixing	Base mounting Wall mounting
Service life optical	50,000 h maximum
Acoustic service life	5,000 h minimum
Working temperature minimum	-30°C
Working temperature maximum	+50°C
Weight with packaging	543 g
Product weight	473 g

**ELECTRICAL DATA**

Operating voltage	115V
Operating voltage type	AC
Operating voltage frequency	60Hz
Operating voltage tolerance	+/- 10%
Rated operational voltage	115 VAC
Rated operational current	55 mA
Rated inrush current	500 mA
Protection class	Protection class 2
Pollution degree	3
Overvoltage category	II
Isolation voltage	Ui = 250V; Uimp = 2.500V

**OPTICAL DATA**

Light source	LED
Light colour	Yellow
Optical signal image	Flash

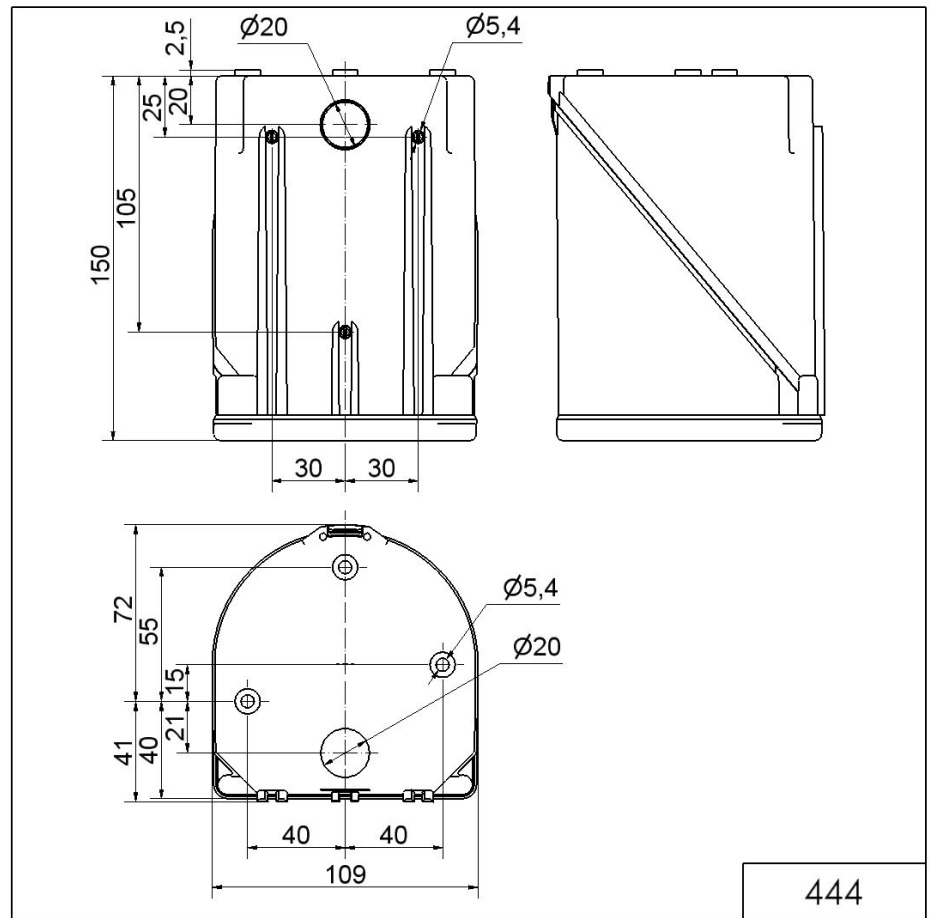

 For additional installation and mounting information, refer to the appropriate user guide at [www.werma.com](http://www.werma.com). This printed copy is for information only and is subject to alteration.

Design / LED Double Flash/Multi-Tone Sounder 444  
**LED Flash/Sounder BWM 32 tne 115VAC YE**

Flash frequency	1 Hz
Flash output	2 J

ACUSTICAL DATA	
Volume/dB(max) at 1m distance	114,0 dB (A)
Acoustic signal image	Multi-tone
Number of tones	32 tone

**DRAWING**



444



For additional installation and mounting information, refer to the appropriate user guide at [www.werma.com](http://www.werma.com). This printed copy is for information only and is subject to alteration.