

Mini / EvoSIGNAL

Mini TwinFLASH Combi 115-230VAC BU

Part No.:	460.520.60
Series:	EvoSIGNAL Mini



MECHANICAL DATA	
Height	85 mm
Diameter	62 mm
Materials	PC PC/ABS
Dome colour	Blue
Housing colour	Grey
Protection category	IP66
Connection	Push-in terminal
cross-sectional area minimum	0,25mm ² / 24AWG
cross-sectional area maximum	1,50mm ² / 16AWG
Type of fixing	Wall mounting
Service life optical	50,000 h minimum
Acoustic service life	5,000 h minimum
Working temperature minimum	-30°C
Working temperature maximum	+60°C
UL Type Rating	Type 12
Weight with packaging	100 g
Product weight	78 g

ELECTRICAL DATA	
Operating voltage	115-230V
Operating voltage type	AC
Operating voltage frequency	50Hz at 230V 60Hz at 115V
Operating voltage tolerance	+/- 10%
Rated operational voltage	230 VAC
Rated operational current	60 mA
Rated inrush current	2000 mA
Protection class	Protection class 2
Pollution degree	3
Overvoltage category	II
Isolation voltage	Ui = 250V; Uimp = 2.500V

OPTICAL DATA	
Light source	LED
Light colour	Blue
Optical signal image	EVS TwinFlash
Flash frequency	1 Hz

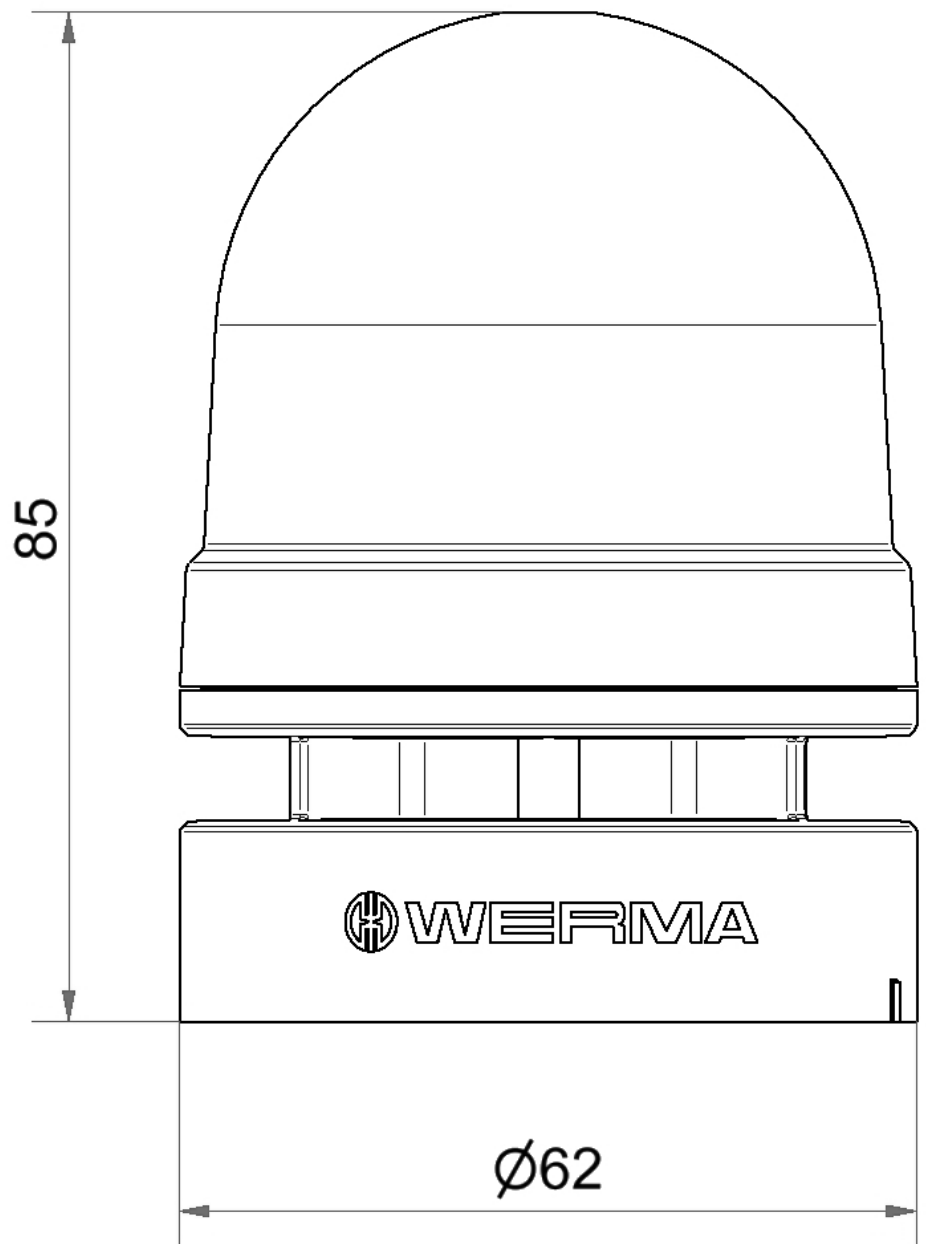


For additional installation and mounting information, refer to the appropriate user guide at www.werma.com. This printed copy is for information only and is subject to alteration.

Mini / EvoSIGNAL

Mini TwinFLASH Combi 115-230VAC BU**ACUSTICAL DATA**

Volume/dB(max) at 1m distance	95,0 dB (A)
Acoustic signal image	Continuous tone Pulse tone
Number of tones	2 tone
Audio frequency	4000 Hz

DRAWING

For additional installation and mounting information, refer to the appropriate user guide at www.werma.com. This printed copy is for information only and is subject to alteration.