

# SOUNDER 103 dB(A) IS-A105N



These sounders are used in workplaces where dangerous, explosive atmospheres are to be expected.

- Free selection of 49 different tones UK00A/PFEER conform.
- High sound pressure level of 103 dB (A), can be reduced by up to 15 dB(A) via a potentiometer.
- Up to 2 tones can be selected externally in order to signal different alarms.
- Works on DC voltages between 10 and 28 V DC, rated voltage 24 V DC.
- Can also be used outdoors thanks to housing made of self-extinguishing ABS and IP 66 protection system.
- Categories 1G, 2G and 3G (Zones 0, 1 and 2).



protection system

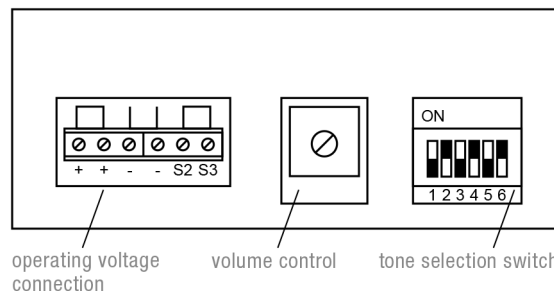
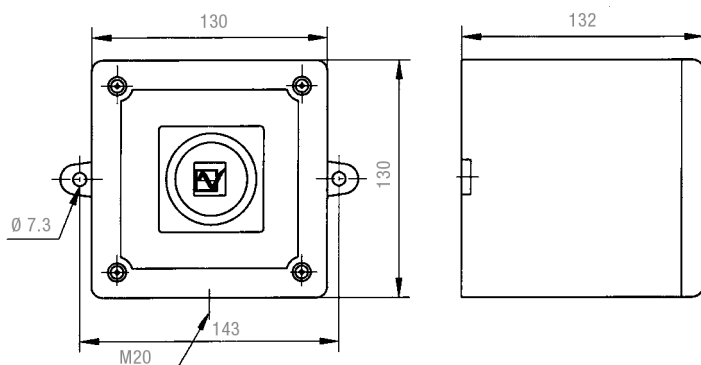


operating temperature

PRODUCT	IS-A105N
<b>DATA</b>	
Rated voltage	24 V DC
Operating range	10–28 V
Nominal current consumption	25 mA (typical for connection to 24 V DC via 28 V / 300 Ω zener barrier)
Type of protection	“ia” inherently safe
Explosion protection	II 1G Ex ia IIC T4 –40 °C ... +60 °C Ta
Category (area of use)	1G (Zone 0) / 2G (Zone 1) / 3G (Zone 2)
Certificate of conformity	SIRA 04 ATEX 2301 X
Testing body	SIRA
Sound pressure level	up to 103 dB(A) ±3 dB(A), can be reduced by up to 15 dB(A)
Sound pressure level @DIN-tone	up to 100 dB(A) ±3 dB(A), can be reduced by up to 15 dB(A)
Alarm tones	49 – can be set via DIP switch, of which 2 tones are externally selectable
Storage temperature	–40 °C ... +70 °C
Relative humidity	90 % @ +50 °C
Duty cycle	100 %
Material	ABS self-extinguishing, similar to UL 94 V0
Colour	similar to RAL 3000 (flame red), optionally grey RAL 7038 or white RAL 9010
Connecting terminals	0.5–2.5 mm <sup>2</sup>
Cable entry	20 mm
Weight	0.75 kg

Power must be connected via a zener barrier (max. 28 V DC, 93 mA DC, 0.66 W) or a galvanic isolator, specified by the system certificate.

## DIMENSIONS CONNECTION DIAGRAM



**STONE TABLE**

NO.	DESCRIPTION – FREQUENCY	STAGE		NO.	DESCRIPTION – FREQUENCY	STAGE			
		2	3			2	3		
1	Continuous tone 340 Hz		2	5	25	Sweeping 2900 Hz 2400 Hz		29	5
2	Alternating tone, UK BS5839-1 (fire alarm, railway crossing) 1000 Hz 800 Hz		17	5	26	Simulated bell 1450 Hz		2	15
3	Slow whoop, evacuation alarm Netherlands NEN 2575 1200 Hz 500 Hz		2	5	27	Continuous tone 800 Hz		26	5
4	Sweeping (fast) 1000 Hz 800 Hz		6	5	28	Continuous tone 440 Hz		2	5
5	Continuous tone 2400 Hz		3	20	29	Sweeping (fast), UK BS5839-1 1000 Hz 800 Hz		7	5
6	Sweeping 2900 Hz 2400 Hz		7	5	30	Continuous tone 300 Hz		2	5
7	Sweeping (fast) 2900 Hz 2400 Hz		10	5	31	Sweeping 1200 Hz 660 Hz		26	5
8	Sweeping 1200 Hz 500 Hz		2	5	32	2-tone bell sound 800 Hz 650 Hz		26	15
9	Sawtooth, DIN-Ton 33404-3 Germany (emergency signal), PFEER PTAP 1200 Hz 500 Hz		15	2	33	Interrupted tone 745 Hz		2	5
10	Alternating tone 2900 Hz 2400 Hz		7	5	34	Alternating tone, Singapore 2000 Hz 1000 Hz		38	45
11	Interrupted tone 1000 Hz		2	5	35	Interrupted tone, Australian alert 420 Hz		35	5
12	Alternating tone 1000 Hz 800 Hz		4	5	36	Sweeping, IMO 3d, Germany KTA3901 evacuation alarm 1200 Hz 500 Hz		35	3
13	Interrupted tone 2400 Hz		15	5	37	Continuous tone 1000 Hz		9	45
14	Interrupted tone 800 Hz		4	5	38	Continuous tone 2000 Hz		34	45
15	Continuous tone 800 Hz		2	5	39	Interrupted tone 800 Hz		23	17
16	Interrupted tone 660 Hz		18	5	40	Alternating tone, France NFS 32-001 (fire alarm) 554 Hz 440 Hz		31	27
17	Alternating tone, France NFS 32-001 (fire alarm) 554 Hz 440 Hz		2	27	41	Motor siren 1200 Hz 800 Hz		2	5
18	Interrupted tone, Sweden SS031711 (air raid warning) 660 Hz		2	5	42	Motor siren 800 Hz		2	5
19	Sweeping, France NFC48-265 1600 Hz 1400 Hz		2	5	43	Continuous tone, PFEER gas alarm 1200 Hz		2	5
20	Continuous tone, Sweden SS031711 (all-clear signal) 660 Hz		2	5	44	Motor siren 2400 Hz		2	5
21	Alternating tone 554 Hz 440 Hz		2	5	45	Interrupted tone, PFEER (general alarm) 1000 Hz		38	34
22	Interrupted tone 554 Hz		2	5	46	Sawtooth, DIN-Ton 33404-3 Germany (emergency signal) 1200 Hz 500 Hz		47	37
23	Interrupted tone 800 Hz		6	5	47	Interrupted tone, PFEER (general alarm) 1000 Hz		46	37
24	Sweeping (medium), UK BS5839-1 1000 Hz 800 Hz		29	5	48	Interrupted tone, Australia AS2220, AS1610, AS1670 420 Hz		49	5
					49	Sweeping, IMO 3d, Germany KTA3901 evacuation alarm 1200 Hz 500 Hz		26	37

<b>ARTICLE NO.</b>	<b>IS-A105N</b>
<b>24 V DC</b>	32033800000

**MANUFACTURER'S DECLARATION**

Developed and manufactured in accordance with EN 50014 (general requirements), EN 50020 (intrinsically safety), EMC Directive 89/336/EEC.