

IS-MINI SOUNDER 102 dB(A) IS-mA1



Very economical acoustic alarm.

- Certified for use in Ex-Zones 0, 1 and 2!
- Compact design with a diameter of just 88 m.
- Sounder operated via certified zener barriers or galvanic isolators.
- 49 loud tones at 102 dB(A).
- Very well suited for fire alarm systems and direct control due to low power consumption.
- Self-synchronising sounder for clear tone perception.
- 2 different externally controllable tones.
- Volume control.
- Also available as mining-certified device (IM1 EEx ia).



protection system

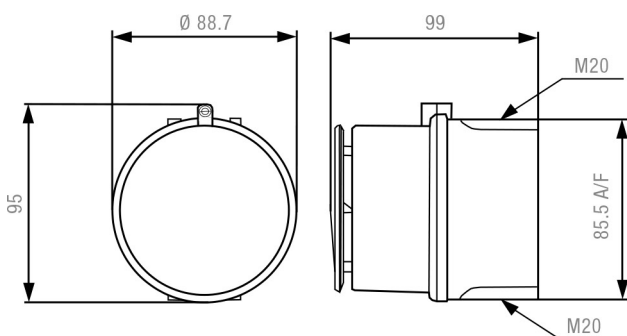


operating temperature

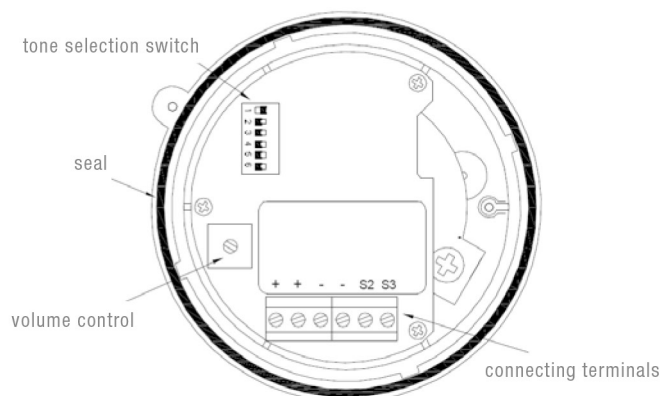
PRODUCT	IS-mA1
DATA	
Rated voltage	24 V DC
Operating range	16–28 V
Nominal current consumption	25 mA (typical for connection to 24 V DC via 28 V / 300 Ω zener barrier)
Type of protection	“ia” inherently safe
Explosion protection	II 1G EEx ia IIC T4 –40 °C ... +60 °C Ta
Category (area of use)	1G (Zone 0) / 2G (Zone 1) / 3G (Zone 2)
Certificate of conformity	SIRA 05 ATEX2084 X
Testing body	SIRA
Sound pressure level	102 dB(A)
Sound pressure level @DIN-tone	98 dB(A)
Sound level reduction	by –20 dB
Storage temperature	–40 °C ... +70 °C
Relative humidity	90 %
Protection system (EN 60529)	IP 65
Duty cycle	100 %
Material	ABS, self-extinguishing UL94V0 & 5VA, similar to RAL 3000 (flame red)
Connecting terminals	0.5–2.5 mm ²
Cable entry	2x M20 (knock-outs prepared)
Weight	230 g

Power must be connected via a zener barrier (max. 28 V DC, 93 mA DC, 0.66 W) or a galvanic isolator, specified by the system certificate.

DIMENSIONS



CONNECTION DIAGRAM



STONE TABLE

NO.	DESCRIPTION – FREQUENCY	STAGE		NO.	DESCRIPTION – FREQUENCY	STAGE	
		2	3			2	3
1	Continuous tone 340 Hz			2	5		
2	Alternating tone, UK BS5839-1 (fire alarm, railway crossing) 1000 Hz 800 Hz			17	5		
3	Slow whoop, evacuation alarm Netherlands NEN 2575 1200 Hz 500 Hz			2	5		
4	Sweeping (fast) 1000 Hz 800 Hz			6	5		
5	Continuous tone 2400 Hz			3	20		
6	Sweeping 2900 Hz 2400 Hz			7	5		
7	Sweeping (fast) 2900 Hz 2400 Hz			10	5		
8	Sweeping 1200 Hz 500 Hz			2	5		
9	Sawtooth, DIN-Ton 33404-3 Germany (emergency signal), PFEER PTAP 1200 Hz 500 Hz			15	2		
10	Alternating tone 2900 Hz 2400 Hz			7	5		
11	Interrupted tone 1000 Hz			2	5		
12	Alternating tone 1000 Hz 800 Hz			4	5		
13	Interrupted tone 2400 Hz			15	5		
14	Interrupted tone 800 Hz			4	5		
15	Continuous tone 800 Hz			2	5		
16	Interrupted tone 660 Hz			18	5		
17	Alternating tone, France NFS 32-001 (fire alarm) 554 Hz 440 Hz			2	27		
18	Interrupted tone, Sweden SS031711 (air raid warning) 660 Hz			2	5		
19	Sweeping, France NFC48-265 1600 Hz 1400 Hz			2	5		
20	Continuous tone, Sweden SS031711 (all-clear signal) 660 Hz			2	5		
21	Alternating tone 554 Hz 440 Hz			2	5		
22	Interrupted tone 554 Hz			2	5		
23	Interrupted tone 800 Hz			6	5		
24	Sweeping (medium), UK BS5839-1 1000 Hz 800 Hz			29	5		
25	Sweeping 2900 Hz 2400 Hz			29	5		
26	Simulated bell 1450 Hz			2	15		
27	Continuous tone 800 Hz			26	5		
28	Continuous tone 440 Hz			2	5		
29	Sweeping (fast), UK BS5839-1 1000 Hz 800 Hz			7	5		
30	Continuous tone 300 Hz			2	5		
31	Sweeping 1200 Hz 660 Hz			26	5		
32	2-tone bell sound 800 Hz 650 Hz			26	15		
33	Interrupted tone 745 Hz			2	5		
34	Alternating tone, Singapore 2000 Hz 1000 Hz			38	45		
35	Interrupted tone, Australian alert 420 Hz			35	5		
36	Sweeping, IMO 3d, Germany KTA3901 evacuation alarm 1200 Hz 500 Hz			35	3		
37	Continuous tone 1000 Hz			9	45		
38	Continuous tone 2000 Hz			34	45		
39	Interrupted tone 800 Hz			23	17		
40	Alternating tone, France NFS 32-001 (fire alarm) 554 Hz 440 Hz			31	27		
41	Motor siren 1200 Hz 800 Hz			2	5		
42	Motor siren 800 Hz			2	5		
43	Continuous tone, PFEER gas alarm 1200 Hz			2	5		
44	Motor siren 2400 Hz			2	5		
45	Interrupted tone, PFEER (general alarm) 1000 Hz			38	34		
46	Sawtooth, DIN-Ton 33404-3 Germany (emergency signal) 1200 Hz 500 Hz			47	37		
47	Interrupted tone, PFEER (general alarm) 1000 Hz			46	37		
48	Interrupted tone, Australia AS2220, AS1610, AS1670 420 Hz			49	5		
49	Sweeping, IMO 3d, Germany KTA3901 evacuation alarm 1200 Hz 500 Hz			26	37		

ARTICLE NO.	IS-mA1
Rated voltage	24 V DC
	32034800000