

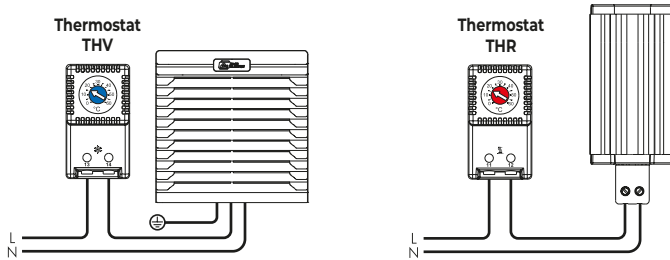


## THV - THR

### THERMOSTATS

Compact Thermostat for DIN 35 mm rail mounting. Based on bimetallic junction, provides high capacity NO or NC contact. Two versions available.

THVx	NO Contact		Typically used for controlling ventilation devices
THRx	NC Contact		Typically used for controlling heaters

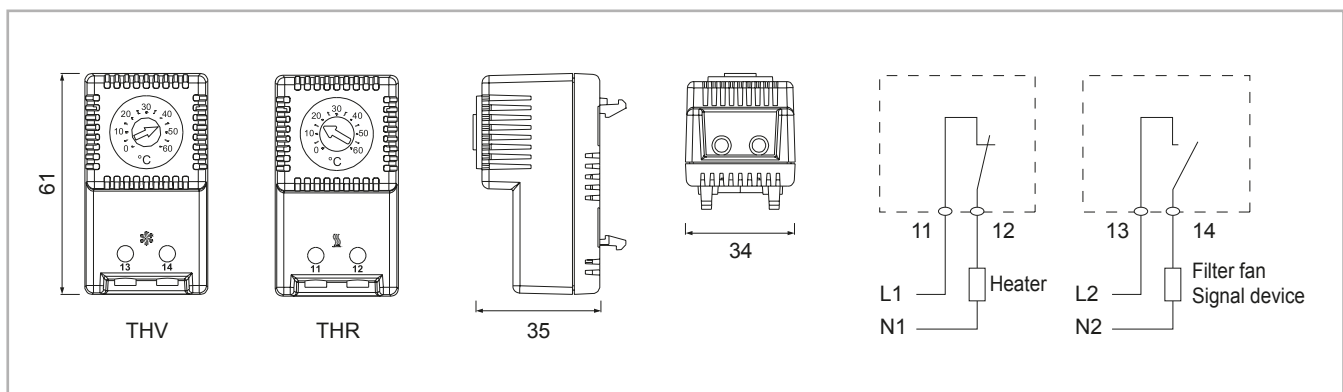


FEATURES	Unit	THR1	THR2	THR3	THV1	THV2	THV3
Contact function	-	NC	NC	NC	NO	NO	NO
Temperature setting range	°C	-10 / +50	0 / +60	+20 / +80	-10 / +50	0 / +60	+20 / +80
Precision	°C	±4					
Hysteresis	°C	7					
Max switching current							
250Vac resistive load (inductive load)	A	10 (1.6)					
125Vac resistive load (inductive load)	A	15 (2.5)					
Max. switching power in Vdc	W	30					
Temperature sensor type	-	Thermostatic bimetal					
Contact type	-	Snap action					
Contact resistance	mOhm	< 10					
Service life	cycles	> 100 000					
Electrical connections	-	2-pole terminal for 2.5 mm <sup>2</sup> wire					
Casing	-	PA6, UL94 V0 self-extinguishing, light grey RAL 7035					
Protection degree EN60529	-	IP20					
Operating temperature	°C (°F)	-25 / +80 (-13 / +176)					
Storage temperature	°C (°F)	-45 / +80 (-49 / +176)					
Mounting	-	Clip for mounting on DIN rail 35 mm EN50022					
Installation position	-	Variable					
Conformity/Certifications	-	CE-UL  us File n. E348803					
Dimensions HxWxD	mm	61x34x35					
Weight (with packaging)	kg	0.048 (0.055)					

#### Accessories

DIN rail bracket

GUIDADINPL



Specifications, values and drawings are subject to change without notice.