

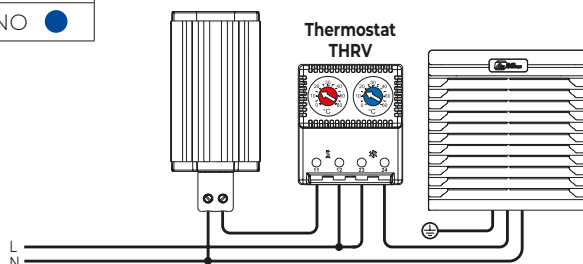


THR - THVV

DOUBLE-THERMOSTATS

Compact double thermostat for DIN 35 mm rail mounting. Based on bimetallic junction, provide high capacity and separated NO and NC contacts in different combinations. Three versions available.

THRVI3	NC	NO
THR22	NC	NO
THVV22	NO	NO

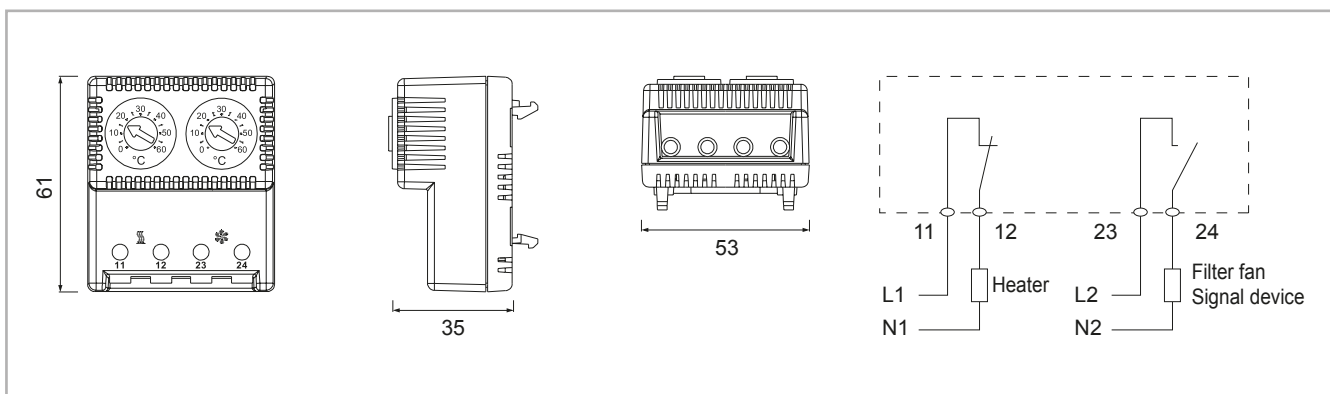


FEATURES	Unit	THRVI3		THR22		THVV22	
Contact function	-	NC	NO	NC	NO	NO	NO
Temperature setting range	°C	-10 / +50	+20 / +80	0 / +60	0 / +60	0 / +60	0 / +60
Precision	°C	±4					
Hysteresis	°C	7					
Max switching current							
250Vac resistive load (inductive load)	A	10 (1.6)					
125Vac resistive load (inductive load)	A	15 (2.5)					
Max. switching power in Vdc	W	30					
Temperature sensor type	-	Thermostatic bimetal					
Contact type	-	Snap action					
Contact resistance	mOhm	< 10					
Service life	cycles	> 100 000					
Electrical connections	-	2-pole terminal for 2.5 mm ² wire					
Casing	-	PA6, UL94 V0 self-extinguishing, light grey RAL 7035					
Protection degree EN60529	-	IP20					
Operating temperature	°C (°F)	-25 / +80 (-13 / +176)					
Storage temperature	°C (°F)	-45 / +80 (-49 / +176)					
Mounting	-	Clip for mounting on DIN rail 35 mm EN50022					
Installation position	-	Variable					
Conformity/Certifications	-	CE-UL c us File n. E348803					
Dimensions HxWxD	mm	61x53x35					
Weight (with packaging)	kg	0.080 (0.09)					

Accessories

DIN rail bracket

GUIDADINPL



Specifications, values and drawings are subject to change without notice.