



ALFA25 - ALFA26



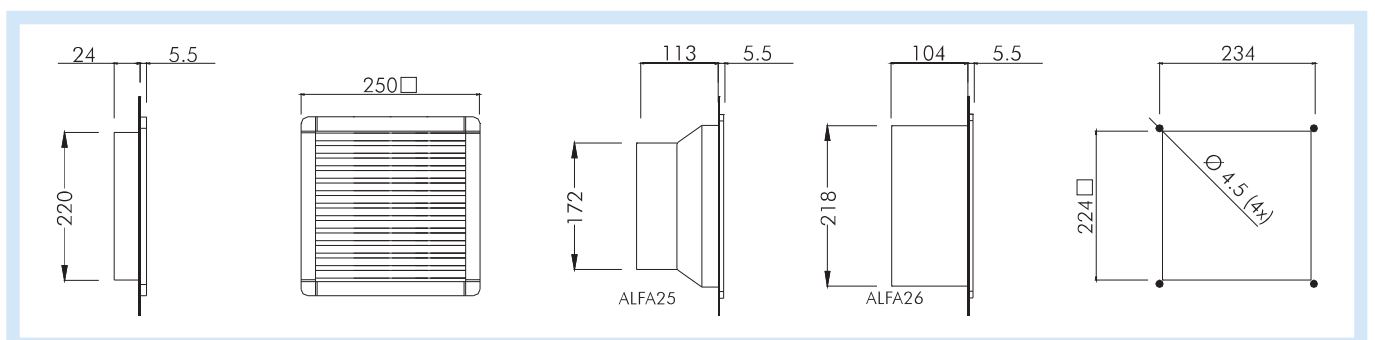
Features	Unit	ALFA2000BPB	ALFA2500BPB	ALFA2510BPB	ALFA2524BPTB	ALFA2548BPTB	ALFA2600BPB	ALFA2610BPB	ALFA2640BPB
Air flow rate (free blow)	m ³ /h	-	230(260)	230	230	370(400)			
Flow rate with exit filter	m ³ /h	-	180(210)	180	180	250(270)			
Power supply	V/Hz	-	230/50-60	115/50-60	24DC	48DC	230/50-60	115/50-60	400/50-60
Dimensions HxWxD	mm	250x250x30	250x250x119			250x250x110			
Power consumption	W	-	40(38)	26	33	70(90)	60(70)		
Current consumption	A	-	0.17(0.16)	0.34(0.32)	1.08	0.68	0.40(0.38)	0.80(0.76)	0.18(0.15)
Overcurrent protection	-	-	thermal		impedance		thermal		
Electric connection	-	-	3-pole terminal 2.5 mm ²				4-pole terminal 1.5 mm ²		
Duty cycle	-	-	100%						
Operating temperature	°C	-	-10/+70						
Protection degree/class	-	IP54	IP54/Class I						
Noise level	dB(A)	-	53(58)	61	65(68)				
Flow direction	-	-	outside-in						
Bearing	-	-	ball						
Filter mat (Eurovent)	-	-	EU3						
Service life (at 40°C)	hr	-	50,000						
Material	-	-	ABS UL94V-0 Color RAL7035						
Wall thickness	mm	-	1.2-2.4						
Gasket	-	-	self-adhesive						
Weight (with packaging)	kg	0.42(0.52)	1.60(1.80)	1.20(1.40)	2.50(2.70)				
Package dimensions	mm	270x270x40	270x270x140						
Mounting	-	-	Fast Clip-on						
Conformity/Approvals	-	-	CE						

Versions

UL File n. E301228	ALFA2000BPUB	ALFA2500BPUB	ALFA2510BPUB	ALFA2524BPTUB	ALFA2548BPTUB	ALFA2600BPUB	ALFA2610BPUB	-
RAL7032 - Gray - Code ending	delete B							
RAL9005 - Black - Code ending	delete B, add N (available on request)							
EMC - Code ending	M							
Reverse flow - Code ending	-							PR

Accessories

Filter mat, standard type	ALFAFBP20							
Filter mat, high efficiency	ALFAFBP20X							
Thermostat 0-60°C, NO contact	-							THV2
Fan speed controller	-							FSC
Hood for IP55	CUFF20B							



ael-cat-efr-15.01 - Specifications, values and drawings are subject to change without notice.