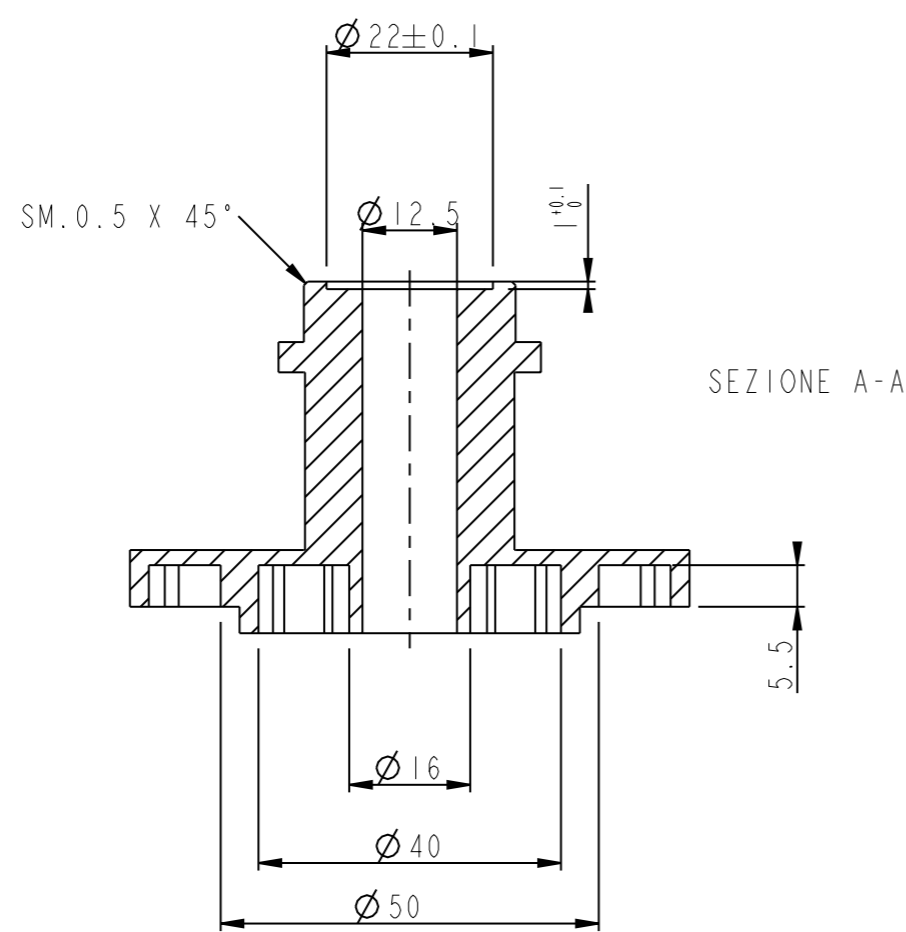
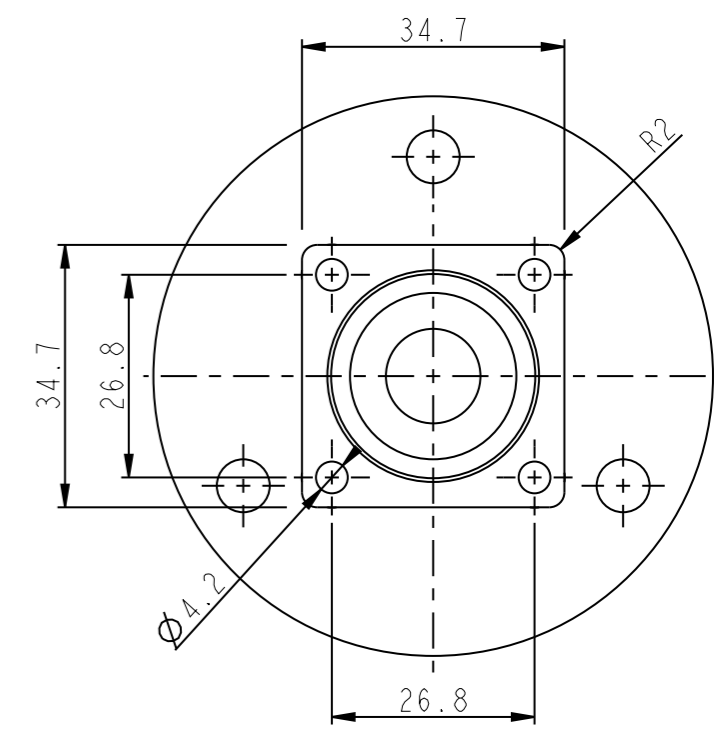
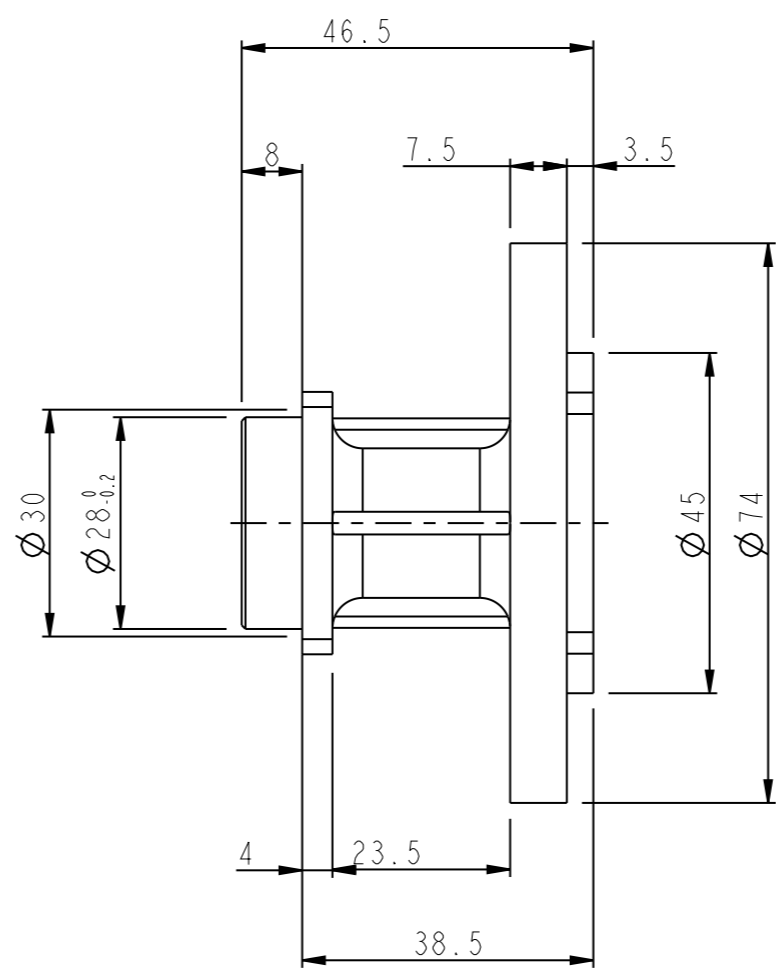
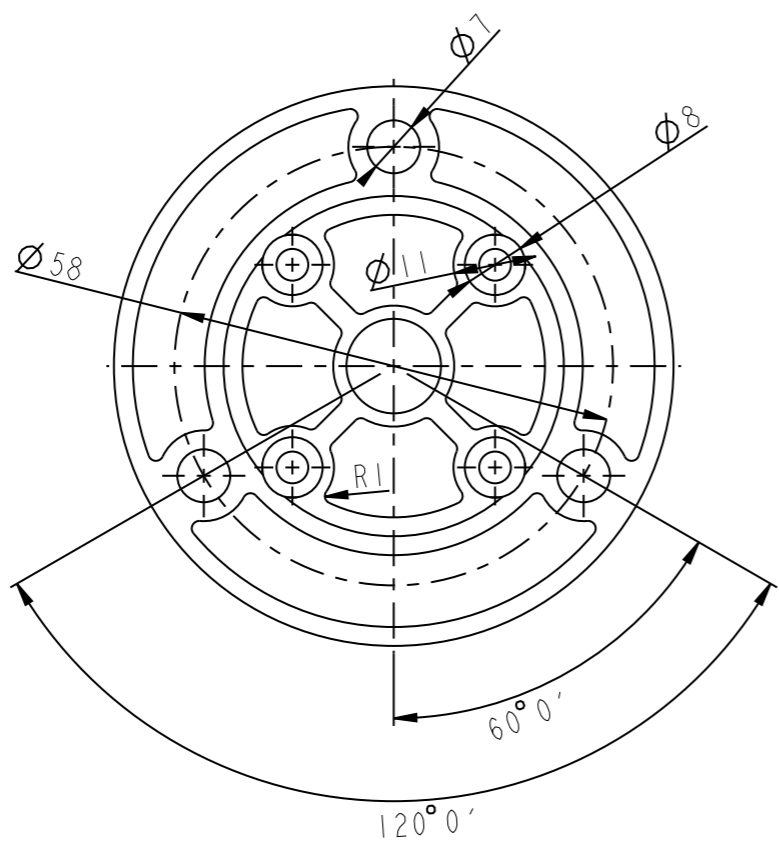


SEZIONE B-B



SEZIONE A-A

EDIZIONE EDITION	DATA DATE	MOD. MODIFIED	FIRMA SIGNATURE	MODIFICA / MODIFICATION	PRESCRIZIONE DI ISPEZIONE PRESCRIPTION OF INSPECTION	LIVELLO LEVEL	AQL																								
01	02-07-10	MAGNI	<i>[Signature]</i>	ELIMINATO FRESATURA 25X15 -AGGIUNTO LAMATURA 22 X 1 ERASED MILLING 25X15 - ADDED COUNTERBORE 22X1	Visivo Visual	I	25																								
-	-	-	-	-	Quota critica Critique Dimension	II	1																								
-	-	-	-	-	Altre quote Other Dimensions	I	25																								
GIOVENZANA INTERNATIONAL B.V. Strawinskylaan 1105 1077 XX Amsterdam - NL				FINITURA / FINISH -- MATERIALE / MATERIAL PA6 30/FV --																											
DENOMINAZIONE / DESCRIPTION <b>FLANGIA FINECORSO FGR</b> <b>FLANGE LIMIT SWITCH FGR</b>					SCALA/SCALE 1000	DATA/DATE 15-02-00																									
DIM. INGOMBRO L x H x P 47.0 x 74.0 x 0.0					PESO / WEIGHT 0.037	STAMPO / MOULD N° ST 1313	AVANZAMENTO/STATUS ESECUTIVO																								
Tolleranza Tolerance					Disegno / Drawing N° <b>FLG</b>		REVISION 01																								
<table border="1"> <thead> <tr> <th colspan="8">Dimensioni Nominali / Nominal Dimensions</th> </tr> <tr> <th>&gt;0,5</th> <th>&gt;6</th> <th>&gt;30</th> <th>&gt;120</th> <th>&gt;315</th> <th>&gt;1000</th> <th>&gt;2000</th> <th>&gt;4000</th> </tr> </thead> <tbody> <tr> <td>±0,05</td> <td>±0,1</td> <td>±0,2</td> <td>±0,5</td> <td>±0,8</td> <td>±1,2</td> <td>±2,0</td> <td>±3,0</td> </tr> </tbody> </table>					Dimensioni Nominali / Nominal Dimensions								>0,5	>6	>30	>120	>315	>1000	>2000	>4000	±0,05	±0,1	±0,2	±0,5	±0,8	±1,2	±2,0	±3,0			
Dimensioni Nominali / Nominal Dimensions																															
>0,5	>6	>30	>120	>315	>1000	>2000	>4000																								
±0,05	±0,1	±0,2	±0,5	±0,8	±1,2	±2,0	±3,0																								