



Ex emergency pull-wire switches

Ex ZS 71 10/1S WVD-3D 100 N

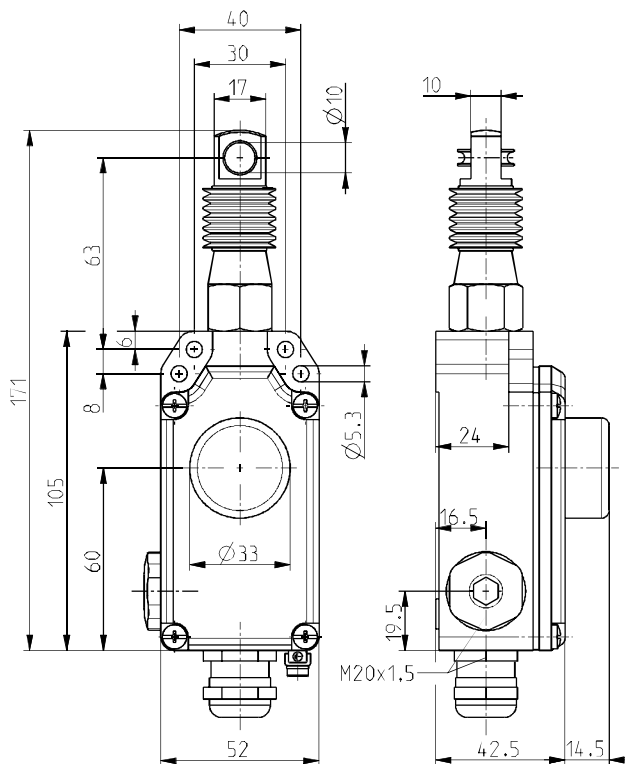
material number: 1189791 (old material number: 71042922)

Features/Options

- Ex zone 22
- Metal enclosure
- 2 contacts
- Small design

- Wire length up to 35 m
- Release by push button (VD)
- Wire pull and breakage detection
- Watertight collar W for protection against penetration of dirt

Dimensions



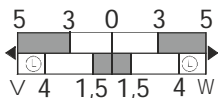
Technical data

Standards	EN 60947-5-5; EN 60079-0; EN 60079-31
Enclosure	aluminium die-cast, enamel finish
Cover	glass-fibre reinforced, shock-proof thermoplastic, ultramid
Degree of protection	IP 67 to IEC/EN 60529
Contact material	silver
Switching system	slow action, positive break NC contacts \ominus
Switching elements	change-over contact with double break
Connection	M3 plug-in connector
Cable section	min. 0.2 mm ² / max. 1.5 mm ²
B_{10d} (10 % Load)	200 000
T_M	max. 20 years
U_{imp}	4 kV
U_i	250 V
I_{the}	T6: 6 A
Utilisation category	AC-15; DC-13
I_e/U_e	6 A/250 VAC; 0.25 A/230 VDC
Max. fuse rating	6 A gG/gN fuse
Ambient temperature	T6: -20 °C ... +65 °C
Mechanical life	> 100 000 operations
Max. wire length	35 m
Features	wire pull and breakage detection
Ex marking	Ⓔ II 3D Ex tc IIIC T80 °C Dc IP67

Switching diagram

Slow action

1 NC/1 NO contact



Errors and omissions excepted.