



Ex emergency pull-wire switches

Ex ZS 80 1Ö/1S WVD-3D 3m

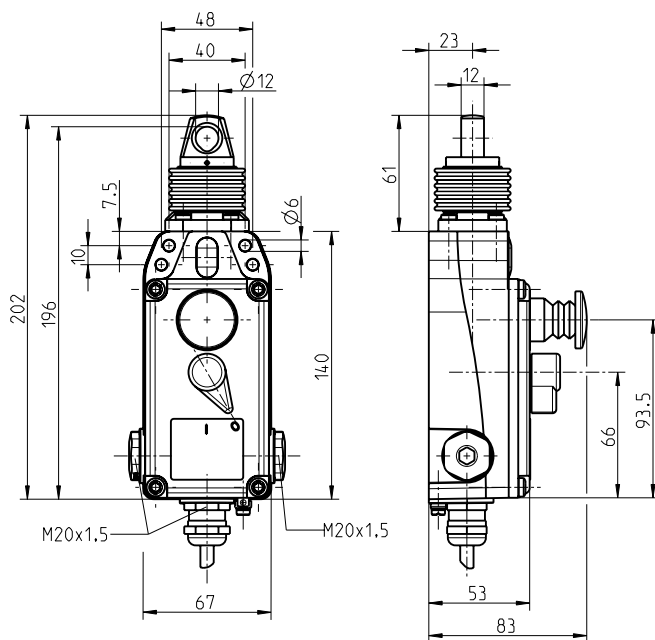
Material number: 1187285 (Material number (old): 72042303)

Features/Options

- Ex zone 1 and 21
- Metal enclosure
- 2 contacts
- Position indicator and integrated emergency-stop push-button
- Wire length up to 100 m

- Pretensioning force 100 N
- Lever for release and position indication
- Watertight collar
- Wire pull and breakage detection

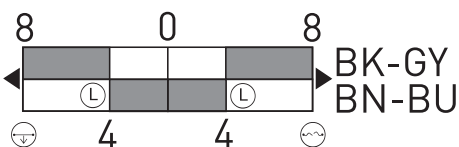
Dimensions



Technical data

Standards	EN 60947-5-1; EN 60079-0, EN 60079-31; EN ISO 13850; EN ISO 13849-1
Enclosure	aluminium die-cast, enamel finish
Cover	glass-fibre reinforced, shock-proof thermoplastic, ultramid
Switch insert	Ex 14
Degree of protection	IP 67 to IEC/EN 60529
Contact material	silver
Switching system	slow action, positive break NC contacts ⊖
Switching elements	1 NC/1 NO contact with double break
Connection	pre-wired cable H05VV-F
Cable cross-section	4 x 0.75 mm ² (incl. conductor ferrules)
Cable length	3 m
B_{10d} (10 % Load)	200 000
T_M	max. 20 years
U_{imp}	4 kV
U_i	250 V
I_{the}	T6: 6 A, T5: 3 A
Utilisation category	AC-15; DC-13
I_e/U_e	6 A/250 VAC; 0.25 A/230 VDC
Max. fuse rating	6 A gG/gN fuse
Ambient temperature	T6: -20 °C ... +65 °C, T5: -20 °C ... +90 °C
Mechanical life	> 100 000 operations
Max. wire length	100 m
Features	wire pull and breakage detection
Ex marking	⊕ II 3D Ex tc IIIC T80°C Dc IP67

Switching diagram



Note:

At 5 m distance intermediate wire supports are required. One wire thimble is provided.

Errors and omissions excepted.