



INNER DOOR STPO1

CHARACTERISTICS

Frame and door manufactured from 1.5 mm thick sheet steel.

PAINT FINISH

ETA standard epoxy polyester powder coating. Colour RAL 7035 textured finish.

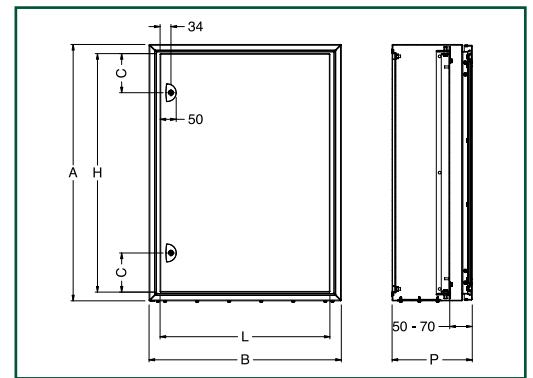
SUPPLY

Includes:

- frame
- door with \varnothing 3 mm double bar key locking system
- mounting accessories.

PROTECTION RATING

- external: as box (IP66)
- internal: IP2X.



Boxes

INNER DOOR

STPO1 CODE	BOX CODE		BOX DIMENSIONS			DOOR DIMENSIONS			NUMBER OF LOCKS
	ST	STP	B	A	P	L	H	C	
STPO145	ST4520	STP4520	400	500	200	330	444	222	1
STPO145	ST4525	STP4525	400	500	250	330	444	222	1
STPO146	ST4620	STP4620	400	600	200	330	544	272	1
STPO146	ST4625	STP4625	400	600	250	330	544	272	1
STPO157	ST5720	STP5720	500	700	200	430	644	322	1
STPO157	ST5725	STP5725	500	700	250	430	644	322	1
STPO164	ST6420	STP6420	600	400	200	530	344	172	1
STPO164	ST6430	STP6430	600	400	300	530	344	172	1
STPO168	ST6825	STP6825	600	800	250	530	744	122	2
STPO168	ST6830	STP6830	600	800	300	530	744	122	2
STPO1610	ST61025	STP61025	600	1000	250	530	944	122	2
STPO1610	ST61030	STP61030	600	1000	300	530	944	122	2
STPO1612	ST61230	STP61230	600	1200	300	530	1144	122	2
STPO1810	ST81030	STP81030	800	1000	300	730	944	122	2
STPO1812	ST81230	STP81230	800	1200	300	730	1144	122	2