

## TT CANOPY

### CHARACTERISTICS

Manufactured from 1.5 mm thick sheet steel.

### SUPPLY

Includes 1 piece with mounting accessories.

### PAINT FINISH

ETA standard epoxy polyester powder coating.  
Colour: RAL 7035 textured finish.

For outdoor applications ETA recommends double layer of special powder coating.

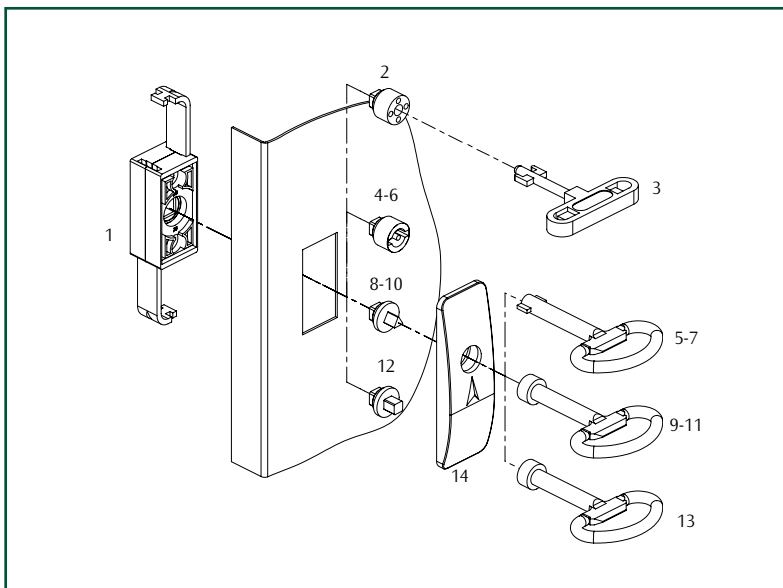


Boxes

## LOCKING SYSTEMS

WE CODE	REF.	DESCRIPTION
WE285	1	T HANDLE WITH KEYLOCK (IP65)
WE288	2	WING HANDLE WITH KEYLOCK (IP65)

Note: padlocking handle available on request.



## LOCKING SYSTEMS FOR DOUBLE DOOR BOXES WITH ROD MECHANISM

WE CODE	REF.	DESCRIPTION
WE010	1	ROD DRIVE
WE080	2	FIAT INSERT
WE210	3	FIAT KEY
WE030	4	ETA INSERT Ø 3 MM
WE160	5	ETA KEY Ø 3 MM
WE040	6	ETA INSERT Ø 5 MM
WE170	7	ETA KEY Ø 5 MM
WE050	8	INSERT $\nabla$ 7 MM
WE180	9	KEY $\nabla$ 7 MM
WE060	10	INSERT $\nabla$ 8 MM
WE190	11	KEY $\nabla$ 8 MM
WE070	12	INSERT $\nabla$ 7 MM
WE200	13	KEY $\nabla$ 7 MM
WE020	14	ETA COVER

## CANOPY TT

TT CODE	WIDTH	DEPTH
TT104	400	200
TT204	400	250
TT105	500	200
TT205	500	250
TT106	600	250
TT206	600	300
TT208	800	300