



## MBP 197575

Article No. 0201100800

Material: Polyester GRP

Protection class: IP66

MBP Enclosures are conform to the high standards required for applications within the mechanical engineering, shipbuilding, galvanic and petrochemical industry.

Besides good resistance to most solvents and acids, fibre glass reinforced Polyester is inflammable and self-extinguishing.

The enclosures are generally used as terminal enclosures or as command and information enclosures in chemically aggressive environments, such as refineries or road tunnels.



We would be glad to assist you!

### MULTI-BOX GmbH

Wallücker Bahndamm 7  
D-32278 Kirchlegern  
Tel. +49 (0)5223 49107-0

info@multi-box.com  
www.multi-box.com

### Dimensions and weight

|             |     |
|-------------|-----|
| Length (mm) | 190 |
| Width (mm)  | 75  |
| Height (mm) | 75  |
| Weight (g)  | 498 |

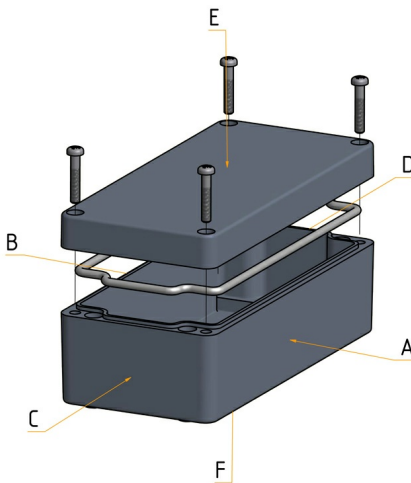
### Color information

|                         |            |
|-------------------------|------------|
| Color description cover | Light grey |
| RAL-code cover          | 7001       |
| Color description base  | Light grey |
| RAL-code base           | 7001       |

### Technical Drawings

|     |  |
|-----|--|
| PDF |  |
| DXF |  |
| 3D  |  |





We would be glad to assist you!

**MULTI-BOX GmbH**

Wallücker Bahndamm 7  
D-32278 Kirchlengern  
Tel. +49 (0)5223 49107-0

info@multi-box.com  
www.multi-box.com



**Material information**

|                    |                                     |
|--------------------|-------------------------------------|
| Material cover     | Polyester GRP                       |
| Material base      | Polyester GRP                       |
| Material sealing   | EPDM                                |
| Material screws    | Stainless Steel V2 A                |
| Silicone-free      | <input checked="" type="checkbox"/> |
| Halogen-free       | <input checked="" type="checkbox"/> |
| Material UL listed | <input checked="" type="checkbox"/> |
| UV-resistant       | <input checked="" type="checkbox"/> |

**Temperature resistance and application areas**

|  |                                     |
|--|-------------------------------------|
| Permanent operating temperature max. (°C)                      | 110                                 |
| Permanent operating temperature min. (°C)                      | -40                                 |
| Permanent operating temperature with special sealing max. (°C) | 140                                 |
| Permanent operating temperature with special sealing min. (°C) | -50                                 |
| Suitable for outdoor use                                       | <input checked="" type="checkbox"/> |
| Suitable for indoor use  | <input checked="" type="checkbox"/> |

**Technical specifications**


|  |                                     |
|--|-------------------------------------|
| Protection class IP                        | 66                                  |
| Norm of protection class                   | DIN EN 60529                        |
| Flame retardancy                           | V0                                  |
| UL-Subject                                 | UL 94                               |
| Fully insulated                            | <input checked="" type="checkbox"/> |
| Captive cover screws                       | <input checked="" type="checkbox"/> |
| Assembly tool                              | PZ2                                 |
| Tightening torque cover screws max. (Nm)   | 3.00                                |
| Tightening torque cover screws min. (Nm)   | 1.50                                |
| Tightening torque earthing screw max. (Nm) | 2.30                                |
| Tightening torque earthing screw min. (Nm) | 1.20                                |



### Modifications and Services

|                        |                                     |
|------------------------|-------------------------------------|
| Mechanical processing  | <input checked="" type="checkbox"/> |
| Finishing and Assembly | <input checked="" type="checkbox"/> |
| Surface design         | <input checked="" type="checkbox"/> |

### Equipment and accessories

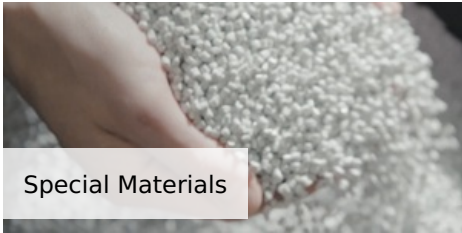
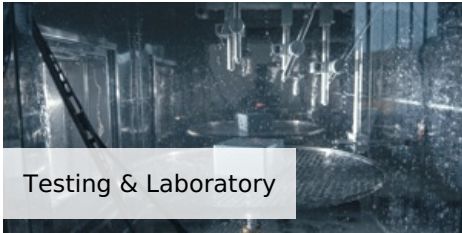
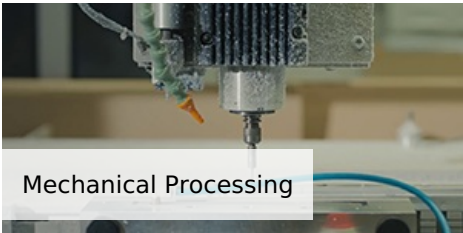
|   |                  |   |
|---|------------------|---|
| Tragschiene TS 15<br>Article No. 0211100415           | Stahl verzinkt   |   |
| Montageplatte Stahlblech<br>Article No. 0212100400    | Stahl verzinkt   |          |
| Wandlaschen M4 (4 Stück)<br>Article No. 0113100538    | Edelstahl        |          |
| Silikon Deckeldichtung<br>Article No. 1980099999      | Silikon          |   |
| EMV geschützte Ausführung<br>Article No. 1980000118   | -                |   |
| Tragschienenadapter TSFIX35<br>Article No. 0314000009 | Polyamid 6 (PA6) |    |
| Erdungsbolzen M6<br>Article No. 3000000169            | Edelstahl        |   |

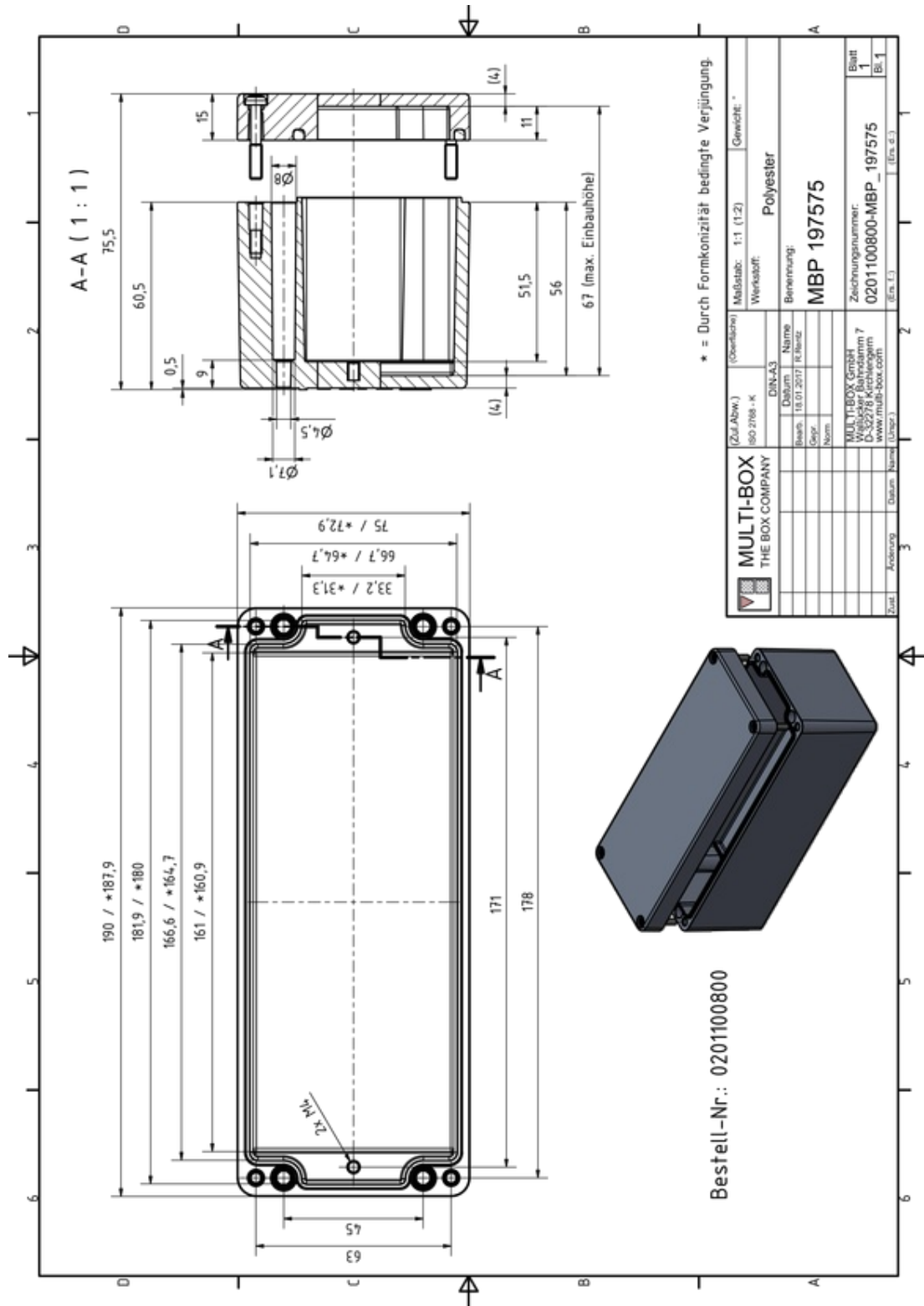




## INDIVIDUALITY IS OUR STANDARD

With our extensive machinery and a highly motivated team, we transform our standard products into your individual solution.





Under the following link you can download a higher resolution version of this drawing, including 3D construction data set:  
<https://www.multi-box.com/gehaeuse/enclosures/industrial-enclosures/plastic-enclosures/polyester-grp-enclosures/mbp/mbp-197575>