



MBI-PC BK 181809 MK

Article No. 0908108890

Material: Polycarbonate GF10

Protection class: IP66

MBI BLACK - THE HIDDEN CHAMPION - Remarkably invisible.

MBI-BLACK industrial enclosures are the perfect combination of discreet presence, modern design and excellent technical performance.

Enclosure bases are designed with metric pre-formed knockouts on all four sides. These can be opened for cable entries. Transparent covers are supplied with this version.

Their black design integrates them seamlessly into industrial surroundings and enables a discreet, almost invisible installation in factory halls, control cabinets, camera systems or shaft installations. Thanks to their design in elegant black color and clean shapes MBI-BLACK enclosures have a modern appearance.

In addition, they reliably meet the high technical requirements of industrial installation technology. Bases are made of glass fibre reinforced polycarbonate. The material is UV-resistant (UL 746C F1) and self-extinguishing (UL 94 V0). The transparent covers are also made of UV-resistant polycarbonate (UL 746C F1) and comply with the flammability classification UL 94 V2.

With a seamlessly foamed 2-component polyurethane gasket, all types achieve protection class IP66. Cover screws are made of plastic material and therefore they are completely corrosion-free. The impact resistance corresponds to IK08, making the MBI BLACK enclosures ideally suitable for use in industrial and outdoor applications.

Depending on quantities, we can produce customer-specific mould sides. Individual knockouts, cutouts and hole designs can be implemented in the injection mould and there is no requirement for further mechanical processing.

MBI BLACK enclosures offer a variety of mounting points for direct fixation of components into the base. Self-tapping plastic screws for assembly are included in the scope of delivery.

We would be glad to assist you!

MULTI-BOX GmbH

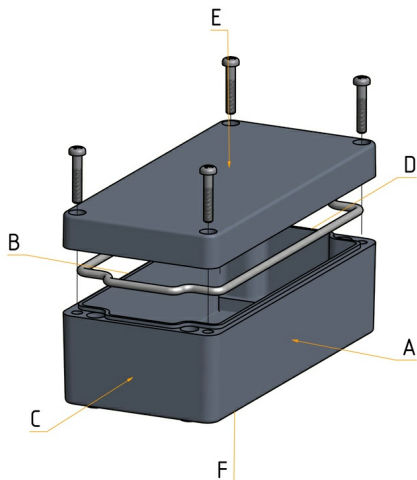
Wallücker Bahndamm 7
D-32278 Kirchlengern
Tel. +49 (0)5223 49107-0

info@multi-box.com
www.multi-box.com



Dimensions and weight

Length (mm)	182
Width (mm)	180
Height (mm)	90



We would be glad to assist you!

MULTI-BOX GmbH

Wallücker Bahndamm 7
D-32278 Kirchlegern
Tel. +49 (0)5223 49107-0

info@multi-box.com
www.multi-box.com



Material information

Material cover	Polycarbonate
Material base	Polycarbonate GF10
Material sealing	Polyurethane
Material screws	Plastic
Silicone-free	✓
Halogen-free	✓
Material UL listed	✓
UV-resistant	✓

Temperature resistance and application areas

Permanent operating temperature max. (°C)	100
Permanent operating temperature min. (°C)	-40
Suitable for outdoor use	✓
Suitable for indoor use	✓

Technical specifications

Protection class IP	66
Norm of protection class	DIN EN 60529
Impact resistance IK	08
Norm of impact resistance	EN 50102
Flame retardancy	V-2
UL-Subject	UL 94
Fully insulated	✓
Sealing foamed seamless	✓
Captive cover screws	✓
Assembly tool	SL 5,5
Tightening torque cover screws max. (Nm)	1.4
Tightening torque cover screws min. (Nm)	1,0



Modifications and Services

Mechanical processing	✓
Finishing and Assembly	✓
Surface design	✓
Special colours	✓
Special materials	✓

Equipment and accessories

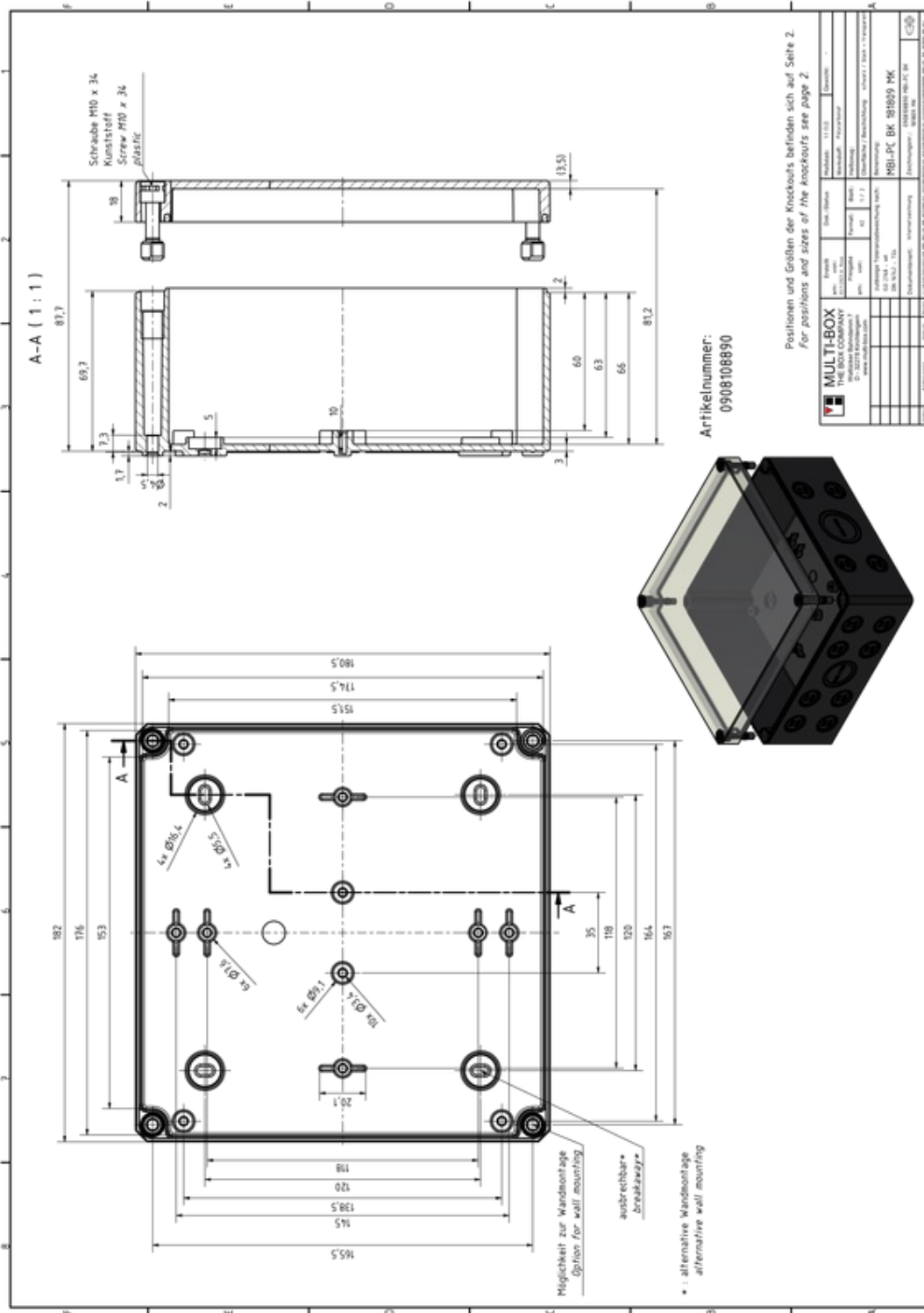
Mounting rail TS 35 Article No. 0911100006	Galvanized steel	  
Mounting plate phenolic resin hard paper Article No. 0912218180	Phenolic resin hard paper	  
Wall mounting brackets MBI BK (4 pcs) Article No. 0313000035	Polycarbonate GF10	  
Wall fixation bushes M4 (4 pcs) Article No. 1999000095	Brass nickel-plated	
External Hinges MBI BK (2 pcs) Article No. 0319000006	Polycarbonate GF10	  



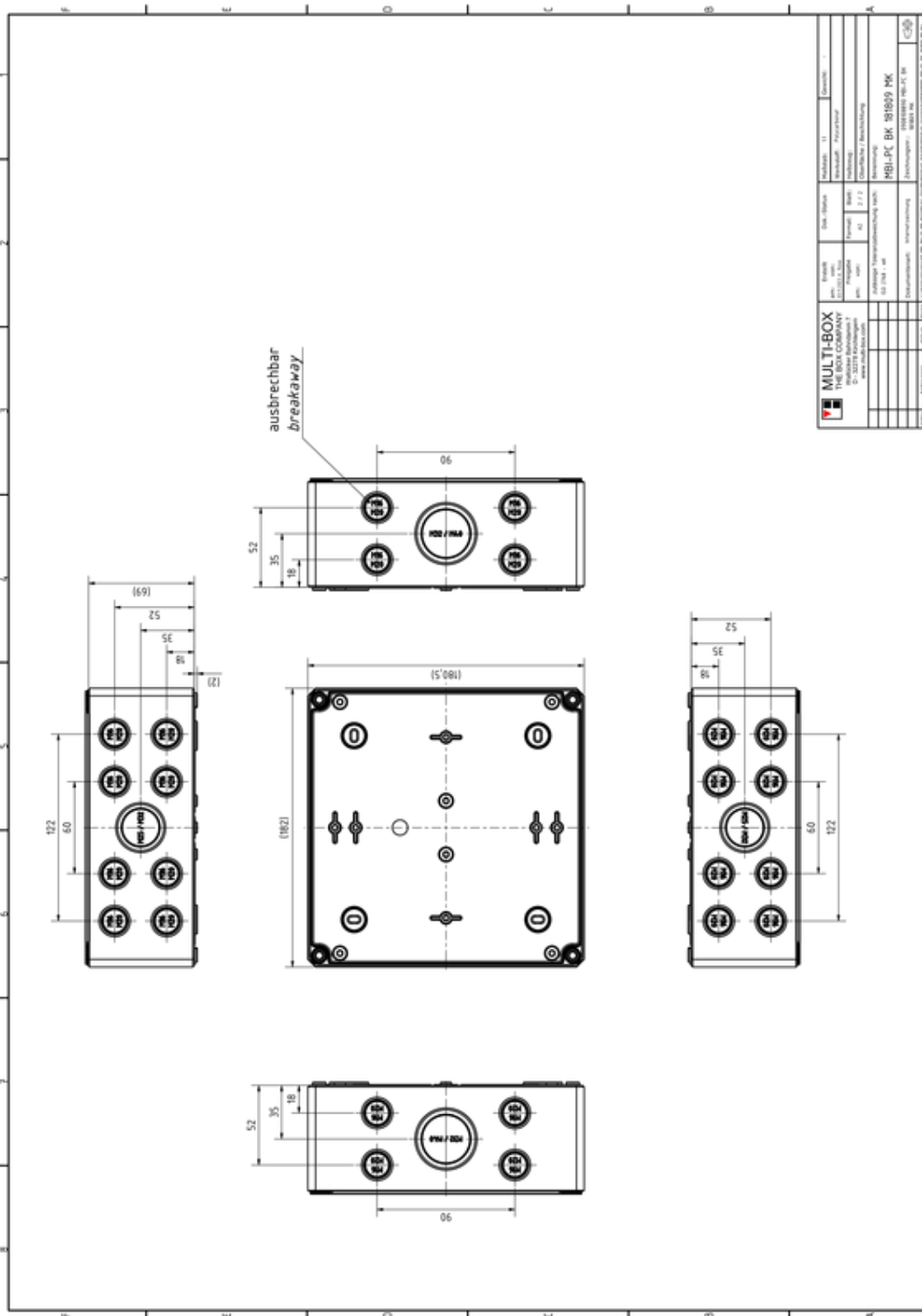
INDIVIDUALITY IS OUR STANDARD

With our extensive machinery and a highly motivated team, we transform our standard products into your individual solution.





Under the following link you can download a higher resolution version of this drawing, including 3D construction data set:
<https://www.multi-box.com/en/enclosures/enclosures/industrial-enclosures/plastic-enclosures/polycarbonate-pc-enclosures/mbi/black/mk/mbi-pc-bk-181809-mk/>



Under the following link you can download a higher resolution version of this drawing, including 3D construction data set:

<https://www.multi-box.com/en/enclosures/enclosures/industrial-enclosures/plastic-enclosures/polycarbonate-pc-enclosures/mbi/black/mk/mbi-pc-bk-181809-mk>