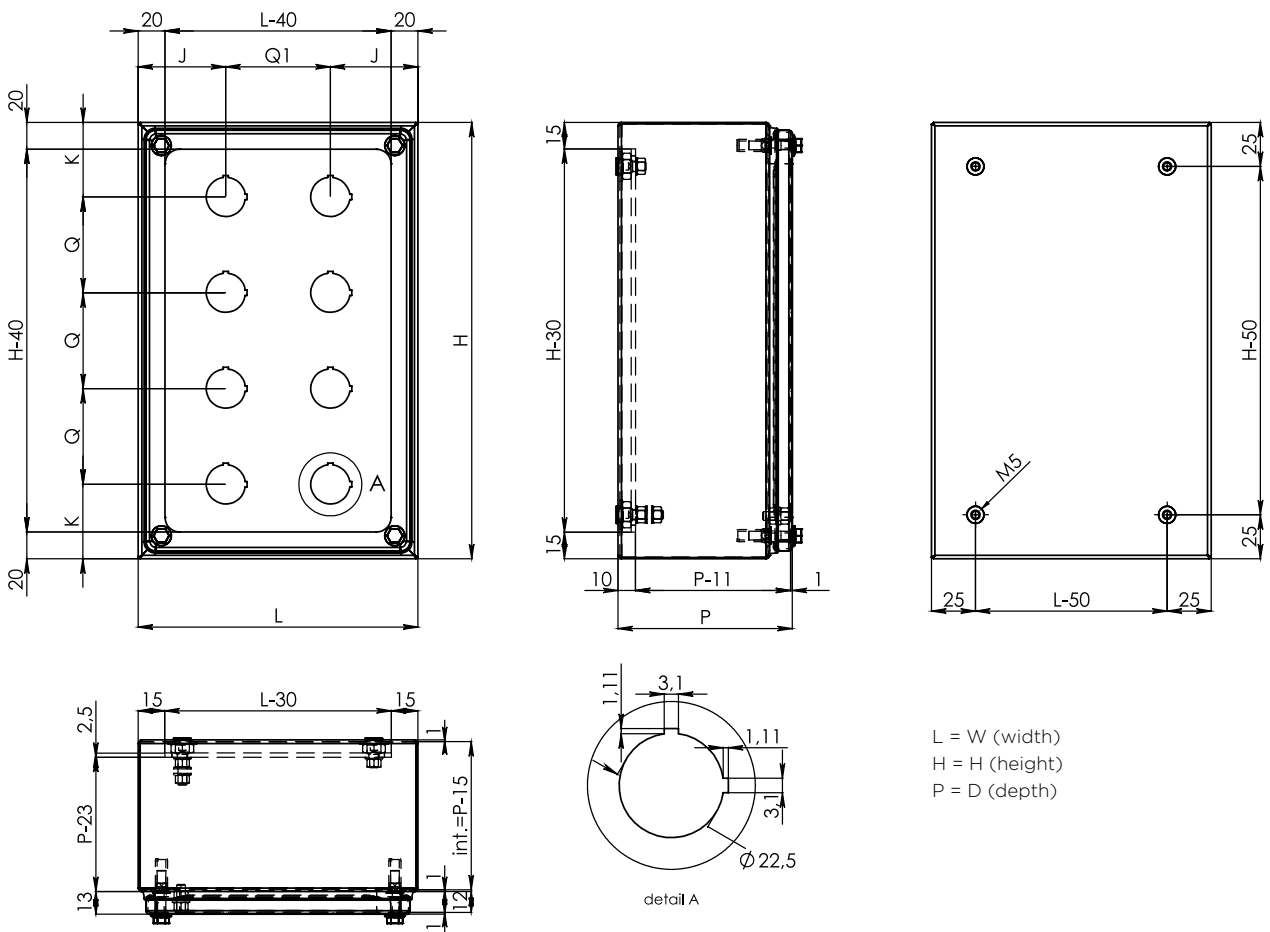


# PUSH BUTTON BOX APH

Push button box in AISI 304L (Wnr 1.4307) stainless steel, ideal for use in sectors requiring high standards of hygiene due to the profile design developed for easy cleaning. Screw-on cover featuring "clip-on" silicone seal, FDA approved, pre-drilled with  $\varnothing 22.5$  mm holes. No internal plate. IP66 protection rating. IP67, IP69K and UL also available on request.



## CERTIFICATIONS

As standard	IP66
On request	IP67 - IP69K - Atex 3GD - Atex 2GD - UKCA Ex UL/CSA

## TECHNICAL DETAILS

<b>Minimum dimensions</b>	W= 80 mm H= 80 mm D= 60 mm
<b>Maximum dimensions</b>	W= 400 mm H= 400 mm D= 200 mm
<b>Dimensional pitch</b>	10 mm
<b>Door drilling reference</b>	W- 40 mm H- 40 mm
<b>Internal plate</b>	Not present
<b>Usable depth</b>	D- 11 mm
<b>Centre-to-centre distance for securing enclosure</b>	H- 30 mm up to short side 100 mm (2 M5 bushes) H- 50 mm for enclosures with sides > 100 mm (4 M5 bushes)

## TECHNICAL DESCRIPTION

<b>Type of steel</b>	AISI 304L (Wnr 1.4307) Scotch-brite
<b>Cover spacers</b>	The cover has a thickness of 10/10 when WxH is below 80,000 mm <sup>2</sup> ; beyond this size the thickness is 12/10.
<b>Cover</b>	Drilled for buttons
<b>Cover opening</b>	Detachable
<b>Closing system</b>	Screwed-on, M5*
<b>Cover thickness</b>	1 mm
<b>Rear fastenings</b>	M5 bushes
<b>Internal plate</b>	25/10 FeZn
<b>Seal</b>	FDA-approved silicone

\*Standard set of screws supplied dismantled: 4 hex-head screws + 4 slot-head screws.

## CUSTOMISATION OPTIONS

<b>Material</b>	AISI 316L (Wnr 1.4404)
<b>Finishes</b>	SN Coarse satin, BA Polished, 2B Matt, coating, micro shot-peening, passivation
<b>Thicknesses</b>	1.2 mm*
<b>Rear fastenings</b>	Stud bolts
<b>Cover</b>	No. of button holes on request with limitations, drilling W- 40 mm H- 40 mm Application of cover fall-prevention system
<b>Sides</b>	Option of incline up to 7° on 4 sides, drilling H- 20 mm, W- 20 mm, D- 33 mm (10+23 mm)  <ul style="list-style-type: none"> <li>• Can be applied when at least one side is greater than 100 mm</li> <li>• W- 30 mm H- 15 mm for enclosures with sides &lt; 100 mm (2 bushes)</li> </ul>
<b>Internal plate</b>	<ul style="list-style-type: none"> <li>• W- 30 mm H- 30 mm for enclosures with sides &gt; 100 mm (4 bushes)</li> <li>• Standard mounting on M5 bushes</li> <li>• Mounting on stud bolts, blind back</li> <li>• Material A304L or A316L, thickness 1.5 mm</li> </ul>
<b>Configuration for assembly of mobile arm</b>	Yes
<b>Minimum depth depending on joint fitted</b>	110 mm
<b>Handles</b>	from H/W >180 mm

\*To be verified during order phase

## Product accessories

- / Flat wall brackets
- / Raised wall brackets
- / M5 wall-mounted spacers
- / Hygienic wall-mounted spacers
- / Cable input gland plate
- / Pedestal model PD3210
- / DIN rail support

For more accessories, please consult the section "OTHER ACCESSORIES".

