

HYGIENIC LINE

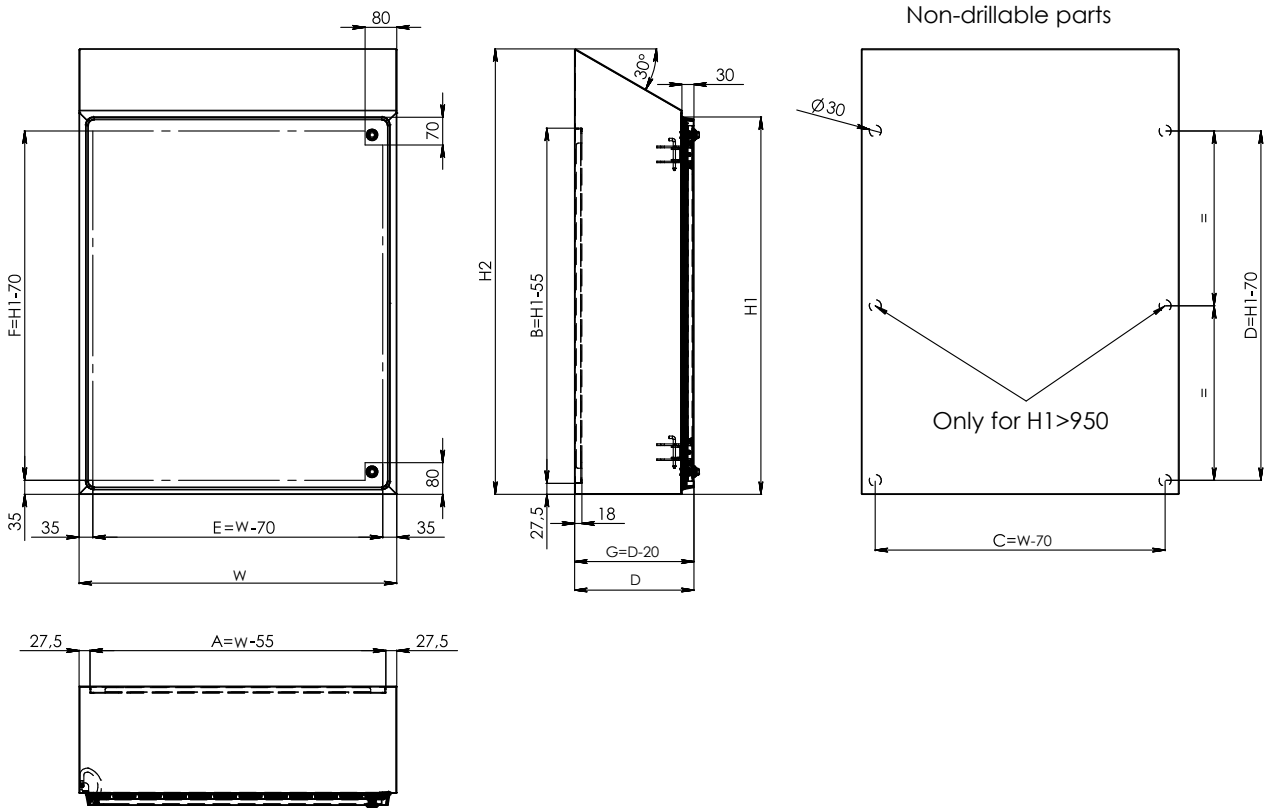
ENCLOSURE WITH HYGIENE CERTIFICATION **EKO.HY**

Enclosure in AISI 304L (Wnr 1.4307) stainless steel with inner-hinged blind door.

30° sloping top. Enclosure rear completely flat and without cavities, for easy cleaning and to avoid any deposits.

FDA-approved removable outer silicone seal. Inner drip-proof edge.

New-generation hygienic closures in stainless steel with outer seal.



CERTIFICATIONS

As standard

IP66 - IP69K

On request

UL - DGUV hygiene certification



TECHNICAL DETAILS

Minimum dimensions	W= 200 mm H1= 300 mm D= 120 mm
Maximum dimensions	W= 1400 mm H1= 1200 mm D= 500 mm
Dimensional pitch	10 mm
Door drilling reference	W- 70 mm H1- 70 mm
Internal plate	FeZn 2.5 mm W- 70 mm H1- 70 mm
Usable depth	D- 20 mm

TECHNICAL DESCRIPTION

Type of steel	AISI 304L Scotch-brite
Door spacers	1.5 mm
Door	Blind, rotation outside shoulder, non-reversible
Door fastening	Hinges
Door opening	115°
Closing system	Hygienic stainless-steel lock, 1/4 turn
Cover thickness	1.5 mm
Internal plate	FeZn 2.5 mm
Top	Inclined 30°
Seal	FDA-approved silicone

CUSTOMISATION OPTIONS

Material	AISI 316L
Rear fastenings	M6 bush, M8 bush, M10 bush
Door	Right hinges
Different top incline	10° / 20° / 30° / 40° / 45°
Internal plate	Not present or A304L/A316L thickness 1.5 mm

Product accessories

- / Hygienic wall-mounted spacers
- / FPDH hygienic protection window
- / SBVH hygienic arm support

For more accessories, please consult the section "OTHER ACCESSORIES".

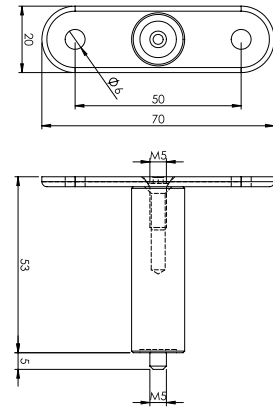


SPACERS

M5 WALL-MOUNTED SUPPORT SPACERS

Code	Description
Q4SV00023500195	Support spacers in AISI 304L (Wnr 1.4307) stainless-steel for M5 screws. Kit with 2 wall-mounted spacers.

Only compatible with ADH and APH.

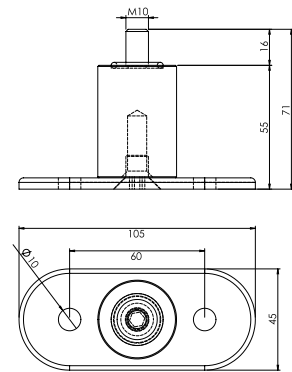


M10 WALL-MOUNTED SPACERS

Stainless-steel support spacers for M10 bushes.

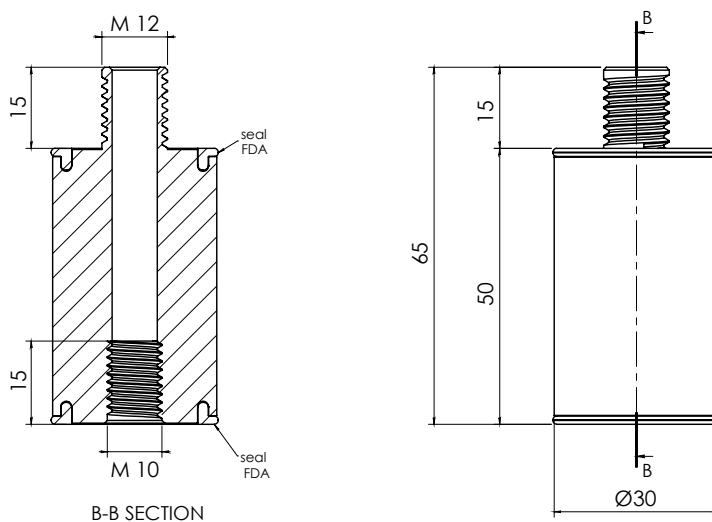
Code	Description
Q4SV00023500199	Kit with 4 stainless-steel brackets.

Only compatible with EKOH.



HYGIENIC SPACERS

Hygienic spacers in AISI 304 (Wnr 1.4301) stainless steel with double FDA-approved silicone seal.



Code	Description
Q4SV00023501020	Kit with 1 spacer, series HY H=50

Can only be applied to products after drilling rear of the product.

Accessories must always be specified during quote and order phase.