

# INSULATORS



**INSULATORS**



# LV INSULATORS & MV BUSHINGS BMC / SMC MOULDED PARTS

## CONTENTS

03

LV Insulators  
Material Data

---

04

LV Insulators Type SK

---

05

LV Insulators Type SK  
Colour: Brown

---

06

LV Insulators Type SK  
Colour: White

---

07

LV Insulators Type SR

---

08

LV Insulators Type RD and 1N

---

09

Custom Moulded Parts  
LV Insulators

---

10

Custom Moulded Parts  
MV Bushings

---

11

Custom Moulded Parts  
Applications for MV

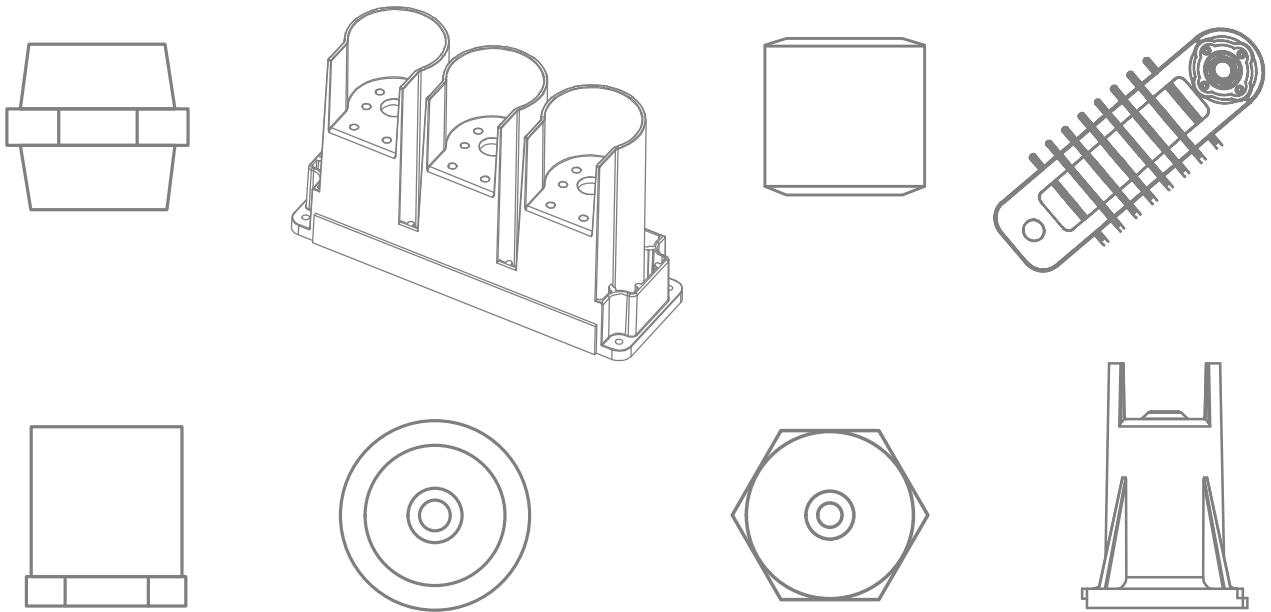
---

12

Custom Moulded Parts  
BMC / SMC

## Material Data

- Glassfiber reinforced polyester (UP), glass content 18%
- Self-extinguishing, halogen free, RoHS-compliant



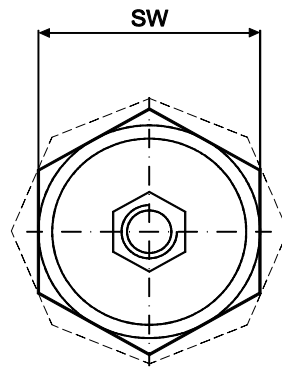
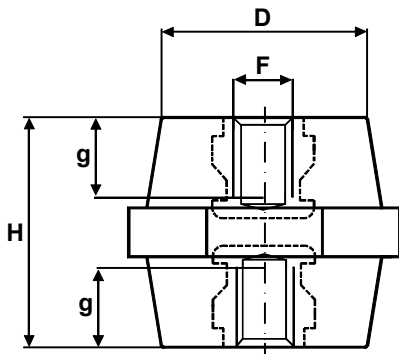
Specific weight	ASTM D-792, DIN 53479	1.80 g/cm <sup>3</sup>
Heat Distortion Temperature	ISO 75	> 200°C
Flexural strength	DIN EN ISO 178	90 N/mm <sup>2</sup>
Impact strength	DIN EN ISO 179	25-30 kJ/m <sup>2</sup>
Flammability	UL 94	V0
Glow-Wire Flammability	DIN EN 60695	960°C
Temperature range		-40°C +130°C
Surface resistivity	DIN IEC 60093	10 <sup>12</sup> Ω
Volume resistivity	DIN IEC 60093	10 <sup>14</sup> Ωcm
Dielectric strength	DIN EN 60243-1	15-18 kV/mm
Tracking resistance	DIN IEC 60112	CTI 600
Water absorption	DIN EN ISO 62	< 0.2 % (<25 mg)

All data given have been determined with standardized test specimens according to applicable material standards. Data and information are given only as a guide and are not binding. No guarantee can be assumed in all situations.

# LV INSULATORS TYPE SK

## Technical Data

- **Threads:** steel zinc coated (upon request brass, stainless steel, 8.8 grade steel)
- **Upon request:** steel bolts

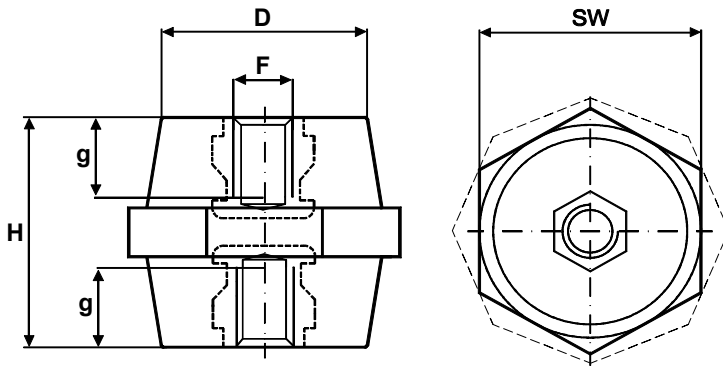


Type	Dimensions (mm)					Service Voltage AC kV	Service Voltage DC kV	Test Voltage AC kV	Bending Strength kN	Tensile Strength kN	Max. Tightening Torque Nm	Torque Strength Nm	Weight kg/100 pcs.	Box Qty.
	H	F	SW	D	g									
SK-201704	20	M4	Hex 17	15	5	0.6	0.8	3	1	2	2.5	6	1.25	100
SK-201706		M6			5				1	2	3	10	1.25	
SK-202004	20	M4	Hex 20	17	5	0.6	0.8	3	1.3	2	2.5	6	1.25	150
SK-202006		M6			5				1.3	2	3	10	1.25	
SK-252205	25	M5	Hex 22	18	6	1	1.2	6	1	3	2.5	10	2.00	100
SK-252206		M6			6				1	3	4.5	15	2.00	
SK-252505	25	M5	Hex 25	22	6	1	1.2	6	1.5	4.5	3	15	2.75	100
SK-252506		M6			6				1.5	4	4.5	20	2.80	
SK-303006	30	M6	Hex 30	26	8	1.5	1.8	10	3	6	12	20	5.40	100
SK-303008		M8			8				3	7	20	40	5.30	
SK-303010		M10			9				3	6	30	40	5.10	
SK-304008	30	M8	Hex 40	36	9	1.5	1.8	10	6	9	20	50	8.50	100
SK-304010		M10			9				4	7	40	70	8.80	
SK-353206	35	M6	Hex 32	28	8	1.5	1.8	12	4.5	8	12	20	7.00	100
SK-353208		M8			10				5	8	20	50	7.20	
SK-353210		M10			10				5	8	40	70	6.90	
SK-353508	35	M8	Oct 35	30	10	1.5	1.8	12	5	6.5	20	50	7.80	100
SK-353510		M10			10				5	7	40	75	8.00	
SK-354006	35	M6	Oct 40	35	8	1.5	1.8	12	4.5	8	12	20	8.60	25
SK-354008		M8			10				5	10	20	45	8.70	
SK-354010		M10			10				5	7	40	75	8.80	
SK-403006	40	M6	Hex 30	26	8	2	2.4	15	2	6	12	20	6.90	60
SK-403008		M8			10				3	10	16	45	7.00	
SK-403606	40	M6	Hex 36	32	8	2	2.4	15	4.5	6	12	20	10.60	100
SK-403608		M8			10				5	10	20	45	10.20	
SK-403610		M10			12				6	10	40	75	10.80	
SK-404006	40	M6	Hex 40	35	8	2	2.4	15	4.5	6	12	20	10.20	60
SK-404008		M8			10				6	11	20	50	10.70	
SK-404010		M10			12				6	10	40	75	11.50	
SK-404012		M12			11				7.5	11	40	90	11.80	
SK-454110	45	M10	Hex 41	35	12	2	2.4	12	6	12	40	75	12.20	72
SK-454112		M12			12				8	12	36	100	12.80	
SK-454608	45	M8	Hex 46	38	10	2	2.4	15	6	8	20	50	14.80	50
SK-454610		M10			12				8	10	40	90	15.30	
SK-454612		M12			15				8	11	40	100	16.00	
SK-503606	50	M6	Hex 36	29	8	2	2.4	15	4	9	12	20	10.50	75
SK-503608		M8			10				4.5	9	20	50	10.90	
SK-503610		M10			14				4.5	9	40	75	12.20	
SK-503612		M12			15				4.5	9	30	80	13.00	
SK-504010	50	M10	Hex 40	28	14	2	2.4	15	5	13	40	80	14.00	50
SK-505008		M8			10				6.5	11	20	50	18.50	
SK-505010	50	M10	Hex 50	42	14	2	2.4	15	7	15	40	90	19.00	36
SK-505012		M12			15				9	15	70	125	20.10	
SK-604008	60	M8	Hex 40	28	10	3	3.6	20	4	14	20	50	15.00	50
SK-604010		M10			14				4.5	20	40	90	16.20	
SK-604012		M12			15				5	16	40	90	16.40	
SK-605010	60	M10	Hex 50	42	14	3	3.6	15	7	18	40	90	25.40	32
SK-605012		M12			18				8	20	70	140	26.00	
SK-605508	60	M8	Hex 55	43	15	3	3.6	15	6	15	20	50	28.00	24
SK-605510		M10			14				7	18	40	90	28.20	
SK-605512		M12			20				10	22	70	140	27.20	
SK-634110	63	M10	Hex 41	31	15	3	3.6	15	6	15	40	90	16.00	50
SK-706012	70	M12	Hex 60	52	18	3	3.6	18	12	25	70	140	40.20	15
SK-706016		M16			20				13	25	95	190	39.80	
SK-754610	75	M10	Hex 46	36	17	3	3.6	20	4	16	40	90	23.10	24
SK-754612		M12			20				7	12	70	125	25.00	
SK-806012	80	M12	Hex 60	52	18	3.5	4.2	22	12	28	70	140	49.50	8
SK-1006510	100	M10	Hex 65	52	18	5	6	26	8	30	40	100	66.00	9
SK-1006512		M12			18				9	30	70	140	64.80	
SK-1006516		M16			24				11	30	95	190	63.10	



## Technical Data

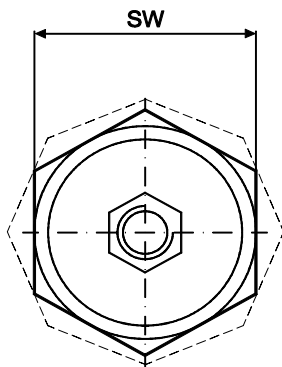
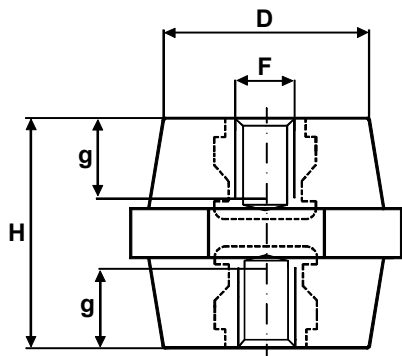
- **Threads:** steel zinc coated (upon request brass, stainless steel, 8.8 grade steel)
- **Upon request:** steel bolts



Type	Dimensions (mm)					Service Voltage AC kV	Service Voltage DC kV	Test Voltage AC kV	Bending Strength kN	Tensile Strength kN	Max. Tightening Torque Nm	Torque Strength Nm	Weight kg/100 pcs.	Box Qty.
	H	F	SW	D	g									
SK-201706	20	M6	Hex 17	15	5	0.6	0.8	3	1	2	3	10	1.25	100
SK-202005	20	M5	Hex 20	17	5	0.6	0.8	3	1.3	2	3	6	1.25	150
SK-202006		M6			5				1.3	2	3	10	1.25	
SK-252505	25	M5	Hex 25	22	6	1	1.2	6	1.5	4.5	3	15	2.75	100
SK-252506		M6			6				1.5	4	4.5	20	2.80	
SK-303006	30	M6	Hex 30	26	8	1.5	1.8	10	3	6	12	20	5.40	100
SK-303008		M8			8				3	7	20	40	5.30	
SK-303010		M10			9				3	6	30	40	5.10	
SK-304008	30	M8	Hex 40	36	9	1.5	1.8	10	5	9	20	50	8.50	100
SK-304010		M10			9				4	7	40	70	8.80	
SK-353008	35	M8	Hex 30	25	10	1.5	1.8	12	3	5	20	50	6.75	100
SK-353206	35	M6	Hex 32	28	8	1.5	1.8	12	4.5	8	12	20	7.00	100
SK-353208		M8			10				5	8	20	50	7.20	
SK-353210		M10			10				5	8	40	70	6.90	
SK-353508	35	M8	Oct 35	30	10	1.5	1.8	12	5	6.5	20	50	7.80	100
SK-353510		M10			10				5	7	40	75	8.00	
SK-354010	35	M10	Oct 40	35	10	1.5	1.8	12	5	7	40	75	8.80	25
SK-403006	40	M6	Hex 30	26	8	2	2.4	15	2	6	12	20	6.90	60
SK-403008		M8			10				3	10	16	45	7.00	
SK-403610		M10			12				2	2.4	15	6	10	
SK-404006	40	M6	Hex 40	35	8	2	2.4	15	4.5	6	12	20	10.20	60
SK-404008		M8			10				6	12	20	50	10.70	
SK-404010		M10			12				6	10	40	75	11.50	
SK-404012		M12			11				7.5	11	40	90	11.80	
SK-404610	40	M10	Hex 46	40	12	2	2.4	15	8	11	40	80	14.00	50
SK-405012	40	M12	Hex 50	44	11	2	2.4	15	8.5	14	70	125	14.00	50
SK-454612	45	M12	Hex 46	38	15	2	2.4	11	8	11	40	100	16.00	50
SK-503608	50	M8	Hex 36	29	10	2	2.4	15	4.5	9	20	50	10.90	75
SK-503610		M10			14				4.5	9	40	75	12.20	
SK-503612		M12			15				4.5	9	30	80	13.00	
SK-504008	50	M8	Hex 40	28	10	2	2.4	15	5	11	20	40	13.80	50
SK-504010		M10			14				6	13	40	90	14.00	
SK-504012		M12			15				6	16	40	100	14.10	
SK-505010	50	M10	Hex 50	42	14	2	2.4	15	7	15	40	90	19.00	36
SK-505012		M12			15				9	15	70	125	20.10	
SK-604008	60	M8	Hex 40	28	10	3	3.6	20	4	14	20	50	15.00	50
SK-604010		M10			14				4.5	20	40	90	16.20	
SK-604012		M12			15				5	16	40	90	16.40	
SK-605010	60	M10	Hex 50	42	14	3	3.6	15	7	18	40	90	25.40	32
SK-605012		M12			18				8	20	70	140	26.00	
SK-605512	60	M12	Hex 55	43	20	3	3.6	15	10	22	70	140	27.20	24
SK-606012	60	M12	Hex 60	52	18	3	3.6	15	11	25	70	140	38.50	24
SK-606016		M16			20				14	28	95	190	36.50	
SK-754610	75	M10	Hex 46	36	17	3	3.6	20	4	16	40	90	23.10	24
SK-754612		M12			20				7	12	70	125	25.00	

## Technical Data

- **Threads:** steel zinc coated (upon request brass, stainless steel, 8.8 grade steel)
- **Upon request:** steel bolts

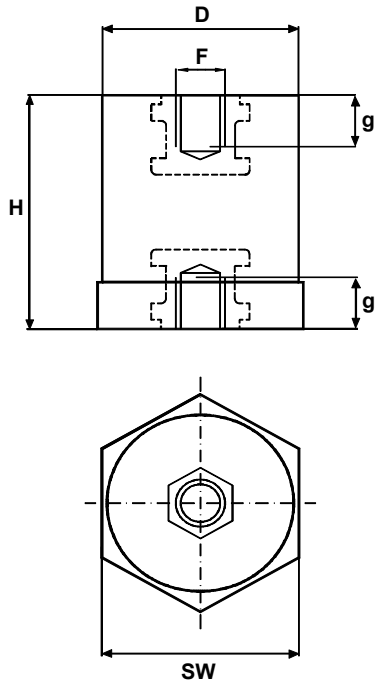


Type	Dimensions (mm)					Service Voltage AC kV	Service Voltage DC kV	Test Voltage AC kV	Bending Strength kN	Tensile Strength kN	Max. Tightening Torque Nm	Torque Strength Nm	Weight kg/100 pcs.	Box Qty.
	H	F	SW	D	g									
SK-303006	30	M6	Hex 30	26	8	1.5	1.8	10	3	6	12	20	5.40	100
SK-303008		M8			8				7	20	40	5.30		
SK-353208	35	M8	Hex 32	28	10	1.5	1.8	12	5	8	20	50	7.20	100
SK-403006	40	M6	Hex 30	26	8	2	2.4	15	2	6	12	20	6.90	60
SK-403008		M8			10				9	16	45	7.00		
SK-404008	40	M8	Hex 40	35	10	2	2.4	15	5	11	20	50	10.70	60
SK-404010		M10			12				6	10	40	75	11.50	
SK-503608	50	M8	Hex 36	29	10	2	2.4	15	4.5	9	20	50	10.90	75
SK-503610		M10			14				4.5	9	40	75	12.20	
SK-504010	50	M10	Hex 40	28	14	2	2.4	15	5.5	13	40	90	14.00	50
SK-504012		M12			15				5.5	17	40	100	14.10	
SK-604008	60	M8	Hex 40	28	10	3	3.6	20	4	14	20	50	15.00	50
SK-604010		M10			14				4.5	20	40	90	16.20	
SK-754610	75	M10	Hex 46	36	17	3	3.6	20	4	16	40	90	23.10	24
SK-754612		M12			20				7	12	70	125	25.00	

# LV INSULATORS TYPE SR

## Technical Data

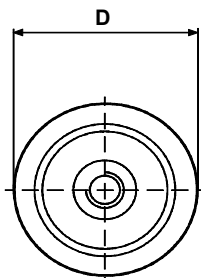
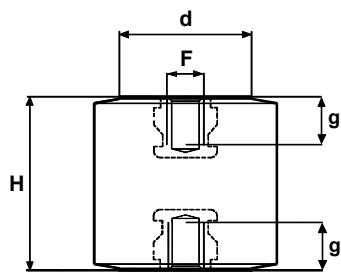
▪ **Threads:** steel zinc coated



Type	Dimensions (mm)					Service Voltage AC kV	Service Voltage DC kV	Test Voltage AC kV	Bending Strength kN	Tensile Strength kN	Max. Tightening Torque Nm	Torque Strength Nm	Weight kg/100 pcs.	Box Qty.
	H	F	SW	D	g									
SR-202108	20	M8	21	20	5	0.4	0.5	3	2.5	4	10	20	1.80	125
SR-252106	25	M6	21	20	8	0.6	0.8	6	1.8	4	4.5	20	2.25	100
SR-252108		M8			8						14	20	2.20	
SR-302106	30	M6	21	20	10	0.6	0.8	8	1.5	4	4.5	20	3.10	140
SR-302108		M8			10						14	20	2.95	
SR-303006	30	M6	30	30	8	0.75	0.9	8	4.5	9	12	20	5.50	80
SR-303008		M8			8						20	40	5.60	
SR-303010		M10			9						30	40	5.70	
SR-304108	30	M8	41	40	9	0.75	0.9	8	7.5	10	20	40	9.20	45
SR-304110		M10			9						20	35	9.30	
SR-402106	40	M6	21	20	10	0.75	0.9	8	1.5	4	4.5	20	3.90	110
SR-402108		M8			10						14	20	4.10	
SR-403006	40	M6	30	30	8	1	1.2	10	3	9	12	20	7.20	60
SR-403008		M8			10						14	25	7.30	
SR-404108	40	M8	41	40	10	1	1.2	10	7	10	20	30	12.70	27
SR-404110		M10			12						40	75	13.00	
SR-404112		M12			12						60	60	13.00	
SR-453006	45	M6	30	30	8	1	1.2	10	3	9	12	20	8.60	48
SR-502106	50	M6	21	20	10	0.75	0.9	10	1	4	4.5	20	4.30	70
SR-502108		M8			10						14	20	4.10	
SR-503006	50	M6	30	30	8	1.5	1.8	10	2	9	12	20	8.50	48
SR-503008		M8			10						40	8.60		
SR-503010		M10			14						40	9.70		
SR-504108	50	M8	41	40	10	1.5	1.8	10	5	10	20	30	15.10	27
SR-504110		M10			12						75	15.50		
SR-553008	55	M8	30	30	15	1.5	1.8	10	2	9	20	50	11.30	40
SR-602106	60	M6	21	20	10	0.75	0.9	10	1	5	4.5	20	5.20	70
SR-603006	60	M6	30	30	10	1.5	1.8	15	1.5	9	12	20	12.70	40
SR-603008		M8			15						40	12.80		
SR-604110	60	M10	41	40	14	1.5	1.8	15	4	16	40	75	18.00	18
SR-604112		M12			18						105	18.10		
SR-703008	70	M8	30	30	15	1.5	1.8	15	1.5	9	20	40	12.50	60
SR-806010	80	M10	60	60	18	5	6	25	9	26	40	100	53.00	8
SR-806012		M12			20						100	53.60		

## Technical Data

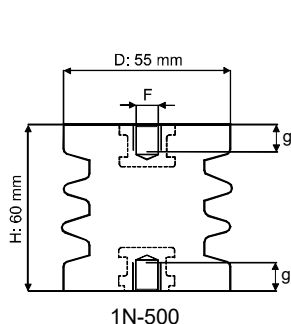
▪ **Threads:** steel zinc coated (upon request brass)



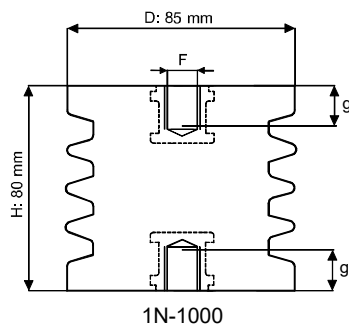
Type	Dimensions (mm)					Service Voltage AC kV	Service Voltage DC kV	Test Voltage AC kV	Bending Strength kN	Tensile Strength kN	Max. Tightening Torque Nm	Torque Strength Nm	Weight kg/100 pcs.	Box Qty.
	H	F	d	D	g									
RD-253008	25	M8	25	30	7	0.75	0.9	7	3	4.5	20	40	4.80	100
RD-303006	30	M6	25	30	8	1	1.2	10	3.5	6	12	20	5.00	80
RD-303008		M8			8				7	20	40	5.50		
RD-303010	30	M10	30	40	9	1	1.2	10	3.5	7	30	50	5.75	100
RD-404006		M6			8				4	6	20	10.50		
RD-404008	40	M8	30	40	10	2	2.4	15	5.5	12	20	40	11.20	75
RD-404010		M10			12				6	10	75	12.60		
RD-504010	50	M10	30	40	14	2	2.4	15	4.5	10	40	75	16.00	50
RD-504012		M12			15				4.5	10	75	15.80		
RD-505012	50	M12	40	50	15	2	2.4	15	9	17.5	70	140	21.30	50
RD-604010	60	M10	30	40	14	2	2.4	15	4.5	16	40	75	18.30	50
RD-605012	60	M12	40	50	18	1.5	1.8	20	8	18	70	140	26.80	32
RD-606012	60	M12	50	60	18	1.5	1.8	20	12.5	22.5	70	140	39.60	24

## Technical Data

▪ **Threads:** brass (upon request steel zinc coated)



1N-500



1N-1000



Type	Dimensions (mm)				Min. Creepage (mm)	Ripples	Service Voltage AC kV	Service Voltage DC kV	Test Voltage AC kV	Bending Strength kN	Tensile Strength kN	Max. Tightening Torque Nm	Torque Strength Nm	Weight kg/100 pcs.	Box Qty.	
	H	F	D	g												
1N-500	60	M10	55	14	93	2	3	3.6	15	5	12	40	80	23.00	50	
		M12		15												24.30
1N-1000	80	M10	85	18	123	3	5	6	25	10	20	40	80	84.00	9	
		M12		20												83.00
		M16		20												82.10



# Custom Moulded Parts

## LV Insulators

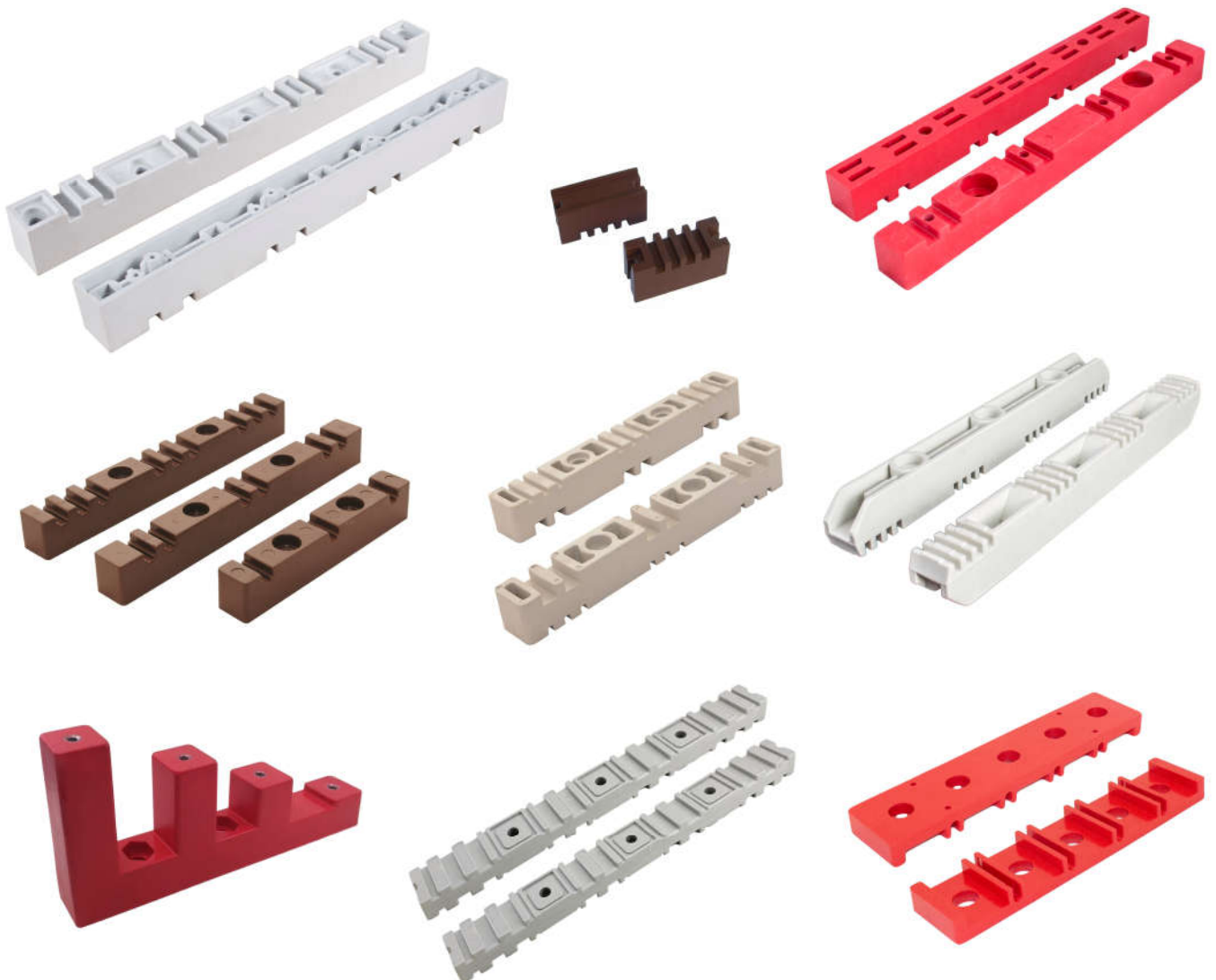
### PRODUCTION RANGE

With our capabilities in mould design, in-house tooling and mould-making, combined with our compression machines from 110 to 800 tonnes, we are able to manufacture a wide range of Moulded Parts from BMC or SMC, weighing from 0.01 kg to 14 kg. and dimensions from 10 mm up to 1200 mm.

### Insulators



### Busbar Supports



### BUSHINGS FOR MEDIUM VOLTAGE SWITCHGEARS

**Busbar Bushings 600mm**



**Busbar Bushings 800mm**



**Triple Monoblock W600**



**Triple Monoblock W750**



**Insulating Protection W750**



**Bushings of BMC**



# Custom Moulded Parts Applications for MV

**Pole Shell for Vacuum Contactors**



**Monoblock Shell for Vacuum Contactors**



**Insulating Cover for  
Contactor-Fuse Combination**



**Insulating Cover for  
Contactor-Fuse Combination**



**Monoblock Housing for  
Vacuum Circuit Breaker**



**RMU Insulators**





---

### Insulating Brackets for Surge Arresters



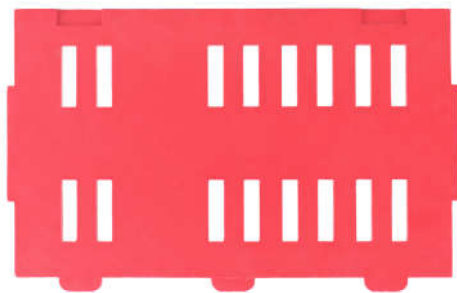
---

### Enclosures for Fuse Switches and Disconnectors



---

### Insulating Partition







**EREN Elektrik Sanayi ve Ticaret A.S.**  
Ramazanoglu Mah. Transtek Cad. No. 4  
Pendik, Istanbul, 34906 Turkey  
T +90-216-595 1145 | F +90-216-378 0011  
eren-as.com | info@eren-as.com

