

HANDLING SYSTEM



Since 1952 building the Future

REV. 00_2020

GIOVENZANA INTERNATIONAL B.V.

reserves the right to modify, as specifications change, all technical and functional characteristics of the products shown in this catalogue without prior notice as this information is intended for general knowledge and is not legally binding. All the images contained in this catalog are purely for explanatory purposes. The most up-to-date version of this catalogue can be downloaded from the download section of the website: www.giovenzana.com

HISTORY

Founded in Italy in 1952, **Giovenzana** has gradually consolidated its experience in the field of **safety components** for industrial technologies. In the 1970s, Giovenzana began its path of **internazionalization** by opening up to new European and International markets. The gradual expansion around the world has been combined with a growing diversification of its product range linked to the research for new business sectors. With **68 years of experience**, Giovenzana focused its strategy on creating innovative and reliable products that can anticipate the market needs.

MISSION

Quality, competence and safety solutions have driven Giovenzana daily work, to develop the best products for all market requirements. Today its **high quality products** are recognizable all over the world. Giovenzana aims at environmental sustainability and energy efficiency. **Giovenzana mission is safety** above all by offering experience and expertise in designing reliable, ergonomic and intuitive safety devices. Its mission is to anticipate the different markets' needs to become a reference point for its customers. The intention is to create an ongoing link between the market and the company.

MARKETING

Giovenzana sells to 75 countries and develops components in compliance with **European and International standards**. Giovenzana exports all over the world and manages its customers through a competent and available **global sales network**. The business relationship with customers is facilitated by a **structured back office** and the presence of a **renewed website** that guides the customer in the conscious choice of the right product.

INNOVATION

Development, design and production are combined to achieve a common goal. **Giovenzana products are the result of innovation, experience and the daily application of own technological knowledge**. Over the years the company has constantly design new solutions by developing new skills and increasing the safety of its products.

QUALITY & ENVIRONMENTAL POLICY

Attention for products quality, innovation researches and continuous development of new projects by our R&D department, represent our daily commitment. The commercial success of a product is the end result of the combined efforts of all human resources operating within an organizational structure that is devoted to quality. Today Giovenzana Quality Management System is based on processes according to **UNI ISO 9001:2015**, ensuring the coordination of all business activities, from design to production organisation, from purchases to sales, from after-sales assistance to dimensional and functional controls of samples and products. With the standard **UNI EN ISO 14001:2015** Giovenzana uses new technologies that limit the consumption of raw materials, energy and natural resources in order to minimize waste and emissions, protecting the environment. All the products are of certified quality and follow the guidelines Rohs, Pfos, Raee and Reach.

R&D DEPARTMENT

The R&D department shall consist of specialized technicians, highly trained engineers, designers and researchers able to satisfy the technical needs of the customers. **The R&D Department works daily step by step, starting from the product design up to, through the various phases of prototyping,**

verification and testing, to the final products.

All these activities are carried out with the highest quality managements in order to satisfy the most stringent and restrictive product specifications.

Use of advanced design software, prototyping machines and all the technical equipment of our test laboratory allows the company to develop new technologies implementing the most featured devices.

The R&D Department actively cooperates with the Consorzio Intellimech, a private consortium of large, medium and small companies aimed at interdisciplinary research in the field of mechatronics.

PRODUCTION

The solutions offered by Giovenzana derive from the company's extensive knowledge of the requirements of industrial electrical devices and are in line with all relevant International standards. Since 1952 Giovenzana creates, designs and produces safety solutions able to satisfy the needs of its customers within its business areas:

- **Handling system;**
- **Industrial Automation;**
- **Elevator and Escalator technology;**
- **Atex and IECEx equipment.**

MANUFACTURING UNITS

Giovenzana International B.V. has **four manufacturing units**. The historical one in Italy, two others in Hungary and the new one in Brasil.

LOGISTICS

Giovenzana, in order to support the market and its different necessities, has created a global organization that is always in process to cover territory in different hubs.

PENDANT AND WALL-MOUNTED CONTROL STATIONS

Pages 6 .. 65

Ergonomic, resistant and flexible solutions for applications on cranes, hoists and other industrial lifting machinery. Available complete devices, custom kits, spare parts and accessories.

P02	P03	HP03	HP05	
COMPLETE DEVICE two holes single row for small hoist Pages 8 .. 11	COMPLETE DEVICE three holes single row for small hoist Pages 12 .. 15	COMPLETE DEVICE ergonomic shape three holes for hoist Pages 16 .. 19	COMPLETE DEVICE ergonomic shape five holes for hoist Pages 20 .. 23	
HP07	HP08	PLN	TLP	
COMPLETE DEVICE with seven holes for crane ergonomic shape Pages 24 .. 29	COMPLETE DEVICE with eight holes for crane ergonomic shape Pages 30 .. 35	COMPLETE DEVICE from 5 to 12 holes in a single row for crane Pages 36 .. 47	COMPLETE DEVICE from 1 to 4 holes in a single row for truck tail lift Pages 48 .. 53	
P02K	P03K	PL .. K	PLB .. K	TLP .. K
CUSTOM KITS with 2 holes single row	CUSTOM KITS with 3 holes single row	CUSTOM KITS from 5 to 12 holes single row Pages 54 .. 64	CUSTOM KITS from 4 to 14 holes double row	CUSTOM KITS from 1 to 4 holes single row

SPARE PARTS AND ACCESSORIES

Page 65

ROTARY GEAR LIMIT SWITCHES

Pages 66 .. 89

Rotary gear limit switches represent a reliable solution as response to different exigencies of precision and durability, they are used to control specific motions in various industrial lifting machinery.

FGR0	FGR1	FGR2	FGR3
Pages 70 .. 74	Pages 75 .. 78	Pages 79 .. 82	Pages 83 .. 85

SPARE PARTS AND ACCESSORIES

Pages 86 .. 89

POSITION LIMIT SWITCHES

Pages 90 .. 101

Position limit switches are used particularly in industrial and construction lifting plants, in the automation industry, in stage technology, in particular to control hoists, winches and machine tools.

FFH	FCR	FFH2C-1	FCP245
Pages 94 .. 95	Pages 96 .. 97	Pages 98 .. 99	Pages 100 .. 101

SLIP RINGS

Pages 102 .. 103

Slip rings are used in electromechanical devices including rotating tables, surveillance systems like radars, medical machines, renewable energy sources and automation equipment.

SCUDO



Pages 102 .. 103

ALARM HORNS

Pages 104 .. 105

Audible signalling devices.

G



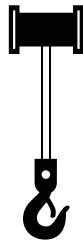
Pages 104 .. 105

PENDANT CONTROL STATIONS

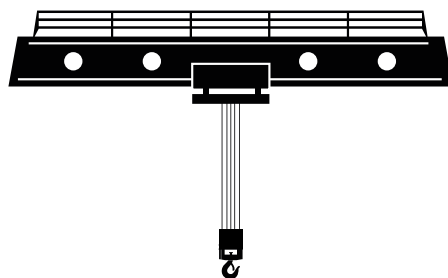
Giovenzana International B.V. has over 65 years of experience in designing and manufacturing pendant control stations and wall-mounted control stations for auxiliary and direct control, used to command and control industrial machinery. They are characterized by an ergonomic user-friendly design, an high protection class degree and high operating reliability and switching capacity. They are suitable in different sizes with a wide range of operating and switching components for various applications.

APPLICATIONS

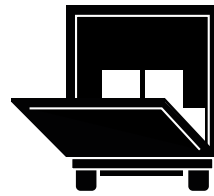
- **Industrial and construction lifting plants** to control gantry cranes, track cranes, jib cranes, wall-mounted jib cranes, tower cranes and winches for construction sites;
- **Automation industry** to command and control systems to manage machines and processes;
- **Waste disposal industry** to control the movement of machines and equipment.



HOIST



CRANE



TRUCK TAIL LIFT

Safety operating control for handling system

Giovenzana International B.V. pendant control stations and wall-mounted control stations - for universal operation of cranes, hoists and machinery - are available as **complete devices** or in **kit versions** that allows to design a tailor made product, totally customizable for every customers' needs and requirements.

The range includes different sizes (from 2 to 14 buttons) and several accessories and options, like emergency push buttons, key and lever selectors, laser engraved push buttons, led pilot lights and connection bridges for easier cabling.

The components are available with a high degree of protection against weather effects, high mechanical and electrical durability and resistance. All components have to be reliable and safe to ensure good handling control, guarantee maximum operating safety, prevent personal injuries and damage to objects.

The complete range of pendant stations is CE marked. On request our pendant stations - complete devices - could be UL certified for the American market, EAC certified for the Eurasian markets, CCC certified suitable for the Chinese market, to the quality levels required in different countries. All our electrical parts are manufactured in compliance with the Directives and Standards in conformity to global markets' needs.

FEATURES

- Available complete devices (A) or custom kits (B) to be assembled using separated components and common accessories;



- Functions: 1 or 2 speed up, 6 movements, start/alarm push button, emergency stop option available;
- Complies with IEC standards;
- CE, CCC, EAC marked;
- Available with UL/CSA requirements, upon request also in V0 material, UL approved;
- Spring loaded or screw clamp connection.

BENEFITS

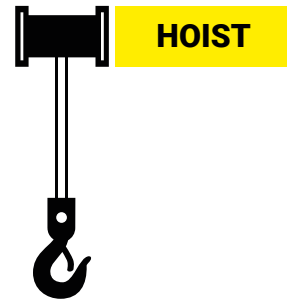
- › **High protection**
IP65 Protection class degree
- › **Standard and customized configuration**
Different sizes with wide range of operating and switching components
Tailor made configuration and combination
- › **Easy use, resistance and durability**
Ergonomic user-friendly design in various configurations from 2 to 14 operating elements
- › **Guaranteed safety**
Switching elements for auxiliary and direct control
High operating reliability and switching capacity

SERIES



P02

Pendant control station



Single row pendant control station with two holes for small hoist

Features

- Bi-directionality is mechanically interlocked;
- IP65 Double insulation (IEC / EN 60529);
- Laser engraved symbols according to EN 60204-1, FEM 9.941;
- Shock proof and heat resistant;
- Available versions: for single or double speed engines and direct control 1 kW - 1 speed;
- Available with UL/CSA requirements;
- Available upon request also in V0 material, UL approved;
- Available in kit version.

Available codes

Available codes					
P02.RM Single speed					
P02.1 Single speed					
P02.2 Single speed					
P02.4 Single speed					
P02.CD Direct control / Single speed					
P02.D2 Double speed					

Compliance and certifications

- 2014/35/UE
- 2011/65/UE RoHS
- EN 60947-1 (2007/A1 : 2011/A2 : 2014)
- EN 60947-5-1 (2004/A1 : 2009/AC : 2004/AC : 2005 EN ISO 13850 2015)
- EN 60204-1 (2006/A1 : 2009)
- EN-ISO 13849-1 (2015)
- EN ISO 13849-2 (2012)
- EN 60529 (1991/A1 : 2000/A2 : 2013)

Technical data

General characteristics		
Compliant to standards		IEC / EN60947-5-1
Material		PP
Material Group		II
Pollution class		3
Temperature	operating storage	-25°C ... +70°C -30°C ... +70°C
Climate resistance	IEC68 part 2-3 IEC68 part 2-30	hot dump unsettled hot damp
Cable entry		rubber cable sleeve Ø 7 ... 18 mm

Electrical characteristics - Contact blocks

Marking							
Rated insulation voltage [Ui]		690 V *					
Rated impulse withstand voltage [Uimp]		4 kV *					
Frequency		50/60 Hz *					
Rated thermal current [Ith]		16 A *					
Rated thermal current in enclosure [Ithe]		10 A					
Rated operational current [Ie]							
AC-15 alternate current	type: PL0040..	24 V	16 A *	60 V	12 A	120 V	8 A
		240 V	6 A	400 V	4.5 A	440 V	3.5 A
		500 V	3 A *	690 V	1 A		
DC-13 direct current	type: PL0040..	24 V	2 A *	48 V	1.2 A	60 V	0.85 A
		110 V	0.4 A	220 V	0.25 A *		
Conditional short circuit withstand current		1000 A *					
Fuses rating gC		10 A * - 500 V					
Contact insulation resistance		≤ 25 mΩ					
Switching mechanism	type: PL0040..	slow break double gap contacts					
Positive operation		NC contact blocks - positive opening					
Operating force		4 N					
Electric durability AC-15		1 A	1.5 millions of cycles	2 A	0.5 millions of cycles	3 A	0.25 millions of cycles
Terminal type	type: PL0040..	M3.5 screw terminals					
Terminal capacity	type: PL0040..	N° 1 or 2 flexible and solid conductor 1 ... 2.5 mm ²					

UL508 characteristics

Rated insulation voltage [Ui]		10 A - 600 V ac / 2.5 A - 125 V dc
Rated impulse withstand voltage [Uimp]		A600-Q600

* IMQ approved values





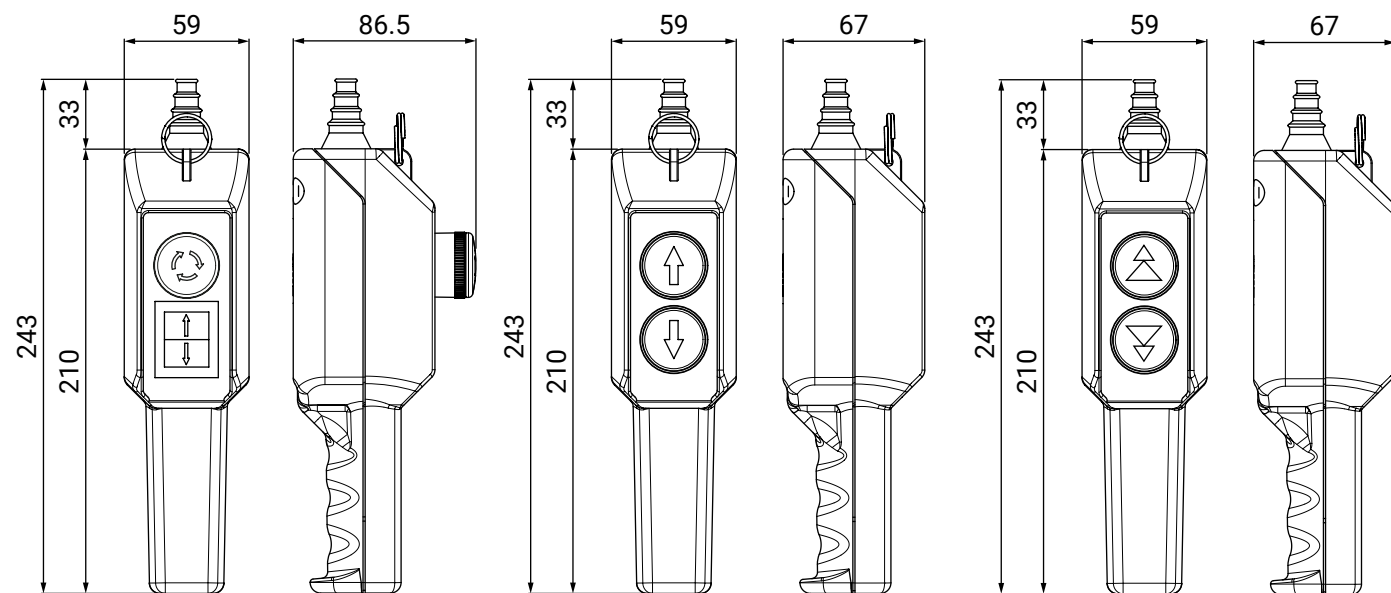
P02

Pendant control station

Available codes



P02.RM	P02.1 P02.2 P02.4 P02.CD	P02.D2
---------------	---	---------------



Standard versions

PRODUCT CODE	FUNCTION	LAYOUT	PUSH BUTTON	CONTACT CONFIGURATION
P02.RM	Single speed			1 NC
				ON - OFF - ON
P02.1	Single speed			1 NO
				1 NO
P02.2	Single speed			2 NO
				2 NO
P02.4	Single speed			1 NC + 1 NO
				1 NC + 1 NO
P02.CD	Direct control Single speed			1 NC + 2 NO
				1 NC + 2 NO
P02.D2	Double speed			NO + NO
				NO + NO

PENDANT STATIONS

CONTACT CODE

Single speed



PL004001



PL004002



11708237

Single speed
Direct control



PL004001CD



PL004002CD

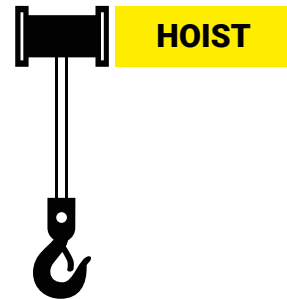
Double speed



PL004010.S

P03

Pendant control station



Single row pendant control station with three holes for small hoist

Features

- Bi-directionality is mechanically interlocked;
- IP65 Double insulation (IEC / EN 60529);
- Laser engraved symbols according to EN 60204-1, FEM 9.941;
- Shock proof and heat resistant;
- Available versions: for single or double speed motors and direct control 1 kW - 1 speed;
- Available with UL/CSA requirements;
- Available upon request also in V0 material, UL approved;
- Available in kit version.

Available codes

P03.1 Single speed	NC	NO	NO		
P03.2 Single speed	NC	NO	NO		
P03.3 Single speed	NC	NO	NO		
P03CD Direct control / Single speed	NC	NC	NO		
P03D2 Double speed	NC			NO+NO	NO+NO

Compliance and certifications

- 2014/35/UE
- 2011/65/UE RoHS
- EN 60947-1 (2007/A1 : 2011/A2 : 2014)
- EN 60947-5-1 (2004/A1 : 2009/AC : 2004/AC : 2005 EN ISO 13850 2015)
- EN 60204-1 (2006/A1 : 2009)
- EN-ISO 13849-1 (2015)
- EN ISO 13849-2 (2012)
- EN 60529 (1991/A1 : 2000/A2 : 2013)



Technical data

General characteristics		
Compliant to standards		IEC / EN60947-5-1
Material		ABS
Material Group		II
Pollution class		3
Temperature	operating storage	-25°C ... +70°C -30°C ... +70°C
Climate resistance	IEC68 part 2-3 IEC68 part 2-30	hot dump unsettled hot damp
Cable entry		rubber cable sleeve Ø 7 ... 18 mm

Electrical characteristics - Contact blocks

Marking							
Rated insulation voltage [Ui]		690 V *					
Rated impulse withstand voltage [Uimp]		4 kV *					
Frequency		50/60 Hz *					
Rated thermal current [Ith]		16 A *					
Rated thermal current in enclosure [Ithe]		10 A					
Rated operational current [Ie]							
AC-15 alternate current	type: PL0040..	24 V	16 A *	60 V	12 A	120 V	8 A
		240 V	6 A	400 V	4.5 A	440 V	3.5 A
		500 V	3 A *	690 V	1 A		
DC-13 direct current	type: PL0040..	24 V	2 A *	48 V	1.2 A	60 V	0.85 A
		110 V	0.4 A	220 V	0.25 A *		
Conditional short circuit withstand current		1000 A *					
Fuses rating gG		10 A * - 500 V					
Contact insulation resistance		≤ 25 mΩ					
Switching mechanism	type: PL0040..	slow break double gap contacts					
Positive operation		NC contact blocks - positive opening					
Operating force		4 N					
Electric durability AC-15		1 A	1.5 millions of cycles	2 A	0.5 millions of cycles	3 A	0.25 millions of cycles
Terminal type	type: PL0040..	M3.5 screw terminals					
Terminal capacity	type: PL0040..	N° 1 or 2 flexible and solid conductor 1 ... 2.5 mm²					

UL508 characteristics

Rated insulation voltage [Ui]		10 A - 600 V ac / 2.5 A - 125 V dc
Rated impulse withstand voltage [Uimp]		A600-Q600

* IMQ approved values



P03

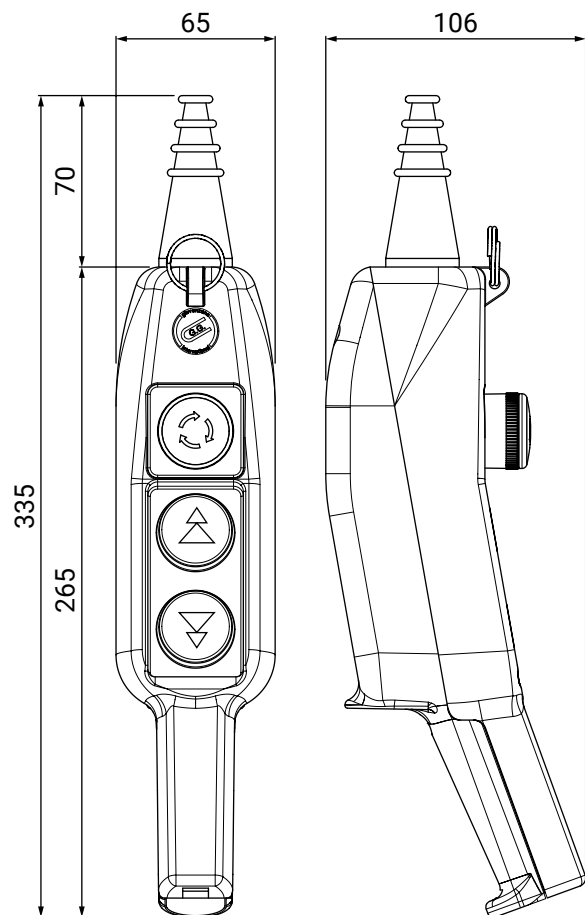
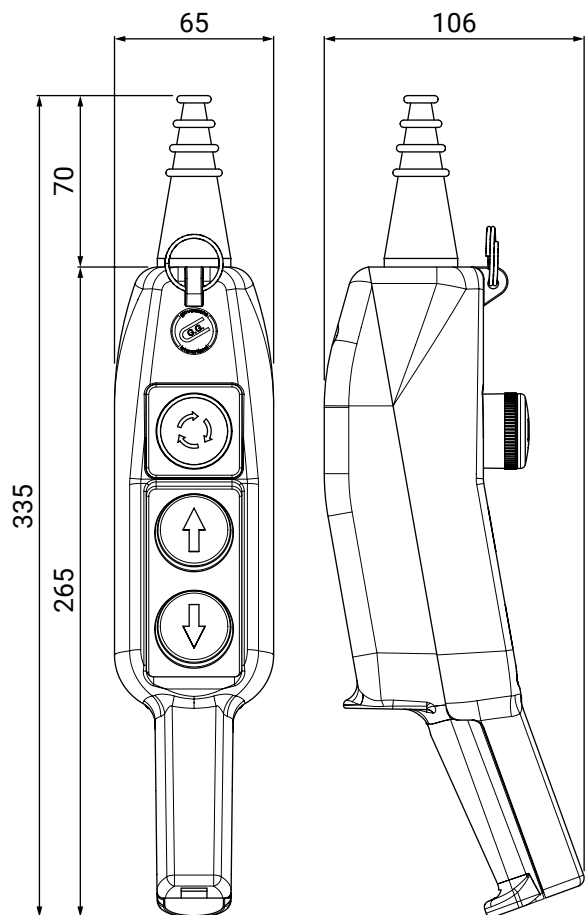
Pendant control station

Available codes



P03.1 (P03.1N - black version)
P03.2
P03.3
P03CD

P03D2



Standard versions

PRODUCT CODE	FUNCTION	LAYOUT	PUSH BUTTON	CONTACT CONFIGURATION
P03.1 P03.1N	Single speed			1 NC
				1 NO
				1 NO
P03.2	Single speed			1 NC
				2 NO
				2 NO
P03.3	Single speed			1 NC
				3 NO
				3 NO
P03CD	Direct control Single speed			2 NC + 1 NO
				1 NC + 2 NO
				1 NC + 2 NO
P03D2	Double speed			1 NC
				NO + NO
				NO + NO

CONTACT CODE

Single speed



PL004001



PL004002

Single speed
Direct control



PL004001CD



PL004002CD

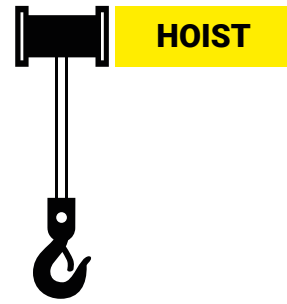
Double speed



PL004010.S

HP03

Pendant control station



Ergonomic pendant control station with three holes for hoist

Features

- Bi-directionality is mechanically interlocked;
- IP65 Double insulation (IEC / EN 60529);
- Laser engraved symbols according to EN 60204-1, FEM 9.941;
- Shock proof and heat resistant;
- Available versions: for single or double speed motors;
- Available with UL/CSA requirements;
- Available upon request also in V0 material, UL approved.

Available codes

HP03 Single speed	NC	NO	NO		
HP03.D2 Double speed	NC			NO+NO	NO+NO

Compliance and certifications

- 2014/35/UE
- 2011/65/UE RoHS
- EN 60947-1 (2007/A1 : 2011/A2 : 2014)
- EN 60947-5-1 (2004/A1 : 2009/AC : 2004/AC : 2005 EN ISO 13850 2015)
- EN 60204-1 (2006/A1 : 2009)
- EN-ISO 13849-1 (2015)
- EN ISO 13849-2 (2012)
- EN 60529 (1991/A1 : 2000/A2 : 2013)



Technical data

General characteristics		
Compliant to standards		IEC / EN60947-5-1
Material		ABS
Material Group		II
Pollution class		3
Temperature	operating storage	-25°C ... +70°C -30°C ... +70°C
Climate resistance	IEC68 part 2-3 IEC68 part 2-30	hot dump unsettled hot damp
Cable entry		Spiral cable gland M20

Electrical characteristics - Contact blocks

Marking							
Rated insulation voltage [Ui]		690 V *					
Rated impulse withstand voltage [Uimp]		4 kV *					
Frequency		50/60 Hz *					
Rated thermal current [Ith]		16 A *					
Rated thermal current in enclosure [Ithe]		10 A					
Rated operational current [Ie]							
AC-15 alternate current	type: PCW..	24 V	16 A *	60 V	12 A	110 V	5 A
		240 V	5 A *	400 V	4 A	440 V	4 A
		500 V	4 A *	690 V	2 A		
DC-13 direct current	type: PCW..	24 V	2 A	48 V	2 A *	60 V	1 A *
		110 V	0.4 A	250 V	0.4 A *		
Minimum constant current		1 mA@5Vdc, 1 mA@24Vdc					
Conditional short circuit withstand current		1000 A *					
Fuses rating gC		10 A * - 500 V					
Contact insulation resistance		≤ 25 mΩ					
Switching mechanism	type: PCW..	slow break double gap contacts					
Positive operation		NC contact blocks - positive opening					
Operating force		4 N					
Electric durability AC-15		1 A 1.5 millions of cycles 2 A 0.5 millions of cycles 3 A 0.25 millions of cycles					
Terminal type	type: PCW..	M3.5 screw terminals					
Terminal capacity	type: PCW..	N° 1 or 2 flexible and solid conductor 1 ... 2.5 mm²					

UL508 characteristics

Rated insulation voltage [Ui]		10 A - 600 V ac / 2.5 A - 125 V dc
Rated impulse withstand voltage [Uimp]		A600-Q600

* IMQ approved values



HP03

Pendant control station

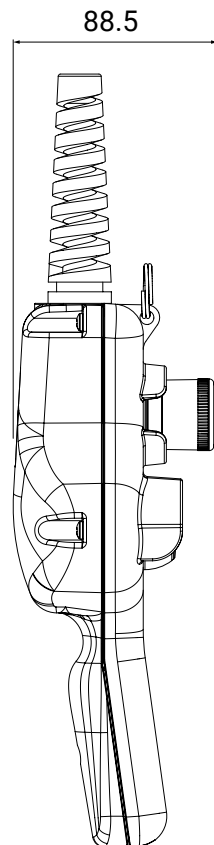
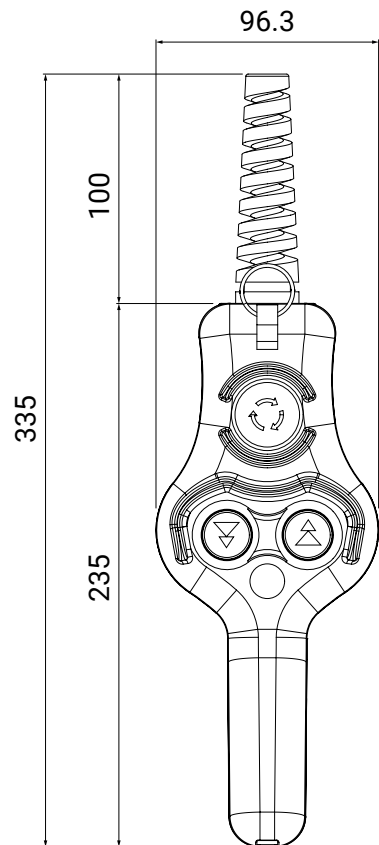
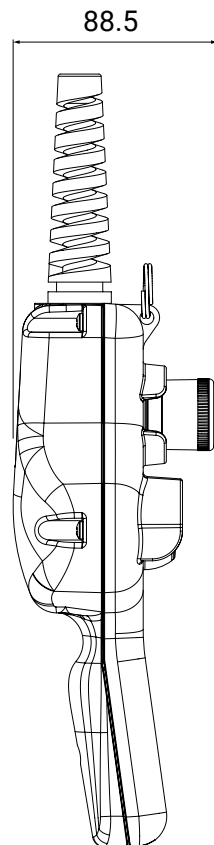
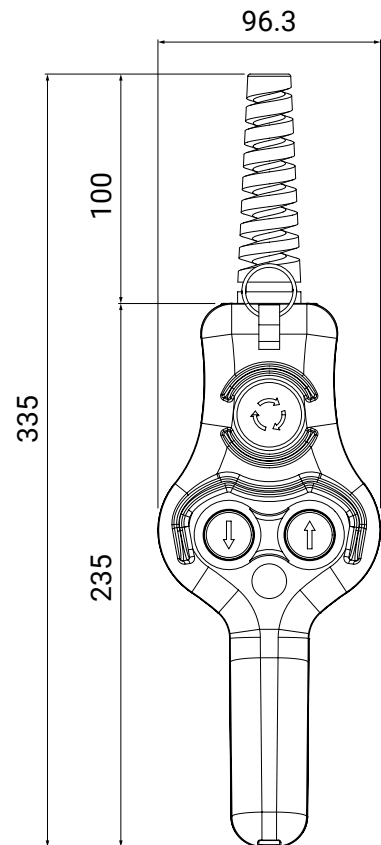
Available codes



HP03



HP03.D2



Standard versions

PRODUCT CODE	FUNCTION	LAYOUT	PUSH BUTTON	CONTACT CONFIGURATION
HP03	Single speed			1 NC
				1 NO
				1 NO
HP03.D2	Double speed			1 NC
				NO + NO
				NO + NO

CONTACT CODE

Single speed



1 NC

PCW01



1 NO

PCW10

Double speed

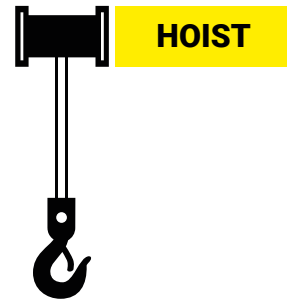


NO + NO

PCWDS

HP05

Pendant control station



Ergonomic pendant control station with five holes for hoist

Features

- Bi-directionality is mechanically interlocked;
- IP65 Double insulation (IEC / EN 60529);
- Laser engraved symbols according to EN 60204-1, FEM 9.941;
- Shock proof and heat resistant;
- Available versions: for single or double speed motors;
- Available with UL/CSA requirements;
- Available upon request also in V0 material, UL approved.

Available codes

Available codes										
HP05 Single speed	NC	NO	NO	NO	NO					
HP05.D2 Double speed	NC			NO	NO	NO+NO	NO+NO			
HP05.D4 Double speed	NC					NO+NO	NO+NO	NO+NO	NO+NO	

Compliance and certifications

- 2014/35/UE
- 2011/65/UE RoHS
- EN 60947-1 (2007/A1 : 2011/A2 : 2014)
- EN 60947-5-1 (2004/A1 : 2009/AC : 2004/AC : 2005 EN ISO 13850 2015)
- EN 60204-1 (2006/A1 : 2009)
- EN-ISO 13849-1 (2015)
- EN ISO 13849-2 (2012)
- EN 60529 (1991/A1 : 2000/A2 : 2013)



Technical data

General characteristics		
Compliant to standards		IEC / EN60947-5-1
Material		ABS
Material Group		II
Pollution class		3
Temperature	operating storage	-25°C ... +70°C -30°C ... +70°C
Climate resistance	IEC68 part 2-3 IEC68 part 2-30	hot dump unsettled hot damp
Cable entry		Cable gland M25

Electrical characteristics - Contact blocks

Marking							
Rated insulation voltage [Ui]		690 V *					
Rated impulse withstand voltage [Uimp]		4 kV *					
Frequency		50/60 Hz *					
Rated thermal current [Ith]		16 A *					
Rated thermal current in enclosure [Ithe]		10 A					
Rated operational current [Ie]							
AC-15 alternate current	type: PCW..	24 V	16 A *	60 V	12 A	110 V	5 A
		240 V	5 A *	400 V	4 A	440 V	4 A
		500 V	4 A *	690 V	2 A		
DC-13 direct current	type: PCW..	24 V	2 A	48 V	2 A *	60 V	1 A *
		110 V	0.4 A	250 V	0.4 A *		
Minimum constant current		1 mA@5Vdc, 1 mA@24Vdc					
Conditional short circuit withstand current		1000 A *					
Fuses rating gC		10 A * - 500 V					
Contact insulation resistance		≤ 25 mΩ					
Switching mechanism	type: PCW..	slow break double gap contacts					
Positive operation		NC contact blocks - positive opening					
Operating force		4 N					
Electric durability AC-15		1 A 1.5 millions of cycles 2 A 0.5 millions of cycles 3 A 0.25 millions of cycles					
Terminal type	type: PCW..	M3.5 screw terminals					
Terminal capacity	type: PCW..	N° 1 or 2 flexible and solid conductor 1 ... 2.5 mm²					

UL508 characteristics

Rated insulation voltage [Ui]		10 A - 600 V ac / 2.5 A - 125 V dc
Rated impulse withstand voltage [Uimp]		A600-Q600

* IMQ approved values



HP05

Pendant control station

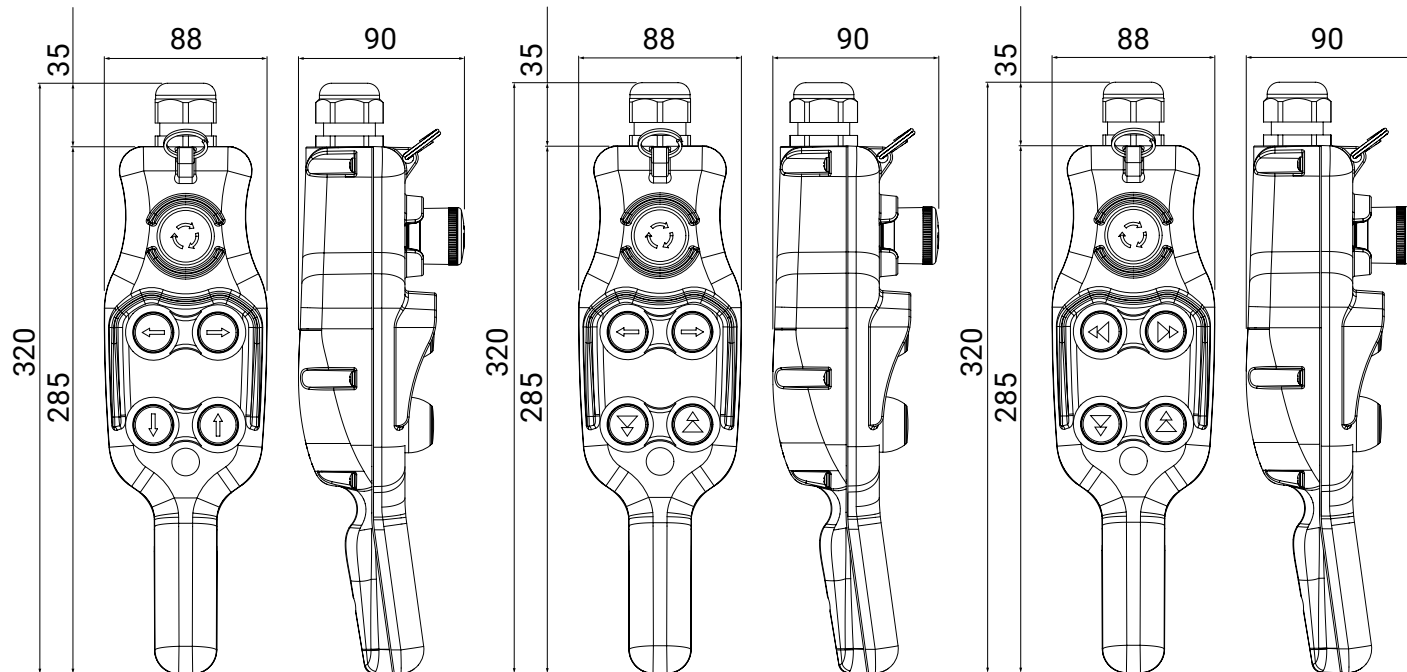
Available codes



HP05

HP05.D2

HP05.D4



Standard versions

PRODUCT CODE	FUNCTION	LAYOUT	PUSH BUTTON	CONTACT CONFIGURATION
HP05	Single speed			1 NC
				1 NO
				1 NO
				1 NO
				1 NO
HP05.D2	Single/Double speed			1 NC
				1 NO
				1 NO
				NO + NO
				NO + NO
HP05.D4	Double speed			1 NC
				NO + NO
				NO + NO
				NO + NO
				NO + NO

CONTACT CODE

Single speed



PCW01



PCW10

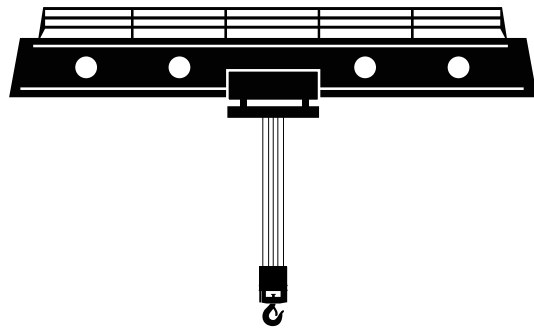
Double speed



PCWDS

HP07

Pendant control station



CRANE

Ergonomic pendant control station with seven holes for crane

Features

- Bi-directionality is mechanically interlocked;
- IP65 Double insulation (IEC / EN 60529);
- Laser engraved symbols according to EN 60204-1, FEM 9.941;
- Shock proof and heat resistant;
- Available versions: for single or double speed motors;
- Available with UL/CSA requirements;
- Available upon request also in V0 material, UL approved.

Available codes

HP07 Single speed	NC	NO	NO	NO	NO	NO	NO						
HP07.D2 Single/double speed	NC	NO	NO		NO	NO		NO+NO	NO+NO				
HP07.D4 Single/double speed	NC	NO	NO					NO+NO	NO+NO	NO+NO	NO+NO		
HP07.D6 Double speed	NC							NO+NO	NO+NO	NO+NO	NO+NO	NO+NO	NO+NO

Compliance and certifications

- 2014/35/UE
- 2011/65/UE RoHS
- EN 60947-1 (2007/A1 : 2011/A2 : 2014)
- EN 60947-5-1 (2004/A1 : 2009/AC : 2004/AC : 2005 EN ISO 13850 2015)
- EN 60204-1 (2006/A1 : 2009)
- EN-ISO 13849-1 (2015)
- EN ISO 13849-2 (2012)
- EN 60529 (1991/A1 : 2000/A2 : 2013)

Technical data

General characteristics		
Compliant to standards		IEC / EN60947-5-1
Material		ABS
Material Group		II
Pollution class		3
Temperature	operating storage	-25°C ... +70°C -30°C ... +70°C
Climate resistance	IEC68 part 2-3 IEC68 part 2-30	hot dump unsettled hot damp
Cable entry		Cable gland M25

Electrical characteristics - Contact blocks

Marking							
Rated insulation voltage [Ui]		690 V *					
Rated impulse withstand voltage [Uimp]		4 kV *					
Frequency		50/60 Hz *					
Rated thermal current [Ith]		16 A *					
Rated thermal current in enclosure [Ithe]		10 A					
Rated operational current [Ie]							
AC-15 alternate current	type: PCW..	24 V	16 A *	60 V	12 A	110 V	5 A
		240 V	5 A *	400 V	4 A	440 V	4 A
		500 V	4 A *	690 V	2 A		
DC-13 direct current	type: PCW..	24 V	2 A	48 V	2 A *	60 V	1 A *
		110 V	0.4 A	250 V	0.4 A *		
Minimum constant current		1 mA@5Vdc, 1 mA@24Vdc					
Conditional short circuit withstand current		1000 A *					
Fuses rating gC		10 A * - 500 V					
Contact insulation resistance		≤ 25 mΩ					
Switching mechanism	type: PCW..	slow break double gap contacts					
Positive operation		NC contact blocks - positive opening					
Operating force		4 N					
Electric durability AC-15		1 A	1.5 millions of cycles	2 A	0.5 millions of cycles	3 A	0.25 millions of cycles
Terminal type	type: PCW..	M3.5 screw terminals					
Terminal capacity	type: PCW..	N° 1 or 2 flexible and solid conductor 1 ... 2.5 mm ²					

UL508 characteristics

Rated insulation voltage [Ui]		10 A - 600 V ac / 2.5 A - 125 V dc
Rated impulse withstand voltage [Uimp]		A600-Q600

* IMQ approved values

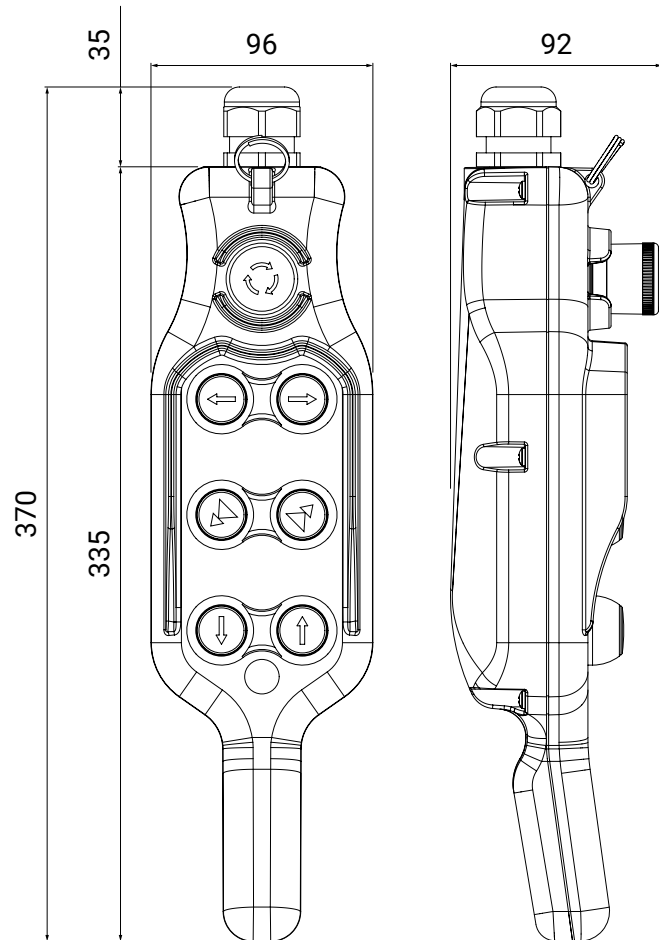
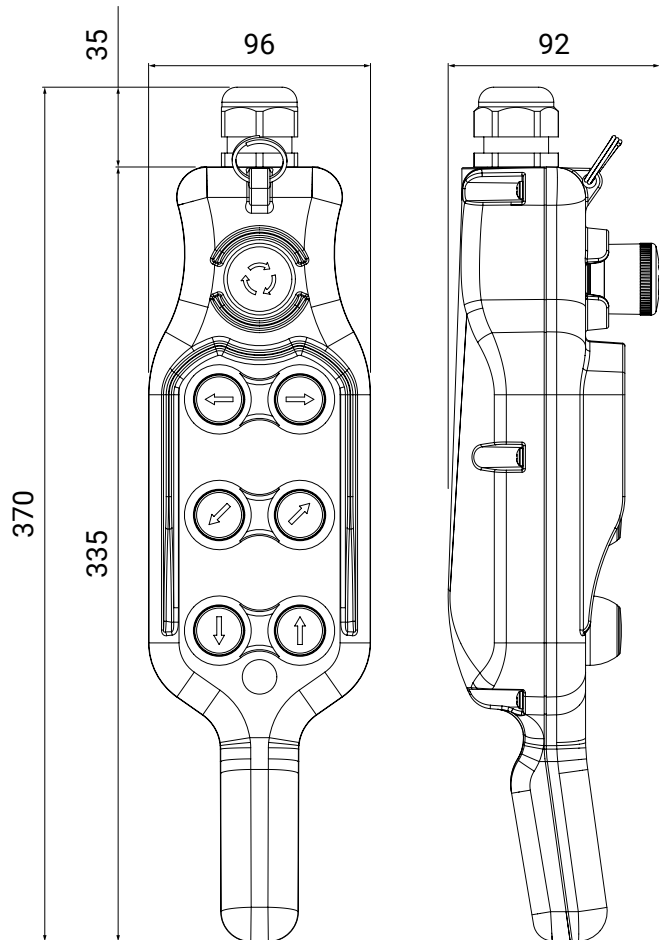


Available codes



HP07

HP07.D2

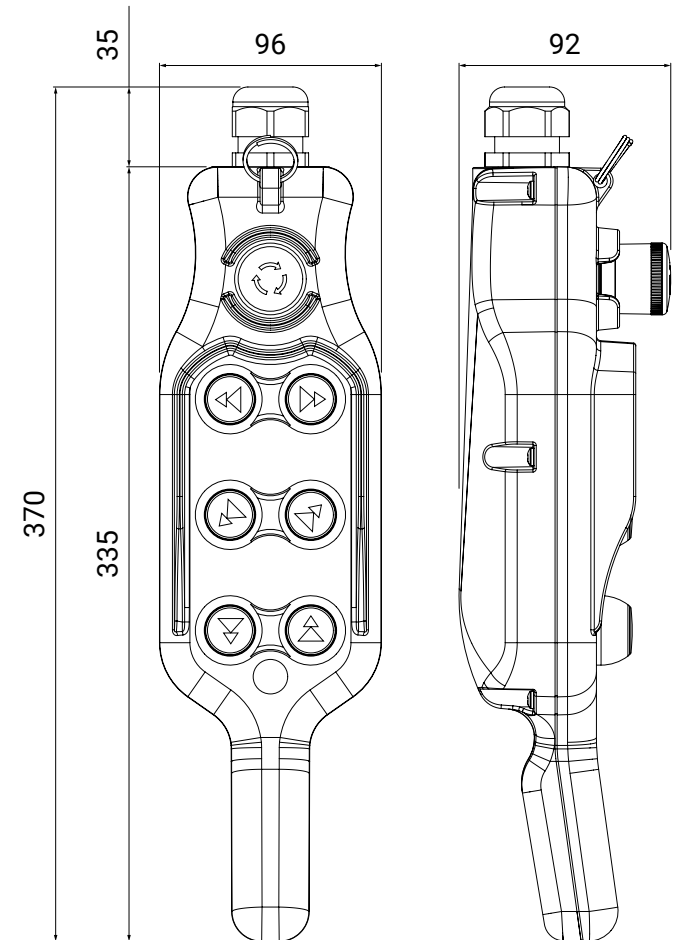
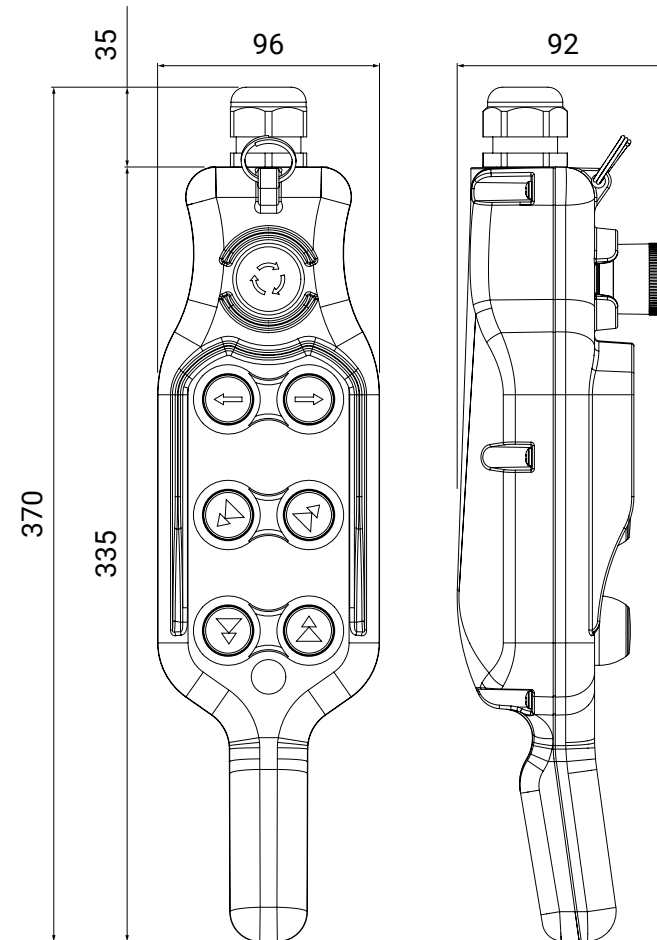


Available codes


















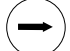



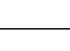
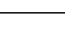






HP07.D4

HP07.D6






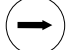



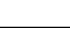
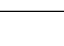












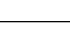





Standard versions

PRODUCT CODE	FUNCTION	LAYOUT	PUSH BUTTON	CONTACT CONFIGURATION
HP07	Single speed			 1 NC
				 1 NO
				 1 NO
				 1 NO
				 1 NO
				 1 NO
				 1 NO
			HP07.D2	Single/Double speed
	 1 NO			
	 1 NO			
	 NO + NO			
	 NO + NO			
	 1 NO			
	 1 NO			

CONTACT CODE
Single speed
 1 NC PCW01
 1 NO PCW10
Double speed
 NO + NO PCWDS

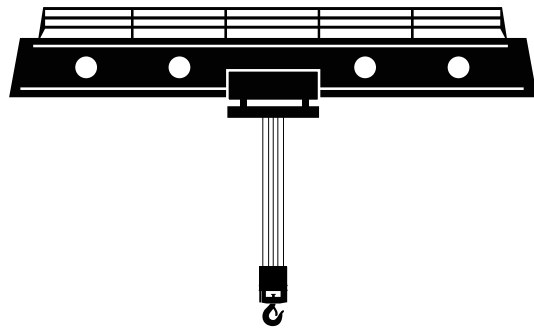
Standard versions

PRODUCT CODE	FUNCTION	LAYOUT	PUSH BUTTON	CONTACT CONFIGURATION
HP07.D4	Single/Double speed			 1 NC
				 1 NO
				 1 NO
				 NO + NO
				 NO + NO
				 NO + NO
				 NO + NO
			HP07.D6	Double speed
	 NO + NO			
	 NO + NO			
	 NO + NO			
	 NO + NO			
	 NO + NO			
	 NO + NO			

CONTACT CODE
Single speed
 1 NC PCW01
 1 NO PCW10
Double speed
 NO + NO PCWDS

HP08

Pendant control station



CRANE

Ergonomic pendant control station with eight holes for crane

Features

- Bi-directionality is mechanically interlocked;
- IP65 Double insulation (IEC / EN 60529);
- Laser engraved symbols according to EN 60204-1, FEM 9.941;
- Shock proof and heat resistant;
- Available versions: for single or double speed engines;
- Available with UL/CSA requirements;
- Available upon request also in V0 material, UL approved.

Available codes

HP08 Single speed	NC	NO	NO	NO	NO	NO	NO	NO					
HP08.D2 Single/double speed	NC	NO	NO	NO		NO	NO			NO+NO	NO+NO		
HP08.D4 Single/double speed	NC	NO	NO	NO						NO+NO	NO+NO	NO+NO	NO+NO
HP08.D6 Double speed	NC	NO								NO+NO	NO+NO	NO+NO	NO+NO

Compliance and certifications

- 2014/35/UE
- 2011/65/UE RoHS
- EN 60947-1 (2007/A1 : 2011/A2 : 2014)
- EN 60947-5-1 (2004/A1 : 2009/AC : 2004/AC : 2005 EN ISO 13850 2015)
- EN 60204-1 (2006/A1 : 2009)
- EN-ISO 13849-1 (2015)
- EN ISO 13849-2 (2012)
- EN 60529 (1991/A1 : 2000/A2 : 2013)

Technical data

General characteristics		
Compliant to standards		IEC / EN60947-5-1
Material		ABS
Material Group		II
Pollution class		3
Temperature	operating storage	-25°C ... +70°C -30°C ... +70°C
Climate resistance	IEC68 part 2-3 IEC68 part 2-30	hot dump unsettled hot damp
Cable entry		Cable gland M32

Electrical characteristics - Contact blocks

Marking							
Rated insulation voltage [Ui]		690 V *					
Rated impulse withstand voltage [Uimp]		4 kV *					
Frequency		50/60 Hz *					
Rated thermal current [Ith]		16 A *					
Rated thermal current in enclosure [Ithe]		10 A					
Rated operational current [Ie]							
AC-15 alternate current	type: PCW..	24 V	16 A *	60 V	12 A	110 V	5 A
		240 V	5 A *	400 V	4 A	440 V	4 A
		500 V	4 A *	690 V	2 A		
DC-13 direct current	type: PCW..	24 V	2 A	48 V	2 A *	60 V	1 A *
		110 V	0.4 A	250 V	0.4 A *		
Minimum constant current		1 mA@5Vdc, 1 mA@24Vdc					
Conditional short circuit withstand current		1000 A *					
Fuses rating gC		10 A * - 500 V					
Contact insulation resistance		≤ 25 mΩ					
Switching mechanism	type: PCW..	slow break double gap contacts					
Positive operation		NC contact blocks - positive opening					
Operating force		4 N					
Electric durability AC-15		1 A 1.5 millions of cycles 2 A 0.5 millions of cycles 3 A 0.25 millions of cycles					
Terminal type	type: PCW..	M3.5 screw terminals					
Terminal capacity	type: PCW..	N° 1 or 2 flexible and solid conductor 1 ... 2.5 mm²					

UL508 characteristics

Rated insulation voltage [Ui]		10 A - 600 V ac / 2.5 A - 125 V dc
Rated impulse withstand voltage [Uimp]		A600-Q600

* IMQ approved values

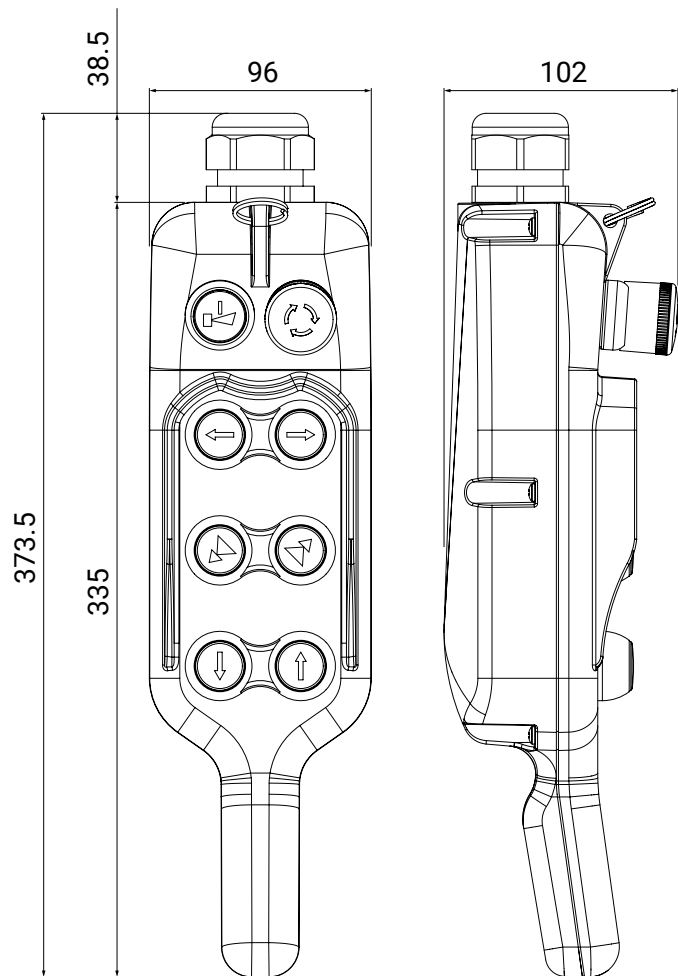
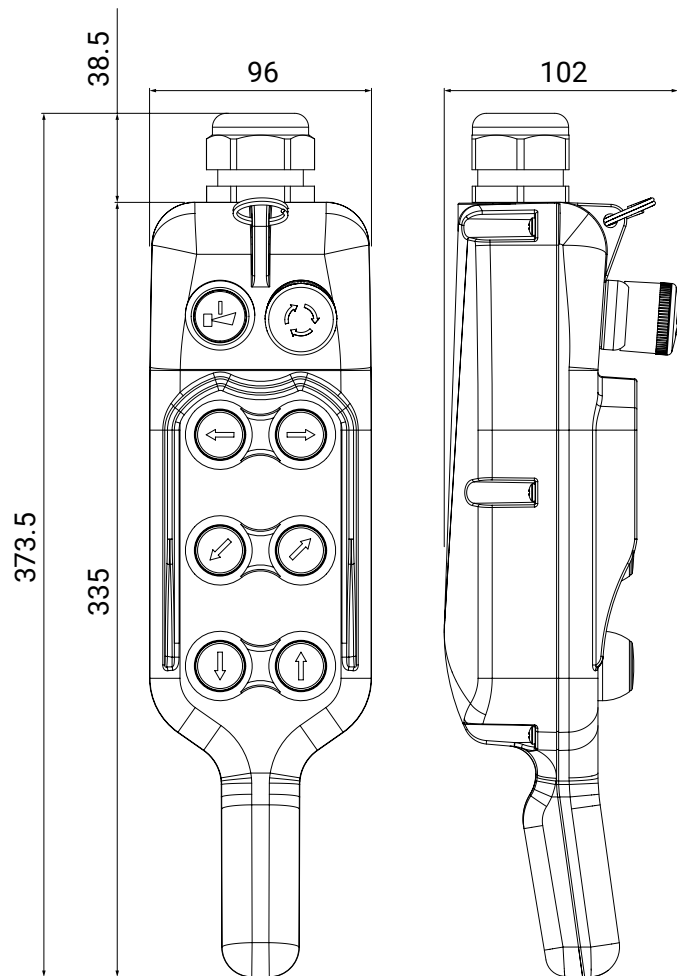


Available codes



HP08

HP08.D2

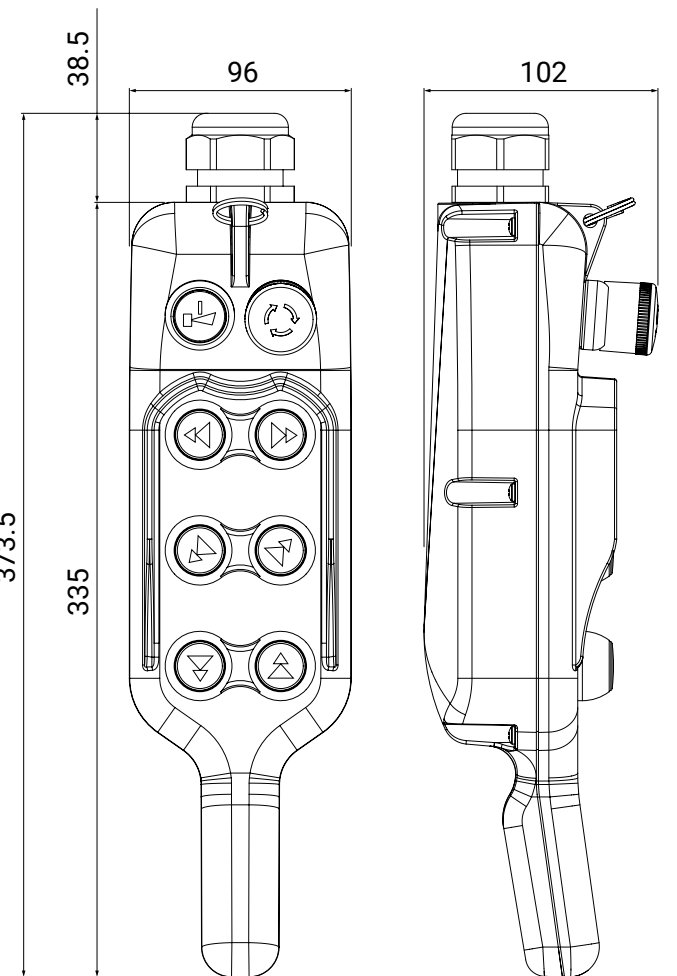
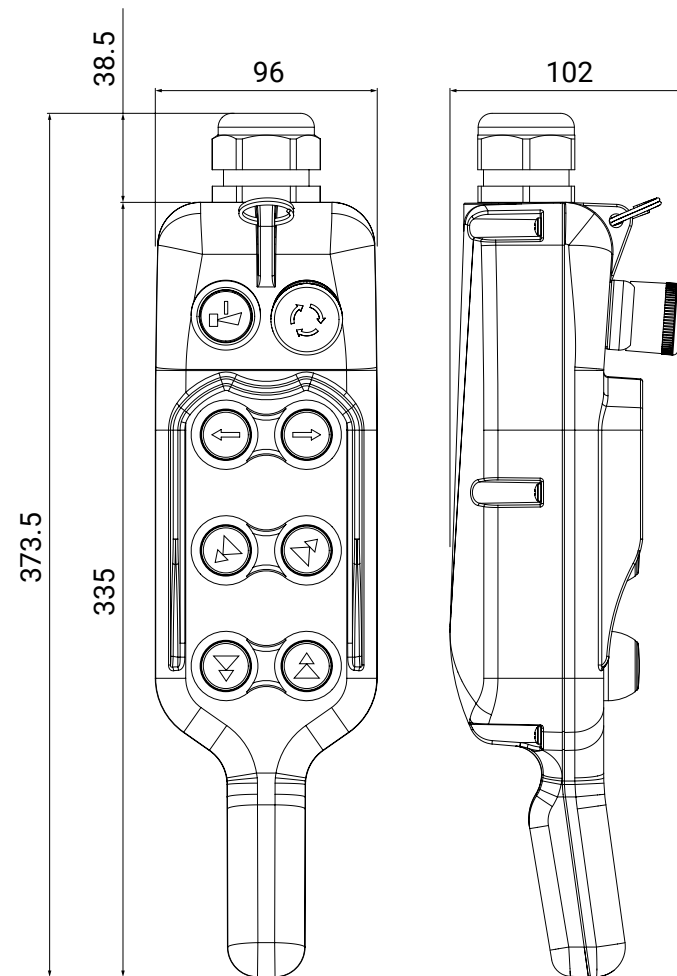


Available codes



HP08.D4

HP08.D6



Standard versions

PRODUCT CODE	FUNCTION	LAYOUT	PUSH BUTTON	CONTACT CONFIGURATION
HP08	Single speed			2 NO
				1 NC
				1 NO
				1 NO
				1 NO
				1 NO
				1 NO
				1 NO
			HP08.D2	Single/Double speed
	1 NC			
	1 NO			
	1 NO			
	NO + NO			
	NO + NO			
	1 NO			
	1 NO			

CONTACT CODE
Single speed
1 NC
PCW01
1 NO
PCW10
Double speed
NO + NO
PCWDS

Standard versions

PRODUCT CODE	FUNCTION	LAYOUT	PUSH BUTTON	CONTACT CONFIGURATION			
HP08.D4	Single/Double speed			2 NO			
				1 NC			
				1 NO			
				1 NO			
				NO + NO			
				NO + NO			
				NO + NO			
				NO + NO			
			HP08.D6	Double speed			2 NO
							1 NC
	NO + NO						
	NO + NO						
	NO + NO						
	NO + NO						
	NO + NO						
	NO + NO						

CONTACT CODE
Single speed
1 NC
PCW01
1 NO
PCW10
Double speed
NO + NO
PCWDS

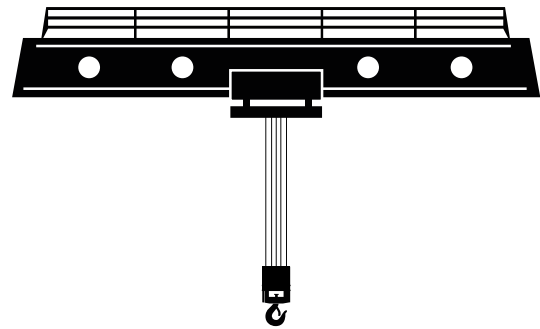


PLN

Pendant control station



Single row pendant control station
from 5 to 12 holes for crane



CRANE



5 HOLES



7 HOLES



8 HOLES



10 HOLES



12 HOLES

Features

- Bi-directionality is mechanically interlocked;
- IP65 Double insulation (IEC / EN 60529);
- Laser engraved symbols with laser marking according to EN 60204-1, FEM 9.941;
- Shock proof and heat resistant;
- Available versions: for single or double speed motors;
- Available with UL/CSA requirements, upon request also in V0 material, UL approved;
- Available in kit version (with PL laser engraved push buttons).

Available codes

	NC	NO	NO	NO	NO	NO	NO	NO	NO	NO	NO	NO	NO	NO	NO	NO	NO	NO	NO							
PLN05 Single speed	NC	NO	NO	NO	NO																					
PLN05.D2 Single/double speed	NC			NO	NO												NO+NO	NO+NO								
PLN05.D4 Double speed	NC												NO+NO	NO+NO					NO+NO	NO+NO						
PLN07 Single speed	NC	NO	NO	NO	NO	NO	NO																			
PLN07.D2 Single/double speed	NC	NO	NO	NO	NO													NO+NO	NO+NO							
PLN07.D4 Single/double speed	NC			NO	NO														NO+NO	NO+NO	NO+NO	NO+NO				
PLN07.D6 Double speed	NC																		NO+NO	NO+NO	NO+NO	NO+NO	NO+NO	NO+NO		
PLN08 Single speed	NC	NO	NO	NO	NO	NO	NO	NO																		
PLN08.D2 Single/double speed	NC	NO	NO	NO	NO	NO														NO+NO	NO+NO					
PLN08.D4 Single/double speed	NC	NO			NO	NO															NO+NO	NO+NO	NO+NO	NO+NO		
PLN08.D6 Double speed	NC	NO																			NO+NO	NO+NO	NO+NO	NO+NO	NO+NO	NO+NO
PLN10 Single/double speed	NC	NO	NO	NO	NO	NO	NO	NO													NO	NO				
PLN12 Single/double speed	NC	NO	NO	NO	NO	NO	NO	NO	NO	NO	NO	NO	NO	NO	NO	NO	NO	NO	NO	NO	NO	NO	NO	NO		

Compliance and certifications

- 2014/35/UE
- 2011/65/UE RoHS
- EN 60947-1 (2007/A1 : 2011/A2 : 2014)
- EN 60947-5-1 (2004/A1 : 2009/AC : 2004/AC : 2005 EN ISO 13850 2015)
- EN 60204-1 (2006/A1 : 2009)
- EN-ISO 13849-1 (2015)
- EN ISO 13849-2 (2012)
- EN 60529 (1991/A1 : 2000/A2 : 2013)

Technical data

General characteristics

Compliant to standards		IEC / EN60947-5-1
Material		ABS
Material Group		II
Pollution class		3
Temperature	operating storage	-25°C ... +70°C -30°C ... +70°C
Climate resistance	IEC68 part 2-3 IEC68 part 2-30	hot dump unsettled hot damp
Cable entry		rubber cable sleeve Ø 9 ... 24 mm

Electrical characteristics - Contact blocks

Marking		
Rated insulation voltage [Ui]		690 V *
Rated impulse withstand voltage [Uimp]		4 kV *
Frequency		50/60 Hz *
Rated thermal current [Ith]		16 A *
Rated thermal current in enclosure [Ithe]		10 A
Rated operational current [Ie]		
AC-15 alternate current	type: PL0040..	24 V 16 A * 60 V 12 A 120 V 8 A 240 V 6 A 400 V 4.5 A 440 V 3.5 A 500 V 3 A * 690 V 1 A
DC-13 direct current	type: PL0040..	24 V 2 A * 48 V 1.2 A 60 V 0.85 A 110 V 0.4 A 220 V 0.25 A *
Conditional short circuit withstand current		1000 A *
Fuses rating gC		10 A * - 500 V
Contact insulation resistance		≤ 25 mΩ
Switching mechanism	type: PL0040..	slow break double gap contacts
Positive operation		NC contact blocks - positive opening
Operating force		4 N
Electric durability AC-15		1 A 1.5 millions of cycles 2 A 0.5 millions of cycles 3 A 0.25 millions of cycles
Terminal type	type: PL0040..	M3.5 screw terminals
Terminal capacity	type: PL0040..	N° 1 or 2 flexible and solid conductor 1 ... 2.5 mm ²

UL508 characteristics

Rated insulation voltage [Ui]		10 A - 600 V ac / 2.5 A - 125 V dc
Rated impulse withstand voltage [Uimp]		A600-Q600

* IMQ approved values

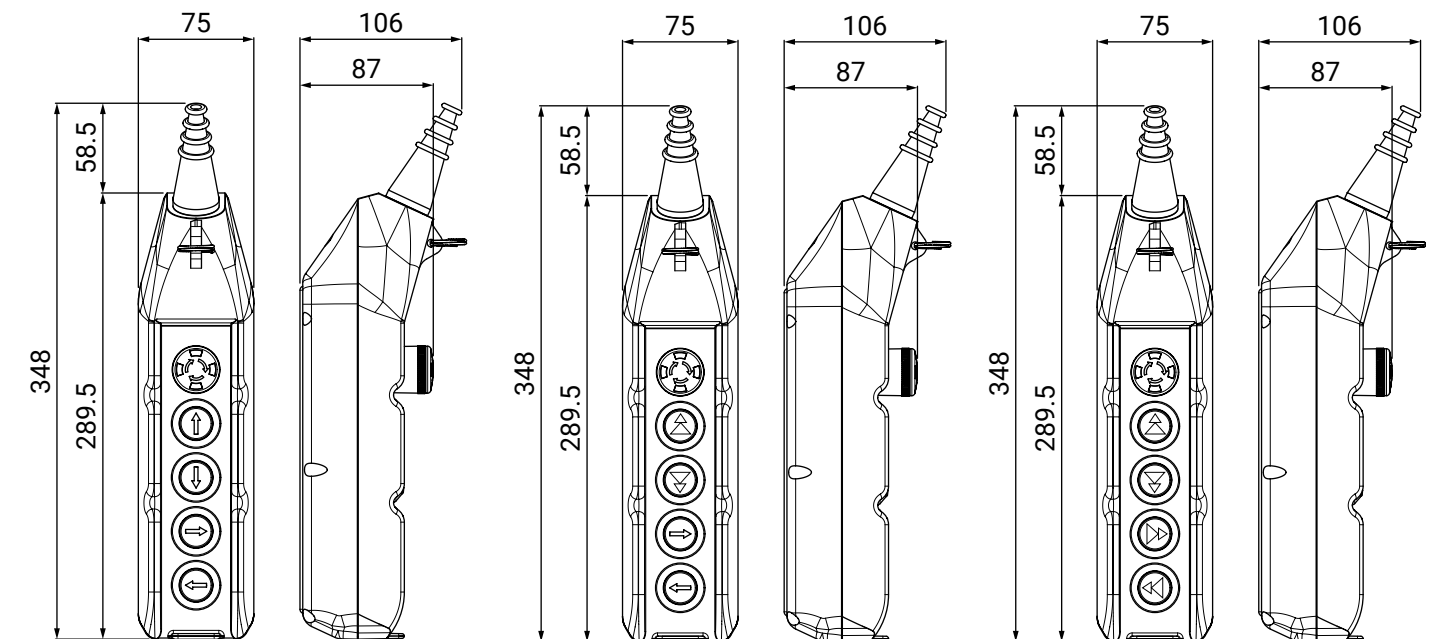
Available codes



PLN05

PLN05.D2

PLN05.D4





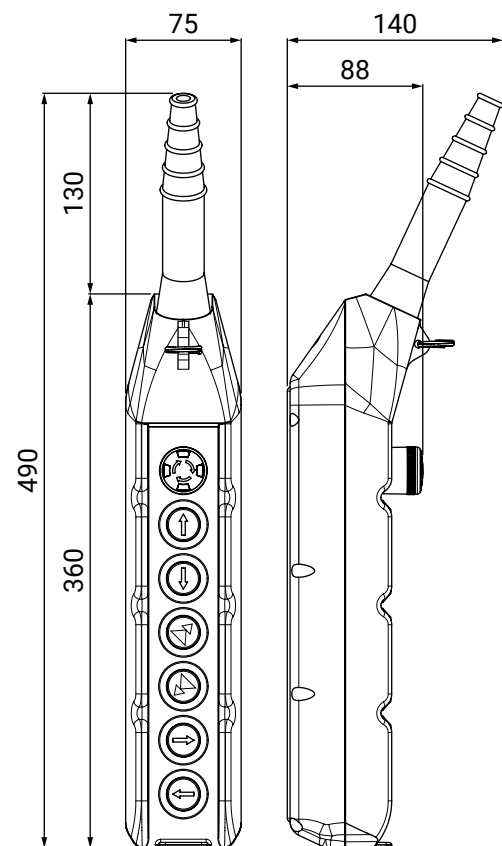
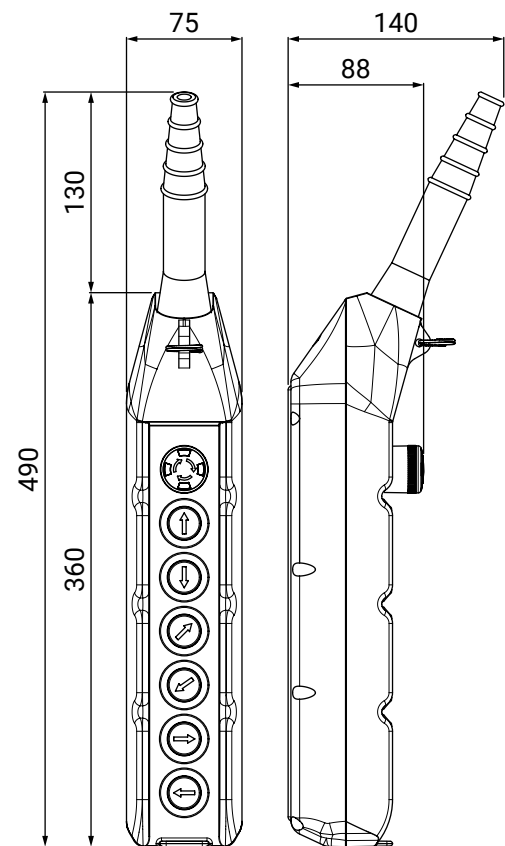
Available codes



PLN07



PLN07.D2



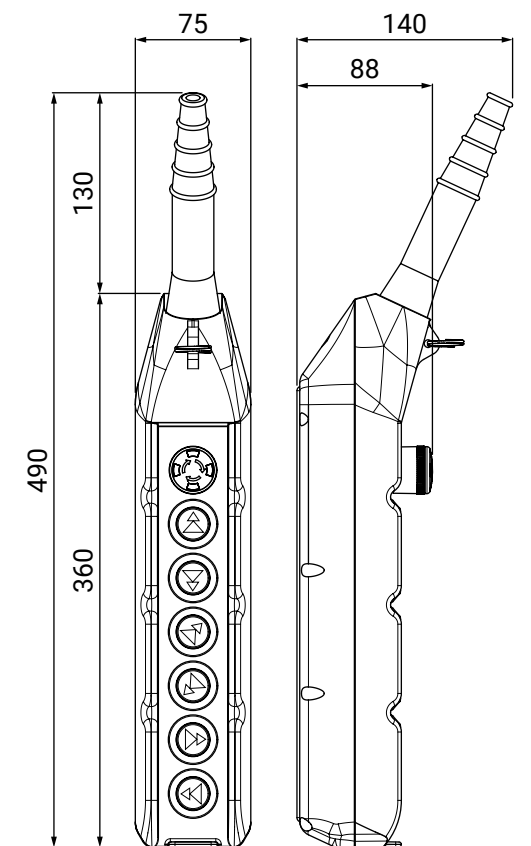
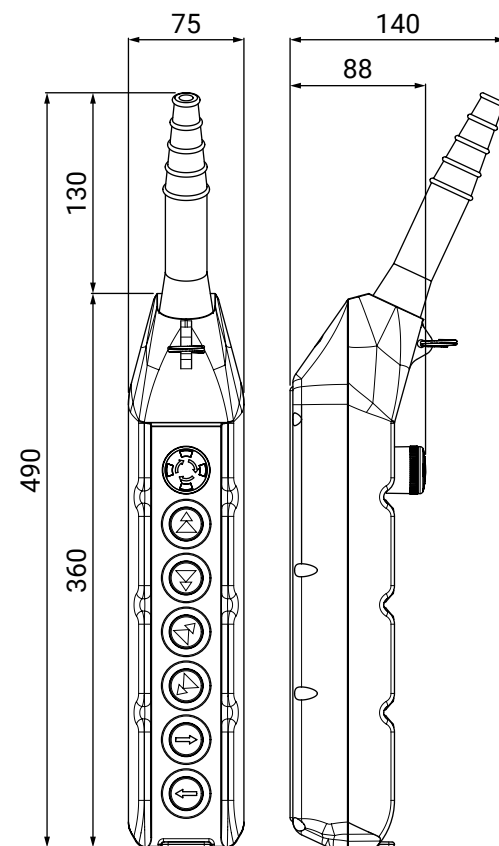
Available codes



PLN07.D4



PLN07.D6





Available codes

Available codes

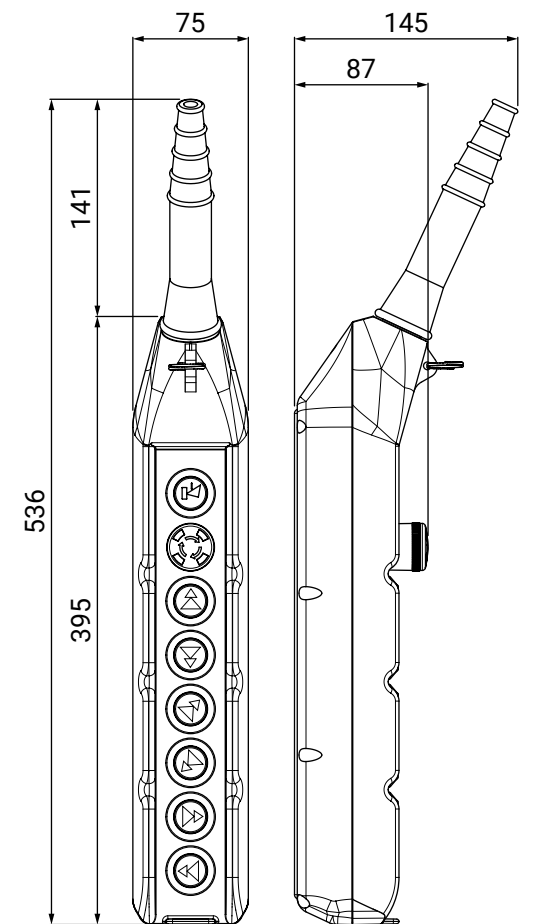
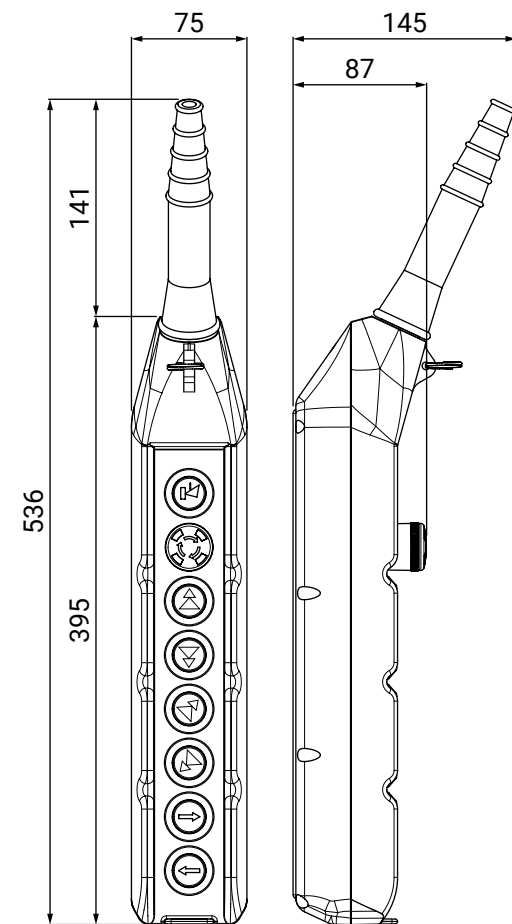
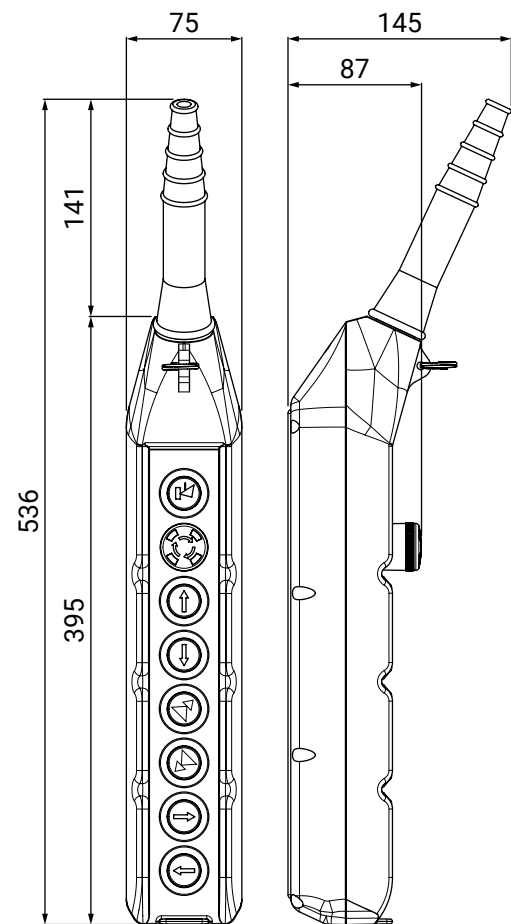
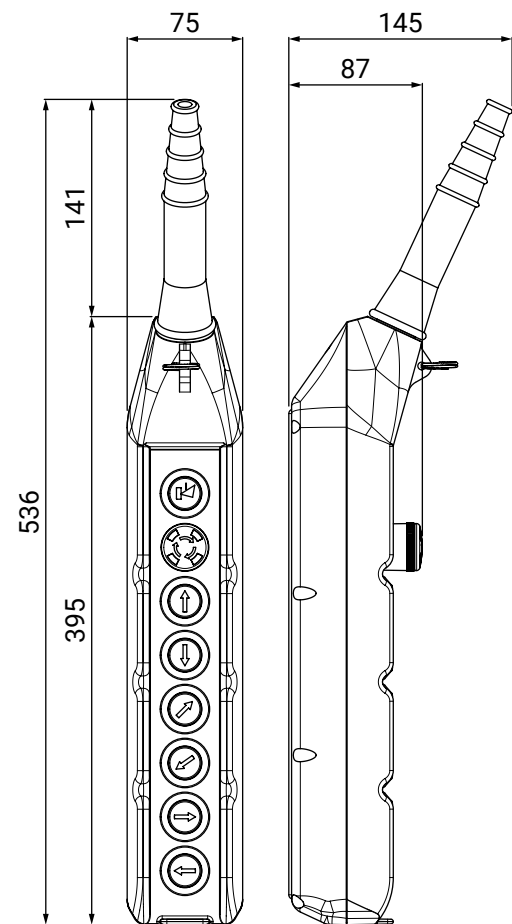


PLN08

PLN08.D2

PLN08.D4

PLN08.D6





Available codes

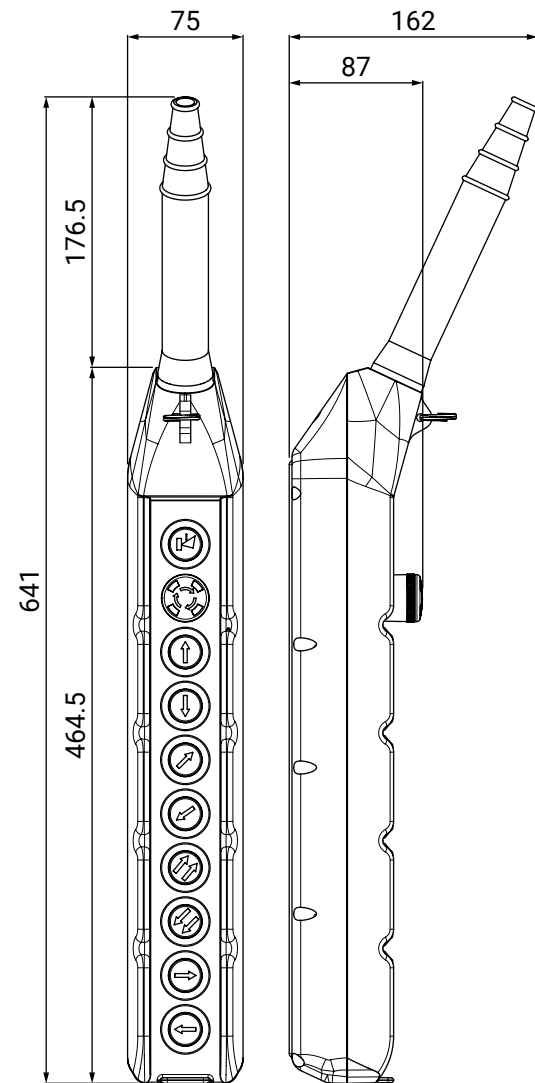
PLN10

Pendant control station

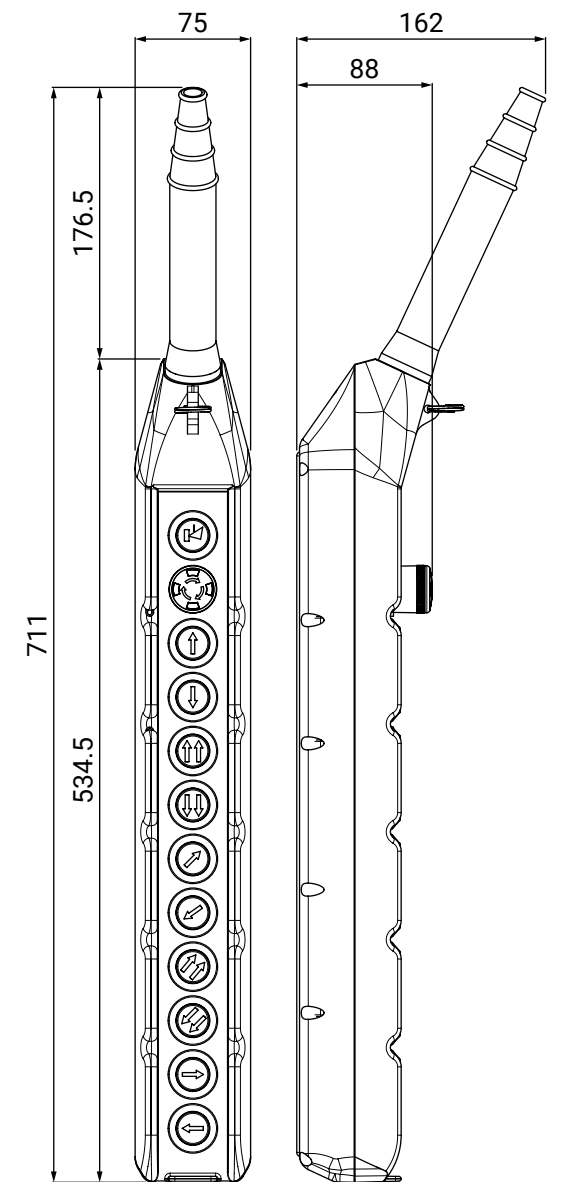
Available codes



PLN10



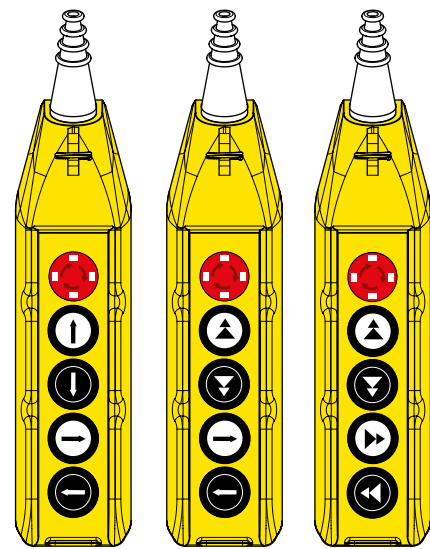
PLN12





PLN SERIES

Pendant control stations

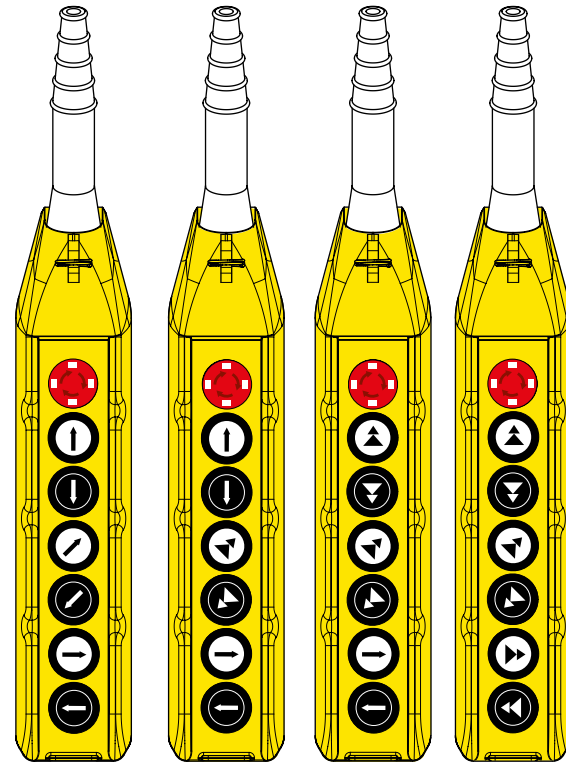


PLN05

PLN05.D2

PLN05.D4

5



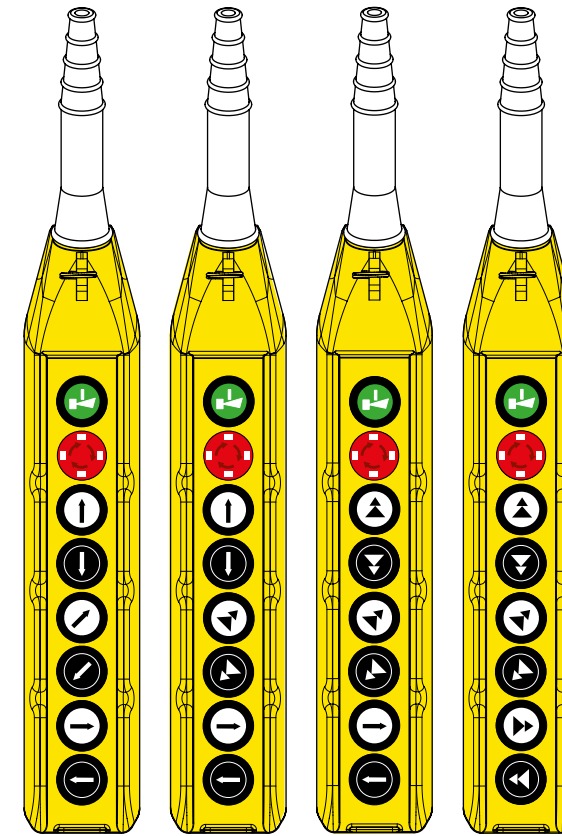
PLN07

PLN07.D2

PLN07.D4

PLN07.D6

7



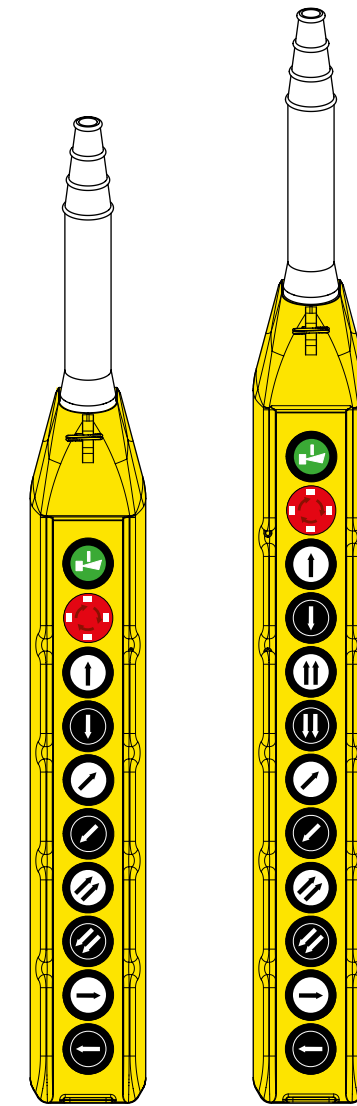
PLN08

PLN08.D2

PLN08.D4

PLN08.D6

8



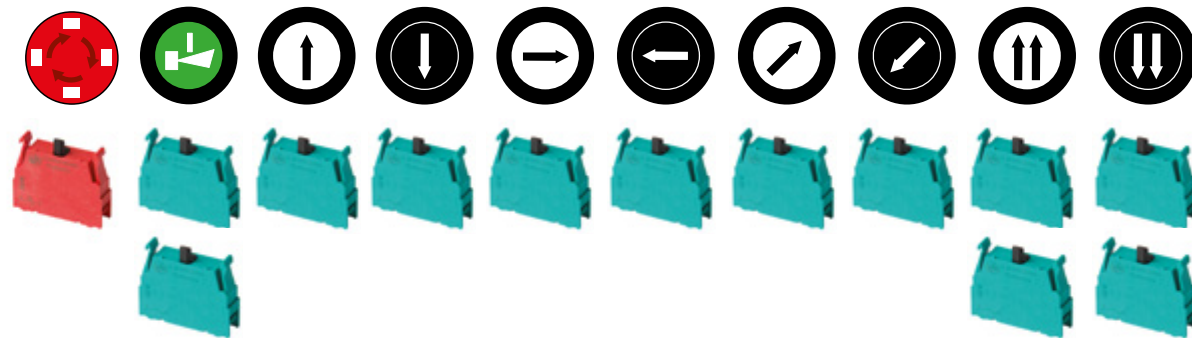
PLN10

PLN12

10

12

CONTACT CONFIGURATION



1 NC

2 NO

1 NO

1 NO

1 NO

1 NO

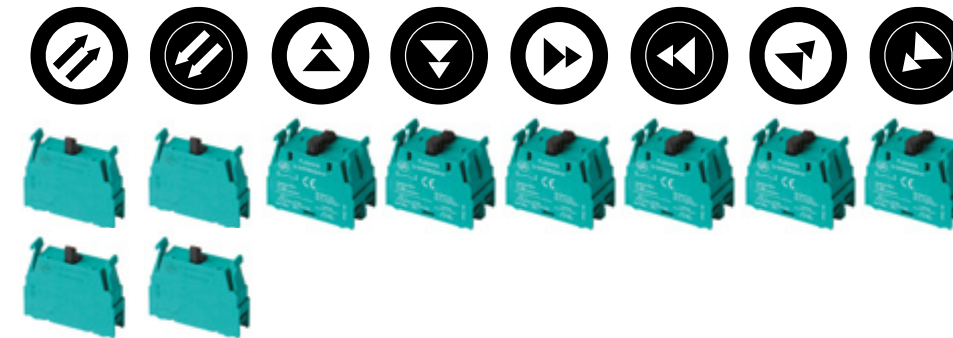
1 NO

1 NO

2 NO

2 NO

CONTACT CONFIGURATION



2 NO

2 NO

NO+NO

NO+NO

NO+NO

NO+NO

NO+NO

NO+NO

CONTACT CODE

Single speed



1 NC

PL004001



1 NO

PL004002

Double speed

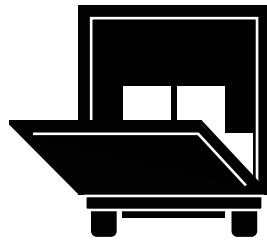


NO + NO

PL004010.S

TLP

Wall-mounted control station



TRUCK TAIL LIFT

Single row wall-mounted control station from 1 to 4 holes for truck tail lift

Features

- Bi-directionality is mechanically interlocked;
- IP65 Double insulation (IEC / EN 60529);
- Laser engraved symbols according to EN 60204-1, FEM 9.941;
- Shock proof and heat resistant;
- Available versions: from 1 to 5 holes;
- Available with UL/CSA requirements;
- Available upon request also in V0 material, UL approved.
- Available in kit version.

Available codes

TLP1.EPP		NC				
TLP1.ESR	NC					
TLP2						
TLP3.B	NC					
TLP3.D						
TLP4.C						
TLP4.E	NC					

Compliance and certifications

- 2014/35/UE
- 2011/65/UE RoHS
- EN 60947-1 (2007/A1 : 2011/A2 : 2014)
- EN 60947-5-1 (2004/A1 : 2009/AC : 2004/AC : 2005 EN ISO 13850 2015)
- EN 60204-1 (2006/A1 : 2009)
- EN-ISO 13849-1 (2015)
- EN ISO 13849-2 (2012)
- EN 60529 (1991/A1 : 2000/A2 : 2013)

Technical data

General characteristics		
Compliant to standards		IEC / EN60947-5-1
Material		PP
Material Group		II
Pollution class		3
Temperature	operating storage	-25°C ... +70°C -30°C ... +70°C
Climate resistance	IEC68 part 2-3 IEC68 part 2-30	hot dump unsettled hot damp
Cable entry		Cable gland M20

Electrical characteristics - Contact blocks

Marking							
Rated insulation voltage [Ui]		690 V *					
Rated impulse withstand voltage [Uimp]		4 kV *					
Frequency		50/60 Hz *					
Rated thermal current [Ith]		16 A *					
Rated thermal current in enclosure [Ithe]		10 A					
Rated operational current [Ie]							
AC-15 alternate current	type: PCW..	24 V	16 A *	60 V	12 A	110 V	5 A
		240 V	5 A *	400 V	4 A	440 V	4 A
		500 V	4 A *	690 V	2 A		
DC-13 direct current	type: PCW..	24 V	2 A	48 V	2 A *	60 V	1 A *
		110 V	0.4 A	250 V	0.4 A *		
Conditional short circuit withstand current		1000 A *					
Fuses rating gC		10 A * - 500 V					
Contact insulation resistance		≤ 25 mΩ					
Switching mechanism	type: PCW..	slow break double gap contacts					
Positive operation		NC contact blocks - positive opening					
Operating force		4 N					
Electric durability AC-15		1 A	1.5 millions of cycles	2 A	0.5 millions of cycles	3 A	0.25 millions of cycles
Terminal type	type: PCW..	M3.5 screw terminals					
Terminal capacity	type: PCW..	N° 1 or 2 flexible and solid conductor 1 ... 2.5 mm ²					

UL508 characteristics

Rated insulation voltage [Ui]		10 A - 600 V ac / 2.5 A - 125 V dc
Rated impulse withstand voltage [Uimp]		A600-Q600

* IMQ approved values





Available codes



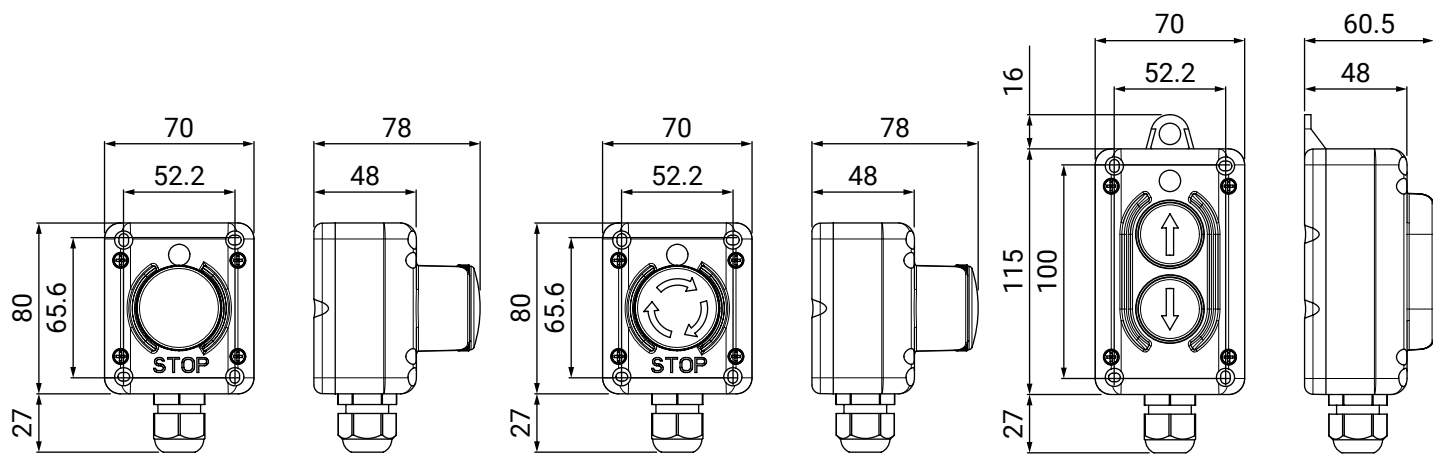
TLP1.EPP



TLP1.ESR



TLP2



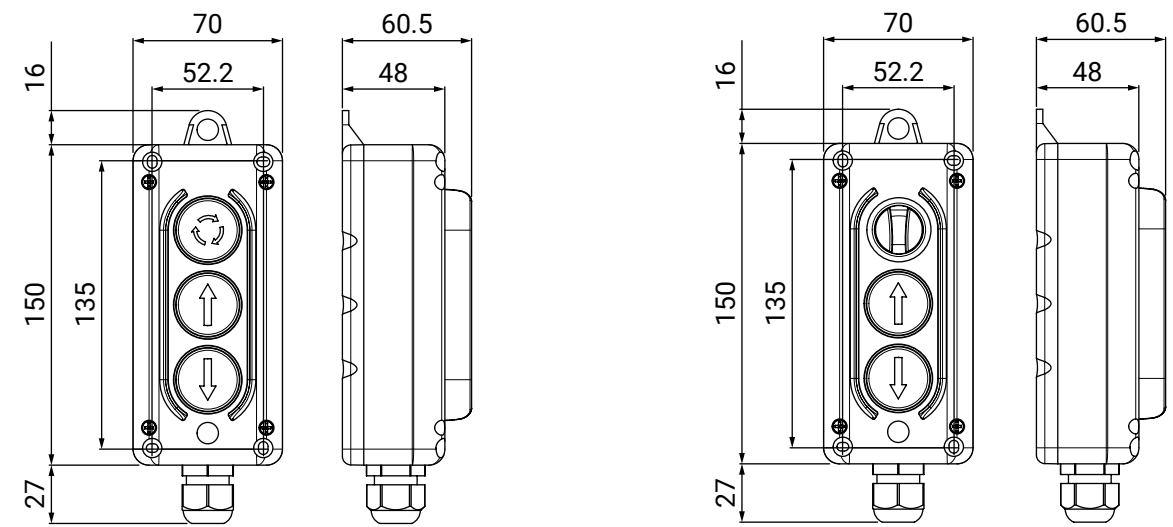
Available codes



TLP3.B



TLP3.D





TLP

Wall-mounted control station

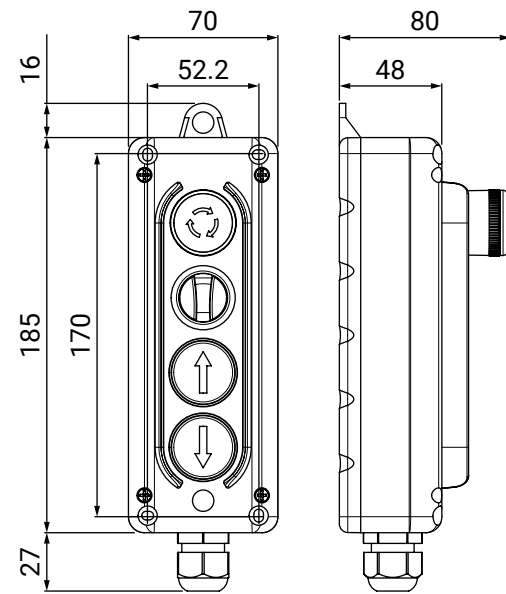
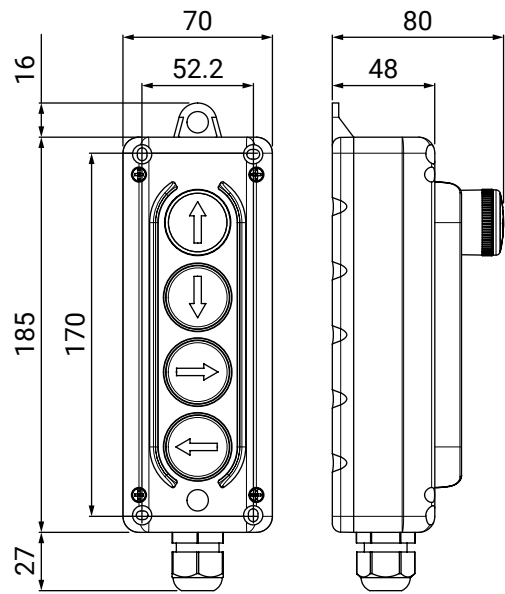
Available codes



TLP4.C



TLP4.E



Standard versions

PRODUCT CODE	LAYOUT	PUSH BUTTON	CONTACT CONFIGURATION
TLP1.EPP			1 NC
TLP1.ESR			1 NC
TLP2			1 NO
			1 NO
TLP3.B			1 NC
			1 NO
			1 NO
TLP3.D			1 NO
			1 NO
			1 NO
TLP4.C			1 NO
			1 NO
			1 NO
			1 NO
TLP4.E			1 NC
			1 NO
			1 NO
			1 NO

CONTACT CODE

Single speed



PCW01



PCW10

CUSTOM KITS

Pendant station and wall-mounted control stations

Giovenzana International B.V., leader in the field of handling system, produces a wide range of pendant control stations able to satisfy the most varied requirements. This range of products is also available in **fully custom kits**.

COMPOSE YOUR OWN CISTOM KIT IN 3 EASY STEPS:

STEP 01

Choose the **pendant station type** as to page 56.



P02K - Single row pendant station with two holes for small hoist + assembly components

P03K - Single row pendant station with three holes for small hoist + assembly components

PL .. 05K - Single row pendant station with five holes for crane + assembly components

PL .. 07K - Single row pendant station with seven holes for crane + assembly components

PL .. 08K - Single row pendant station with eight holes for crane + assembly components

PL .. 10K - Single row pendant station with ten holes for crane + assembly components

PL .. 12K - Single row pendant station with twelve holes for crane + assembly components

PLB .. 04K - Double row pendant station with four holes for crane + assembly components

PLB .. 06K - Double row pendant station with six holes for crane + assembly components

PLB .. 08K - Double row pendant station with eight holes for crane + assembly components

PLB .. 10K - Double row pendant station with ten holes for crane + assembly components

PLB .. 12K - Double row pendant station with twelve holes for crane + assembly components

PLB .. 14K - Double row pendant station with twelve holes for crane + assembly components

TLP01K - Single row wall-mounted control station with one hole for truck tail lift + assembly components

TLP02K - Single row wall-mounted control station with two holes for truck tail lift + assembly components

TLP03K - Single row wall-mounted control station with three holes for truck tail lift + assembly components

TLP04K - Single row wall-mounted control station with four holes for truck tail lift + assembly components

TLP05K - Single row wall-mounted control station with five holes for truck tail lift + assembly components

STEP 02

Choose the **laser engraved push buttons** between our three series and **additional components** as to page 58.

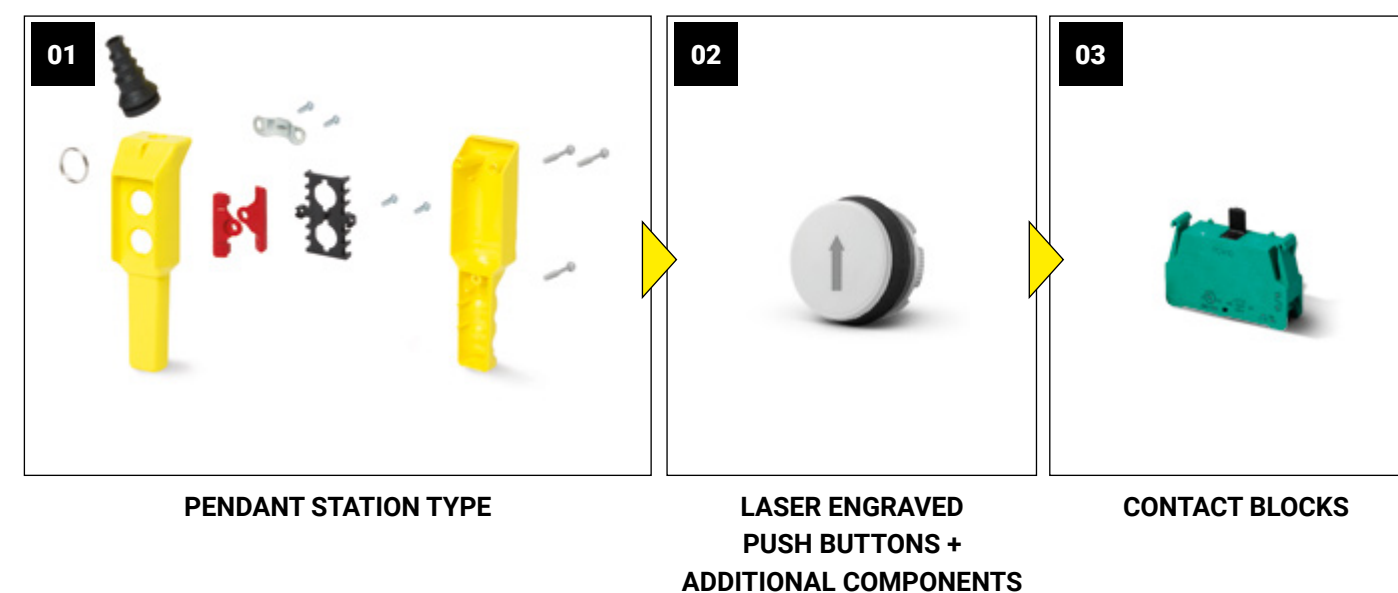


STEP 03

Choose the **contact blocks** as to page 63.



THREE EASY STEPS TO COMPOSE YOUR OWN CUSTOMIZED COMPLETE DEVICE!





CUSTOM KIT

Pendant and wall-mounted

STEP 01

CHOOSE THE PENDANT STATION TYPE

The enclosure kit includes: pendant station base and cover, screws, gasket, cable sleeve and cable clamp, suspension ring, push button interlocks and coupling plates.

The list of detailed components for each type of control station is shown in our instruction manuals downloadable on our website www.giovenzana.com in the dedicated section of the technical documentation.



<https://www.giovenzana.com/technical-documentation/>

P02K
2 HOLES

P03K
3 HOLES



PL .. 05K
5 HOLES

PL .. 07K
7 HOLES

PL .. 08K
8 HOLES



PL .. 10K
10 HOLES

PL .. 12K
12 HOLES



PLB .. 04K
4 HOLES

PLB .. 06K
6 HOLES

PLB .. 08K
8 HOLES



PLB .. 10K
10 HOLES

PLB .. 12K
12 HOLES

PLB .. 14K
14 HOLES



TLP1K
1 HOLE

TLP2K
2 HOLES



TLP3K
3 HOLES

TLP4K
4 HOLES

TLP5K
5 HOLES



CUSTOM KIT

Pendant and wall-mounted

STEP 02

CHOOSE THE LASER ENGRAVED PUSH BUTTONS

Giovenzana International B.V. offers 3 different laser engraved push buttons lines: **PLN**, **PL** and **PL for italian market** (as example of the possibility to engrave different languages on request).

FEATURES

- Wide selection of 22 mm or 30 mm operators including push buttons, rotary switches with knob or key command, pilot lights, emergency push buttons and additional components.
- Large variety of colors available.
- Laser engraved symbols are strictly according to FEM 9.941.
- Customized engraving and laser engraved push buttons in other languages are available **on minimum quantity request**.



PLN LINE

New series improved in aesthetic form and ergonomic soft touch



PL LINE

Giovenzana historical laser engraved push buttons series



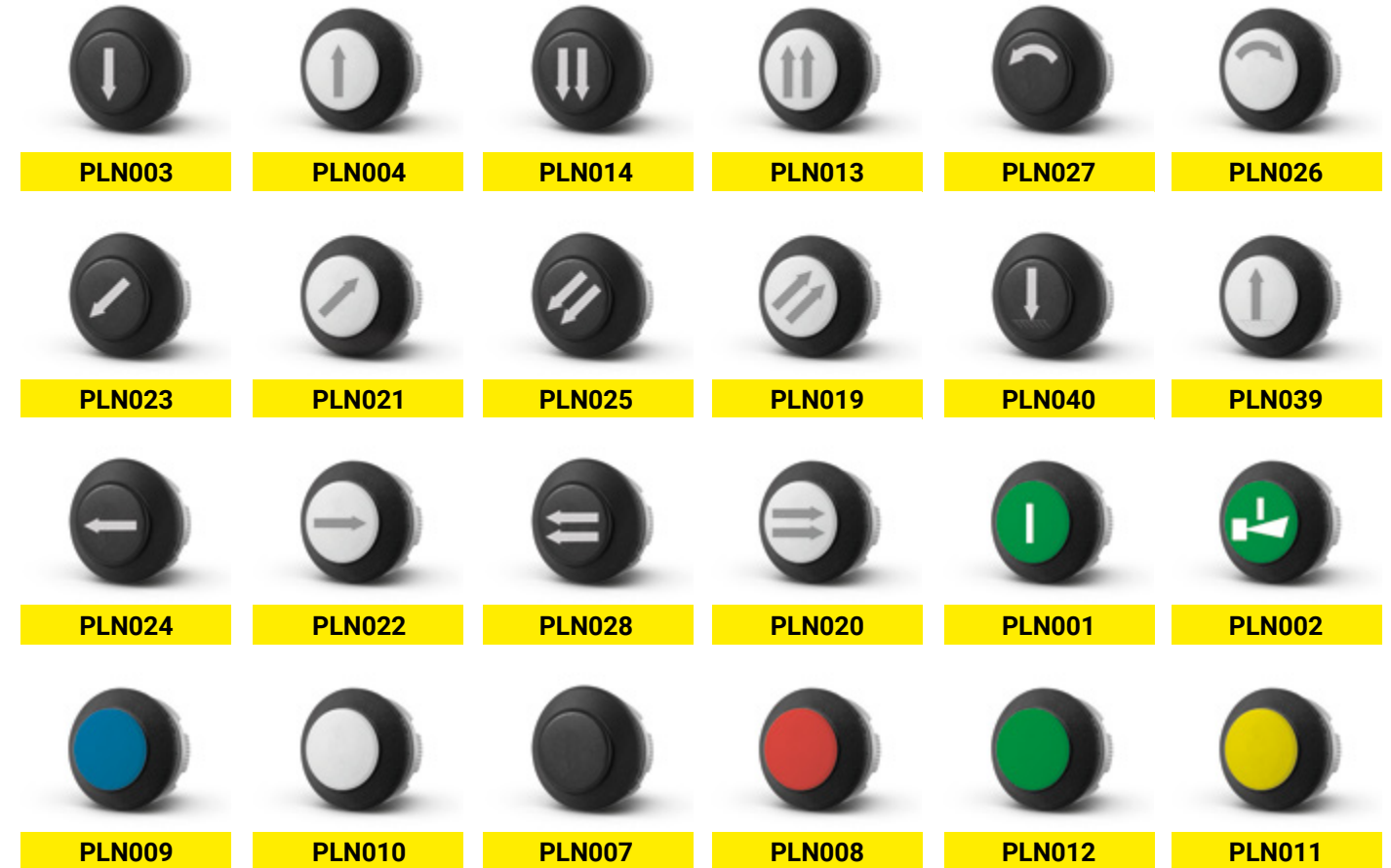
PL LINE - ITALIAN LASER ENGRAVED

Giovenzana historical italian laser engraved push buttons series (for italian market only). Available the possibility to engrave different languages on minimum quantity request.

PLN LINE

LASER ENGRAVED PUSH BUTTONS

Pair with the contact block with the matching label **A** to page 63.



DOUBLE SPEED LASER ENGRAVED PUSH BUTTONS

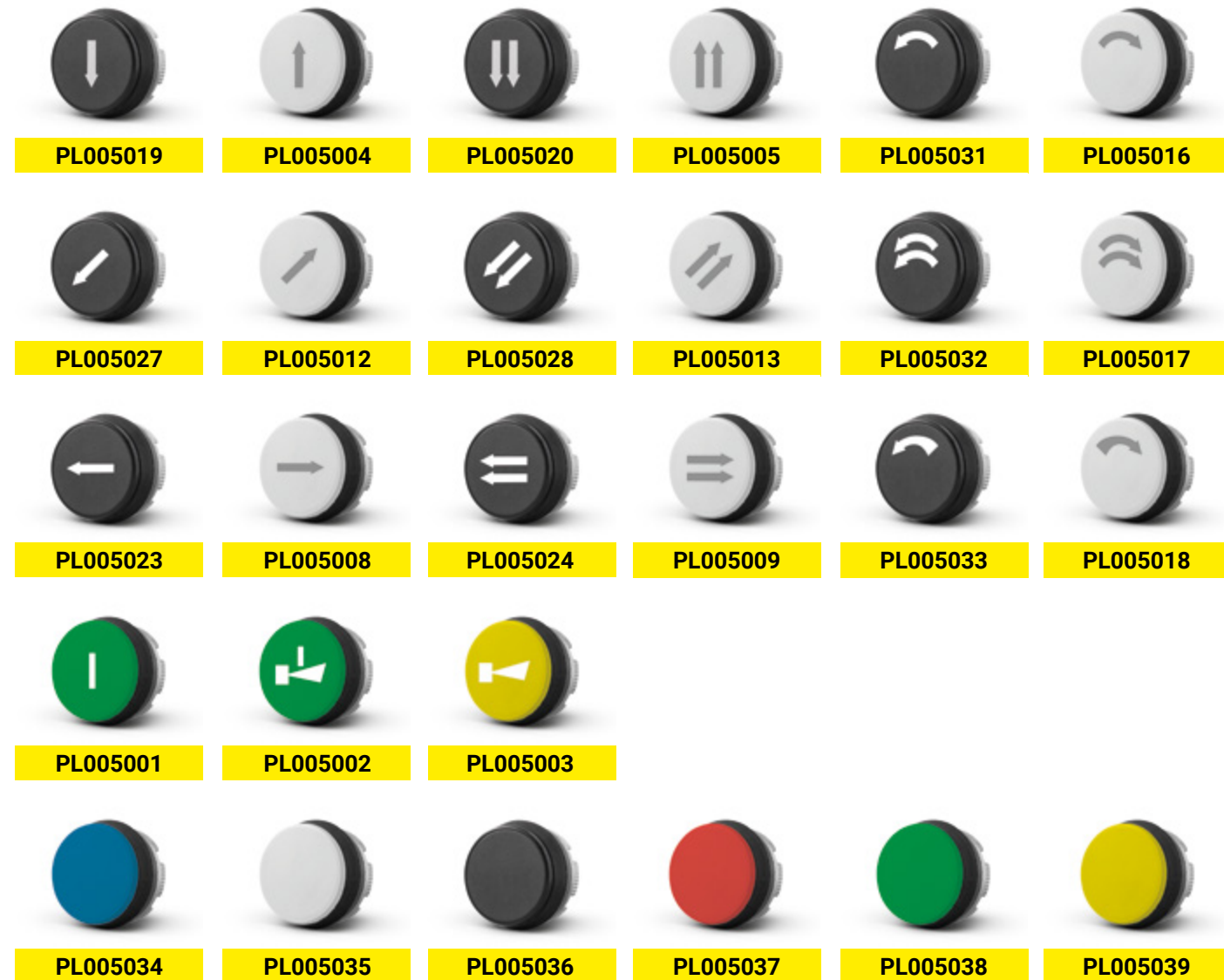
Pair with the contact block with the matching label **C** to page 64.



PL LINE

LASER ENGRAVED PUSH BUTTONS

Pair with the contact block with the matching label **A** to page 63.



DOUBLE SPEED LASER ENGRAVED PUSH BUTTONS

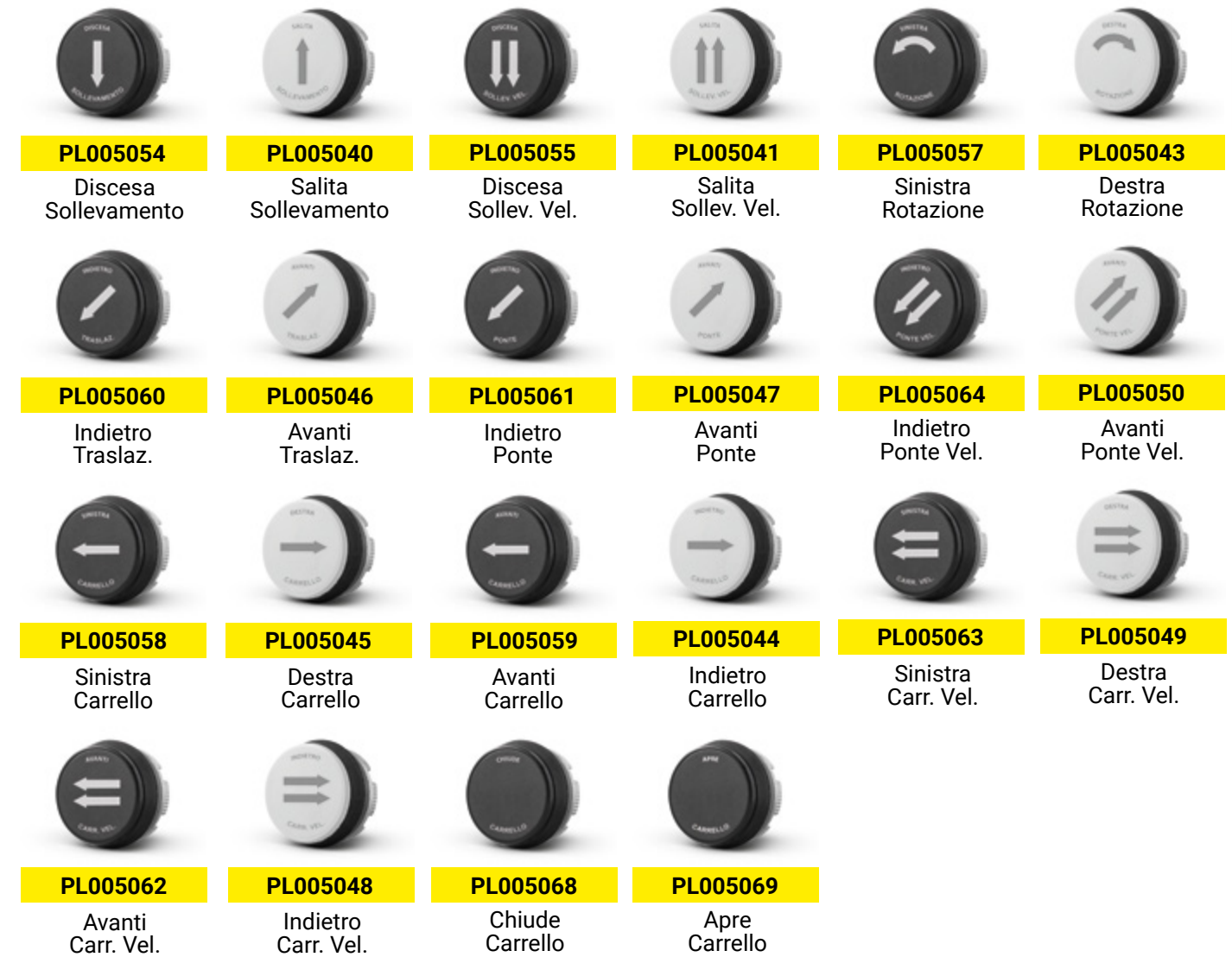
Pair with the contact block with the matching label **C** to page 64.



PL LINE - ITALIAN LASER ENGRAVED

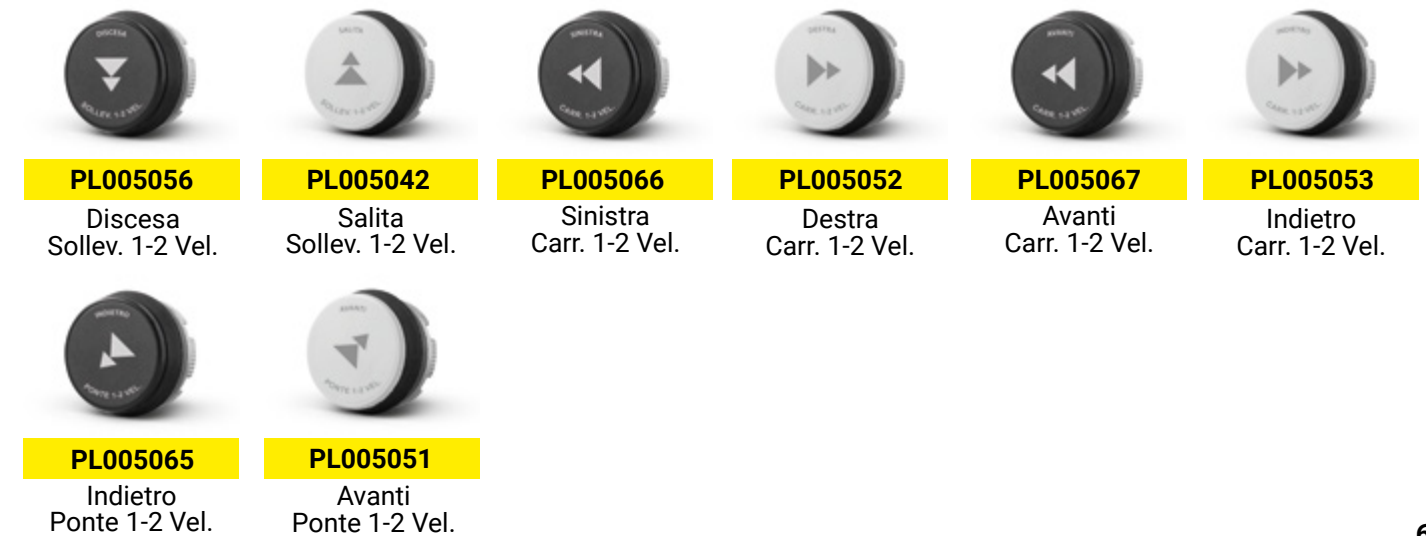
LASER ENGRAVED PUSH BUTTONS

Pair with the contact block with the matching label **A** to page 63.



DOUBLE SPEED LASER ENGRAVED PUSH BUTTONS

Pair with the contact block with the matching label **C** to page 64.



PILOT LIGHTS

Pair with the contact block with the matching label **B** to page 64.



PLSL1NL

PLSL2NL

PLSL3NL

PLSL4NL

PLSL5NL

EMERGENCY PUSH BUTTONS

Pair with the contact block with the matching label **A** to page 63.



PL013003BL

Mushroom
ø40 push-pull
momentary

PPFN1C4NX

Mushroom
ø40 with
key release

PL013001

Mushroom
ø30 twist to release
with vision

PL013002

Mushroom
ø30 twist
to release

ROTARY SWITCHES Ø22

Pair with the contact block with the matching label **A** to page 63.



PL007001BL

Rotary switch
with operator ø22
0-1 / 90°

PL007002BL

Rotary switch
with operator ø22
1-0-2 / 45°

PL007003BL

Rotary switch
with operator ø22
1>0<2 / 45°

PL006001BL

Rotary switch
with removable
key ø22,
0-1 / 90°

PL006002BL

Rotary switch
with removable
key ø22,
1-0-2 / 45°

PL006004BL

Rotary switch
with removable
key ø22,
1>0<2 / 45°

ADDITIONAL COMPONENTS



PL015001

Hole plug



PCF

Fixing key

STEP 03

PAIR THE RIGHT CONTACT BLOCKS

CONTACT BLOCKS

- Giovencana contact blocks offer the flexibility to operate multiple control circuits from a single pilot device.
- Most operators can be stacked 3 deep and up to 3 across, providing a total of maximum 9 circuits per operator in any combination.
- They are color coded for instant circuit identification to minimize wiring errors and to expedite the wiring process.
- The customers can combine contact block types to achieve his needed function.

The last step to complete your custom kit is to choose the right contact block. Pair the contact after choosing the operators and follow the directions on the right coupling.

SINGLE SPEED CONTACT BLOCKS

Pair with the laser engraved push buttons with the matching label **A** from page 59 to 61.



PL004001

PL004002

PL004001CD

PL004002CD

PCW01

PCW10

For P02 / P03 / PL.. / PLB.. series

For HP.. / TLP.. series

CODE	DESCRIPTION	DESIGNATION	FUNCTION	SIZES
PL004001	NC contact block Screw terminals Single speed	1 — NC — 2	0 1,5 6 mm	
PL004002	NO contact block Screw terminals Single speed	3 — NO — 4	0 3,5 6 mm	
PL004001CD	NC - Screw terminals Single speed Direct Control	1 — NC — 2	0 1,5 6 mm	
PL004002CD	NO - Screw terminals Single speed Direct Control	3 — NO — 4	0 3,5 6 mm	
PCW01	NC contact block Screw terminals Single speed	1 — NC — 2	0 1,5 6 mm	
PCW10	NO - Spring loaded terminals Single speed	3 — NO — 4	0 3,5 6 mm	

DOUBLE SPEED CONTACT BLOCKS

Pair with the laser engraved push buttons with the matching label **C** from page 59 to 61.



PL004010.S

Double step contact block
NO + NO

For P02 / P03 / PL / PLB / PLN / PLBN series



PCWDS

Double step contact block
NO + NO

For HP03 / TLP series

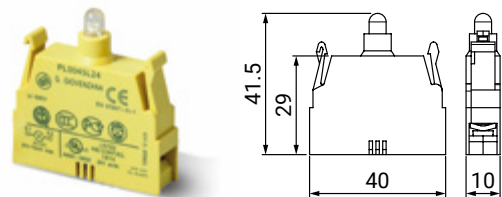
CODE	DESCRIPTION	DESIGNATION	SIZES
PL004010.S	NO contact block Screw terminals High plunger	3—NO—4 1 st speed	
	NO contact block Screw terminals Low plunger	3—NO—4 2 nd speed	
PCWDS	NO contact block Spring loaded terminals High plunger	3—NO—4 1 st speed	
	NO contact block Spring loaded terminals Low plunger	3—NO—4 2 nd speed	

LAMPHOLDER WITH BUILT-IN LED

Pair with the pilot lights with the matching label **B** to page 62.

For P02 / P03 / PL.. / PLB.. series

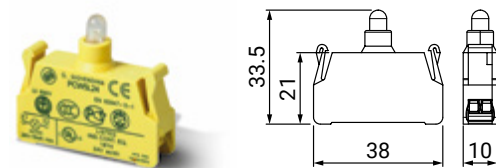
For HP.. / TLP.. series



- PL0045L12** AC/DC 12 V
- PL0045L24** AC/DC 24 V
- PL0045L48** AC/DC 48 V
- PL0045L110** AC/DC 110 V
- PL0045L220** AC/DC 220 V

DESIGNATION

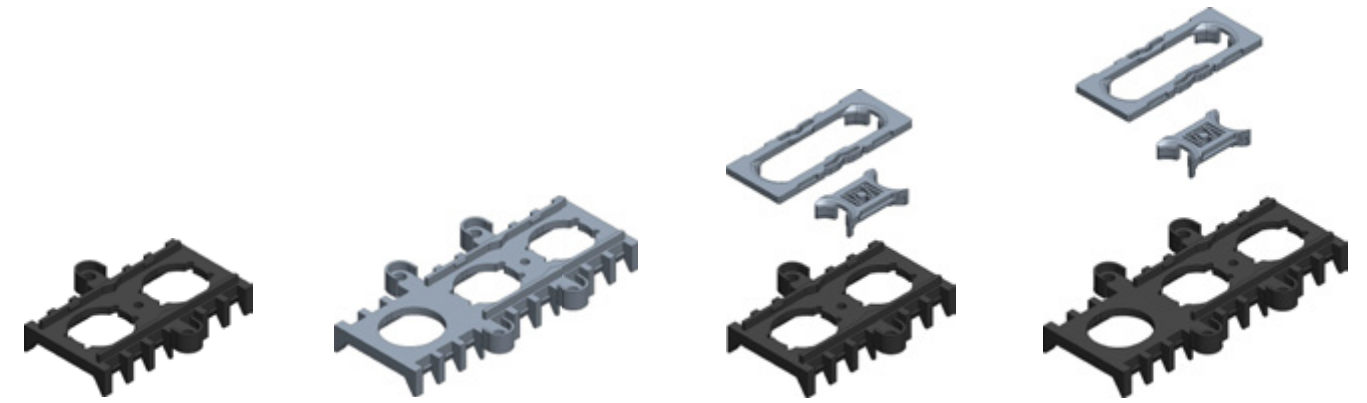
X1—⊗—X2



- PCW5L12** AC/DC 12 V
- PCW5L24** AC/DC 24 V
- PCW5L48** AC/DC 48 V
- PCW5L110** AC/DC 110 V
- PCW5L220** AC/DC 220 V

DESIGNATION

X1—⊗—X2



PL003011

Coupling plate 2 holes
for 6 contact blocks

PL003012

Coupling plate 3 holes
for 9 contact blocks

20100242

Locking support 2 holes
for 6 contact blocks

20100243

Locking support 3 holes
for 9 contact blocks



12906011

P02 series
cable gland Ø 7 .. 14



12906006

P03 / PL .. 05 series
cable gland Ø 7 .. 18



12906004

PL .. 07 > PL .. 12 series
PLB .. 04 > PLB .. 06 series
cable gland Ø 9 .. 21



12906005

PLB .. 08 > PLB .. 14 series
cable gland Ø 12 .. 24



12901054

HP03 / TLP.. series
spiral cable gland M20 x 1.5



PL012001

Cable clamp
lever



16000061

Wall bracket
1 .. 3 holes



16000062

Wall bracket
4 .. 5 holes

ROTARY GEAR LIMIT SWITCHES

For more than 65 years, **Giovenzana International B.V.** has been designing and producing rotary gear limit switches, offering now four different series.

Rotary gear limit switches are used to control the movement of industrial machinery when it's necessary to measure movement based on the rotation angle and/or the number of shaft revolutions, providing upper, lower and/or intermediate limits for moving machinery and mechanisms.

Usually connected to the motor shaft, the rotary gear limit switch uses a series of gears and cams to activate a microswitch when the appropriate number of rotations is reached. This is generally used to stop the motor when a moving load has reached the desired position or final positions.

The device, through a gear transmission, controls a cam system operating on 2, 4 or more microswitches that after a certain number of revolutions predispose the motor or the equipment to the start or stop.

Each cam is equipped with a "micrometric" adjustable register screw that operates in an independent way, so it is possible to calibrate the opening and closing of each microswitch according to the necessary requirements.

The gear transmission system allows to choose different ratios and can be supplied in a bi-protruding shaft version or with linear control (potentiometer or encoder).

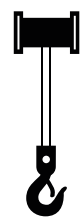
Each series of rotary limit switch has specific features which reduce time and costs for installation and maintenance.

Giovenzana International B.V. offers rotary gear limit switches with standard input ratios from 1:12 to 1:400 (custom input ratios are available on request up to 1:1482). They can be configured with maximum 6 contacts and combined with encoders and potentiometers to reach your own needs. We can offer snap action switches and different cam type to meet customers requirements.

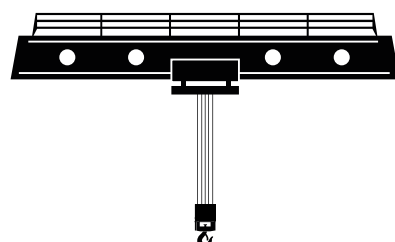
The wide range of the input ratios (standards and customized) available in our series, make every customers and applications needs satisfied.

APPLICATIONS

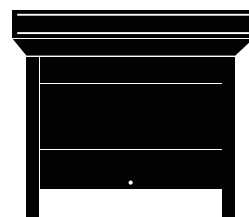
Giovenzana rotary limit switches are suitable for several applications: from lifting machinery to industrial overhead doors and boat lifts, from theatre lighting hoists to renewable energy systems, like wind turbines.



HOIST



CRANE



INDUSTRIAL DOORS



WIND TURBINES

SERIES



FGR0



FGR1



FGR2



FGR3

FEATURES

- The revolutions of the shaft are transmitted to a cam switch mechanism, through which mechanical switching contacts are actuated.
- Different ratios (also direct ratios) are available for the rotary gear limit switches of the FGR series.
- The switch can be equipped with a maximum of 8 switching contacts.
- Positive opening NC contacts for safety functions.
- Each cam can be individually adjusted to the desired position and thus enables flexible definition of end positions and reference points. More accurate adjustment of cams by means of screws.
- To reduce abrasion and rust, the transmission and guide shafts of the gears are made of stainless steel.
- The circumferential rubber gasket provides great protection against dust and water, allowing IP66 protection to be easily achieved for the entire products range.
- The optimised interior allows quick and easy cabling.

BENEFITS

- › High protection class degree
- › Extreme temperature resistance: -30°C to +70°C
- › Easy use, resistance and durability
- › Guaranteed safety



FGR0

FGR1

FGR2

FGR3

GENERAL CHARACTERISTICS

CASE	Self-extinguishing thermoplastic material	Thermoplastic glass fiber reinforced material
PROTECTION CLASS	IP67 - IEC / EN 60529	IP65 - IEC / EN 60529
RATIO	1:12, 1:25, 1:33, 1:50, 1:75, 1:100, 1:150, 1:200, 1:400	1:12, 1:33, 1:50, 1:75, 1:100, 1:150, 1:200, 1:400
DIRECT RATIO	1:25, 1:50	1:50, 1:75, 1:100
SHAFT TYPE	Stainless steel mounted on self-lubricating bush protected by sealing rings on both sides Double overhang shaft version available on request	Stainless steel Double overhang shaft version available on request
FIXING TYPE	Base fixing Front fixing (flanged)	Base fixing Front fixing (flanged)
MICRO SWITCHES	Nr 4 max - micrometric adjustment of roller lever (long life)	Nr 4 max - micrometric adjustment of roller lever (long life)
CAM BLOCK	Self-lubricating with transparent support for easier cam viewing	Self-lubricating with transparent support for easier cam viewing
CABLE ENTRY	M16 (max 2)	M16 or M20 (max 4)
AMBIENTAL TEMPERATURE	Operating: -25°C ... +70°C Storage: -30°C ... +70°C	Operating: -25°C ... +70°C Storage: -30°C ... +70°C

ELECTRICAL CHARACTERISTICS

MICRO SWITCHES CONNECTIONS	MFI.3 - 6.3 x 0.8 faston terminal MFI.3STP - Screws M3 for wire 1.5 mm ² with plate protection	MFI.7 - 6.3 x 0.8 faston terminal
STANDARD CONFORMITY	IEC / EN 61058-1, UL 1054, EN 60204-1, EN 60947-1, EN 60947-5-1	IEC / EN 61058-1, UL 1054, EN 60204-1, EN 60947-1, EN 60947-5-1
MARKING	CE, cRUus, CCC, EAC	CE, cRUus, CCC, EAC
RATED INSULATION VOLTAGE - U_i	250V	250V
RATED THERMAL CURRENT - I_{th}	8A	8A
RATED OPERATING CURRENT	Resistive Load: 8A - 250 V AC Inductive Load: 3A - 250 V AC	8A - 250 V AC 3A - 250 V AC
RATED IMPULSE WITHSTAND VOLTAGE - U_{imp}	1500 V	1500 V
POSITIVE OPENING	NC positive opening (→)	NC positive opening (→)
CONTACT BLOCKS	1NC - 1 NO changeover snap action / silver plated - self cleaning	1NC - 1 NO changeover snap action / silver plated - self cleaning
PROTECTION CLASS	IP40 (IP00 terminals) in according to EN 60529	IP40 (IP00 terminals) in according to EN 60529

OPTIONS

DOUBLE OVERHANG SHAFT	Available	Available
POTENTIOMETER	According to customer request	-
ENCODER	-	-
CAM SHAPES	5 different cam shapes	5 different cam shapes
PINIONS	On request	20 different pinion shapes

GENERAL CHARACTERISTICS

CASE	Aluminium housing / self-extinguishing cover V0 UL94	Thermoplastic glass fiber reinforced material
PROTECTION CLASS	IP65 - IEC / EN 60529	IP66
RATIO	-	From 1:8 to 1:3572 (according to the configuration)
DIRECT RATIO	1:12, 1:33, 1:50, 1:100, 1:200	-
SHAFT TYPE	Steel mounted on ball bearings Double overhang shaft version available on request	AISI 304 Stainless steel mounted on ball bearings Double overhang shaft version available on request
FIXING TYPE	Base fixing Front fixing (flanged)	Base fixing
MICRO SWITCHES	Nr 6 max - micrometric adjustment	Nr 8 max - micrometric adjustment of roller lever (long life)
CAM BLOCK	Self-lubricating	Self-lubricating with transparent support for easier cam viewing
CABLE ENTRY	M20 (max 2)	M20 (max 3)
AMBIENTAL TEMPERATURE	Operating: -25°C ... +70°C Storage: -30°C ... +70°C	Operating: -40°C ... +90°C Storage: -40°C ... +90°C

ELECTRICAL CHARACTERISTICS

MICRO SWITCHES CONNECTIONS	MFI.7 - 6.3 x 0.8 faston terminal	MFI.7 - 6.3 x 0.8 faston terminal
STANDARD CONFORMITY	IEC / EN 61058-1, UL 1054, EN 60204-1, EN 60947-1, EN 60947-5-1	IEC / EN 61058-1, UL 1054, EN 60204-1, EN 60947-1, EN 60947-5-1
MARKING	CE, cRUus, CCC, EAC	CE, cRUus, CCC, EAC
RATED INSULATION VOLTAGE - U_i	250V	250V
RATED THERMAL CURRENT - I_{th}	8A	8A
RATED OPERATING CURRENT	Resistive Load: 8A - 250 V AC Inductive Load: 3A - 250 V AC	8A - 250 V AC 3A - 250 V AC
RATED IMPULSE WITHSTAND VOLTAGE - U_{imp}	1500 V	1500 V
POSITIVE OPENING	NC positive opening (→)	NC positive opening (→)
CONTACT BLOCKS	1NC - 1 NO changeover snap action / silver plated - self cleaning	1NC - 1 NO changeover snap action / silver plated - self cleaning
PROTECTION CLASS	IP40 (IP00 terminals) in according to EN 60529	IP40 (IP00 terminals) in according to EN 60529

OPTIONS

DOUBLE OVERHANG SHAFT	Available	Available
POTENTIOMETER	-	According to customer request
ENCODER	-	According to customer request
CAM SHAPES	3 different cam shapes	5 different cam shapes
PINIONS	20 different pinion shapes	20 different pinion shapes



FGRO

Rotary gear limit switch



Rotary gear limit switch with overall reduced sizes

The **FGRO** is a device for controlling revolutions of rotating components or the angular position of industrial or construction machinery. A typical application is for small cranes. Also suitable for different applications such as automatic doors or automatic roofs in greenhouses. The unit, through a system of gears and cams transmission, controls 2 or 4 microswitches so, after a certain number of revolutions, predispose the motor or the equipment to the start or stop operation.

The microswitches have a calibration screw that works independently on each cam; so you can calibrate the opening and closing of each micro according to the necessary functional requirements.

The system change allows you to choose different ratios from 1:12 to 1:1480.

General features

- Different versions available:
 - base fixing;
 - front fixing (with standard flange and flange with increased lead);
 - with double overhang shaft (on request).
- Overall size is reduced.
- Two different cover heights depending on whether the device is equipped with 2 or 4 microswitches.
- IP67 protection class (IEC / EN 60529).
- Available in different ratios: 1:12, 1:25, 1:33, 1:50, 1:75, 1:100, 1:150, 1:200, 1:400 (optional on request).
- Available in direct ratio: 1:25, 1:50 (others direct ratio on request).
- Micro switches:
 - device available with 2 or 4 microswitches;
 - the working point is adjustable with a calibration screw;
 - each switch has 1NO + 1NC inside;
 - positive opening for NC contacts.

Compliance and certifications

- 2014/35/UE - 2014/33/UE - 2011/65/UE - 2015/863/UE
- EN 60947-1 (2007/A1 : 2011/A2 : 2014)
- EN 60947-5-1 (2004/A1 : 2009/AC : 2004/AC : 2005)
- EN 60204-1 (2006/A1 : 2009)
- EN 60529 (1991/A1 : 2000/A2 : 2013)
- EN 50581 (2012)
- IEC 63000 (2016)

Base Fixing versions

X-ray view



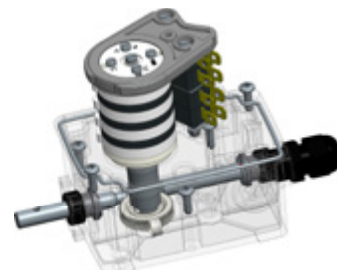
2 microswitches



4 microswitches



2 microswitches
Direct Ratio



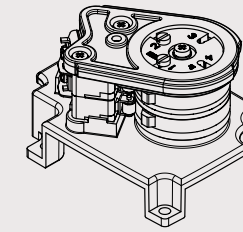
4 microswitches
Direct Ratio

Available codes

FGRO
Internal cam pack
2 microswitches



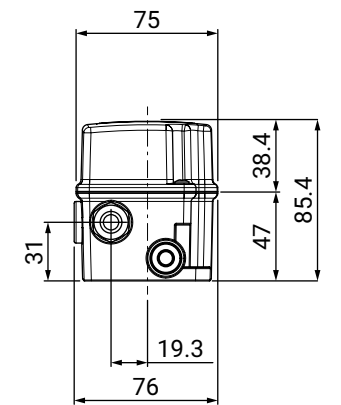
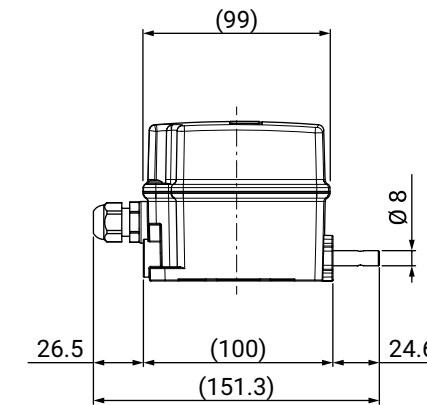
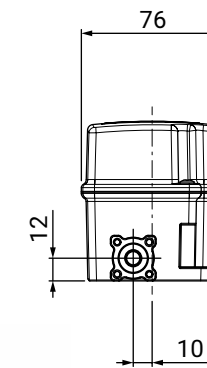
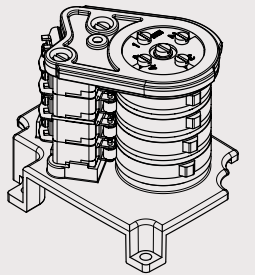
MFI.3



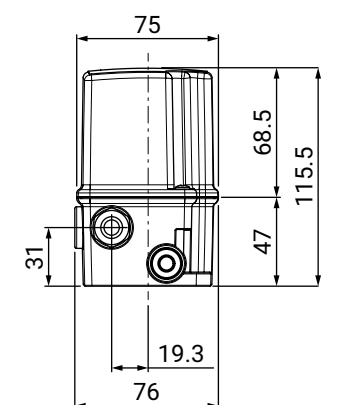
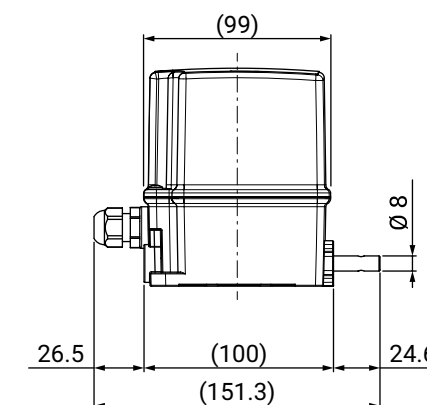
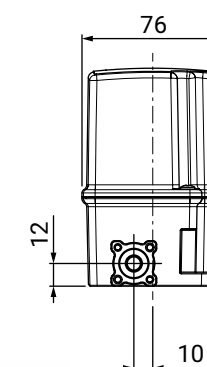
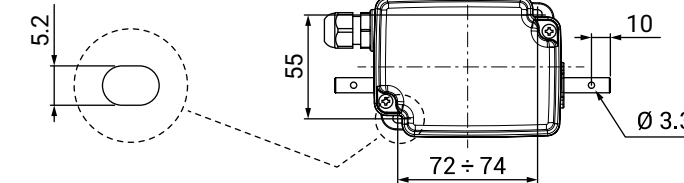
FGRO
Internal cam pack
4 microswitches



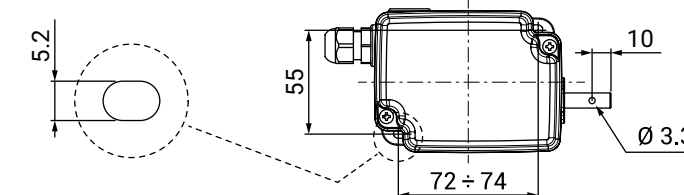
MFI.3



Base fixing
2 microswitches



Base fixing
4 microswitches

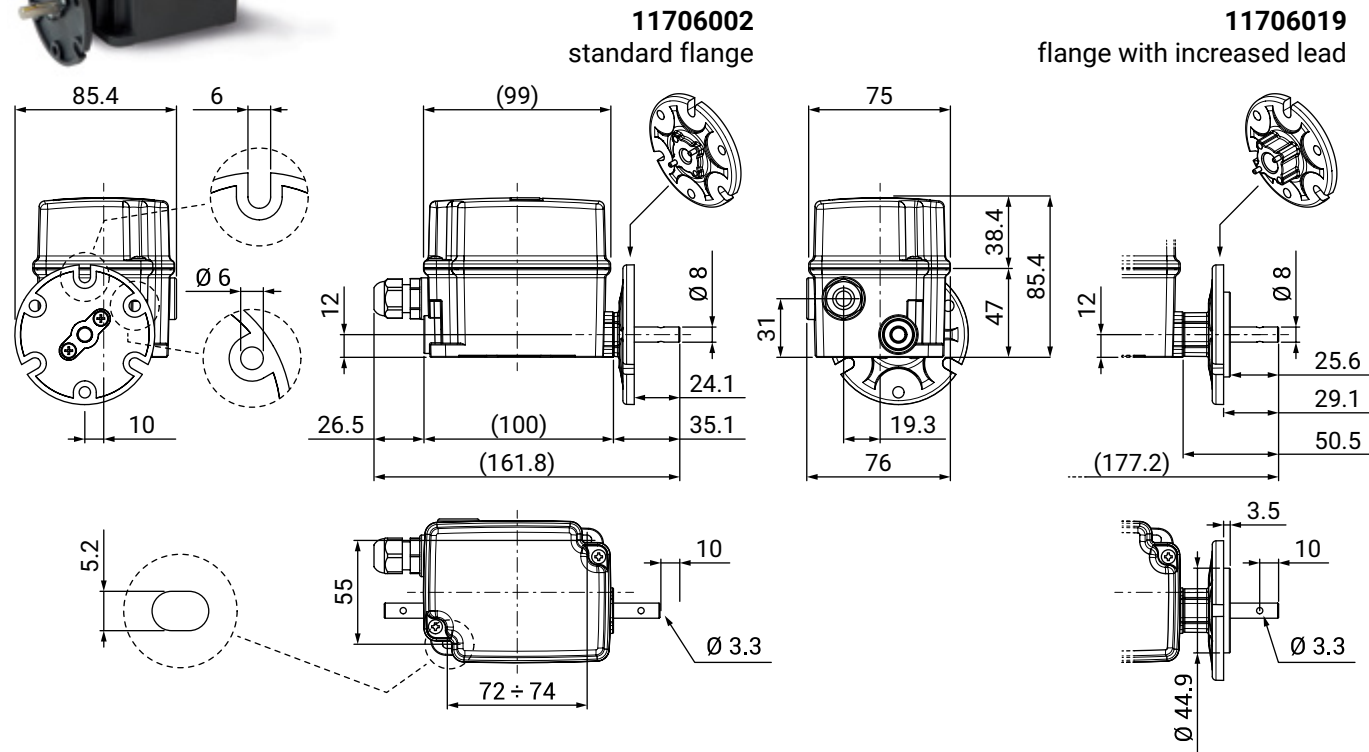




Available codes



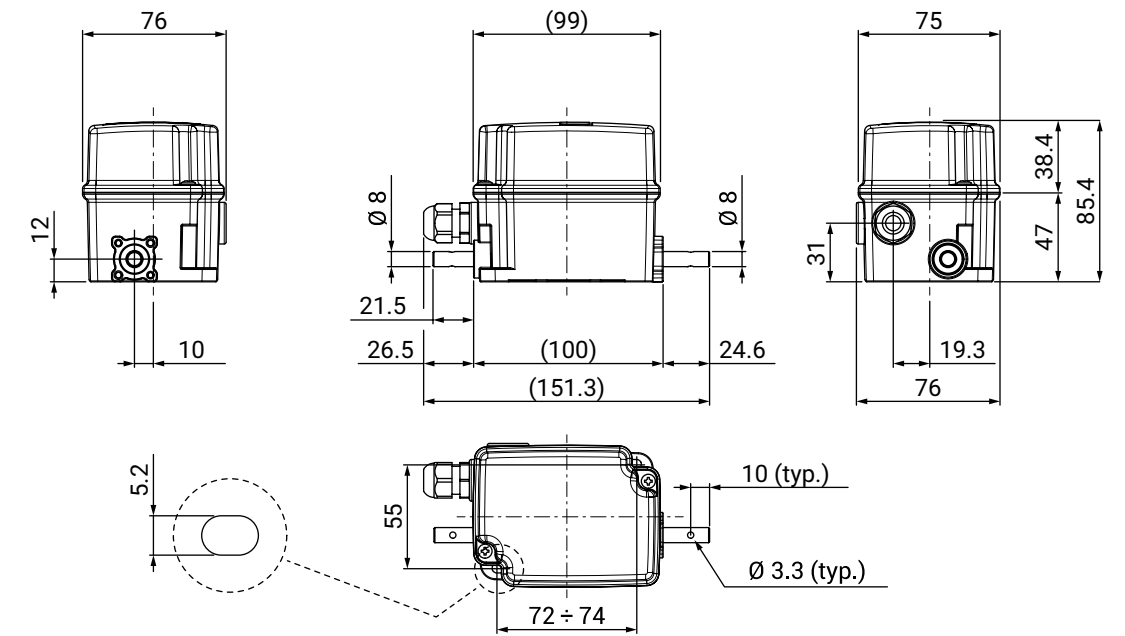
Front fixing
2 microswitches



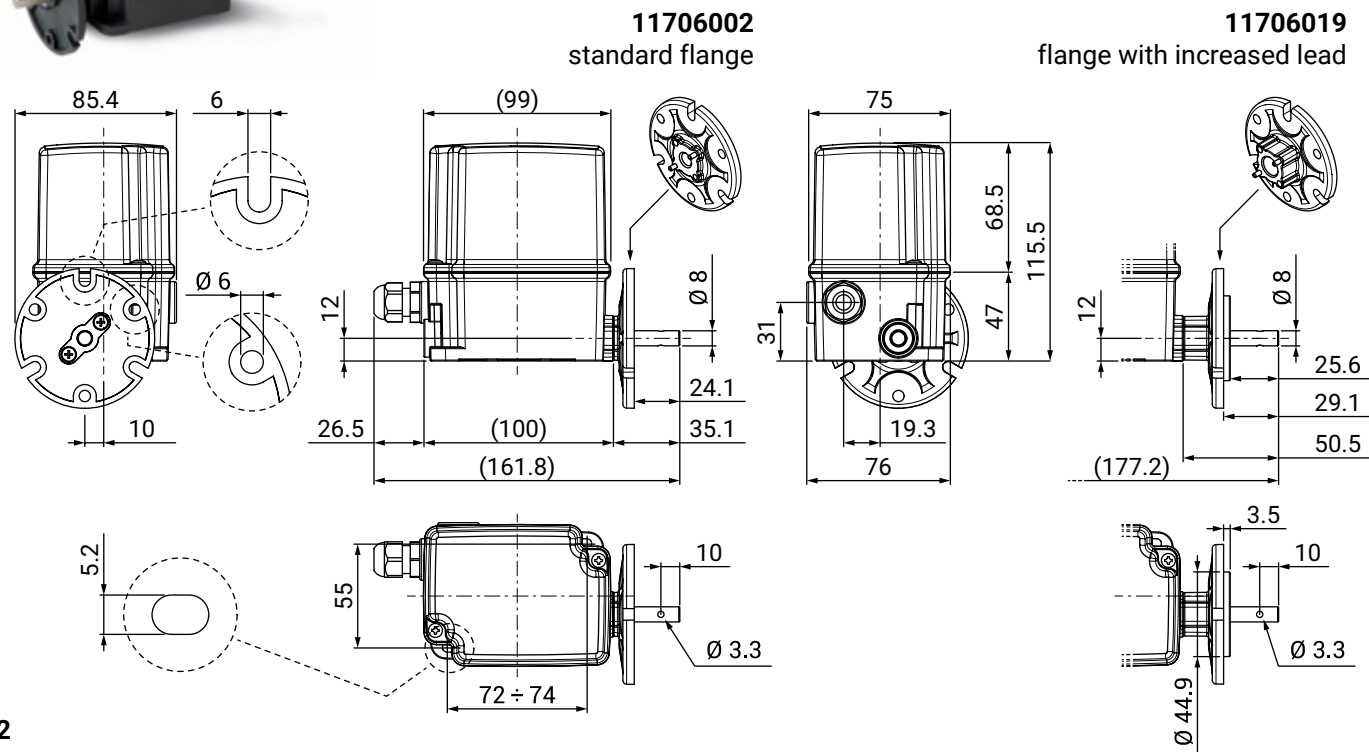
Available codes



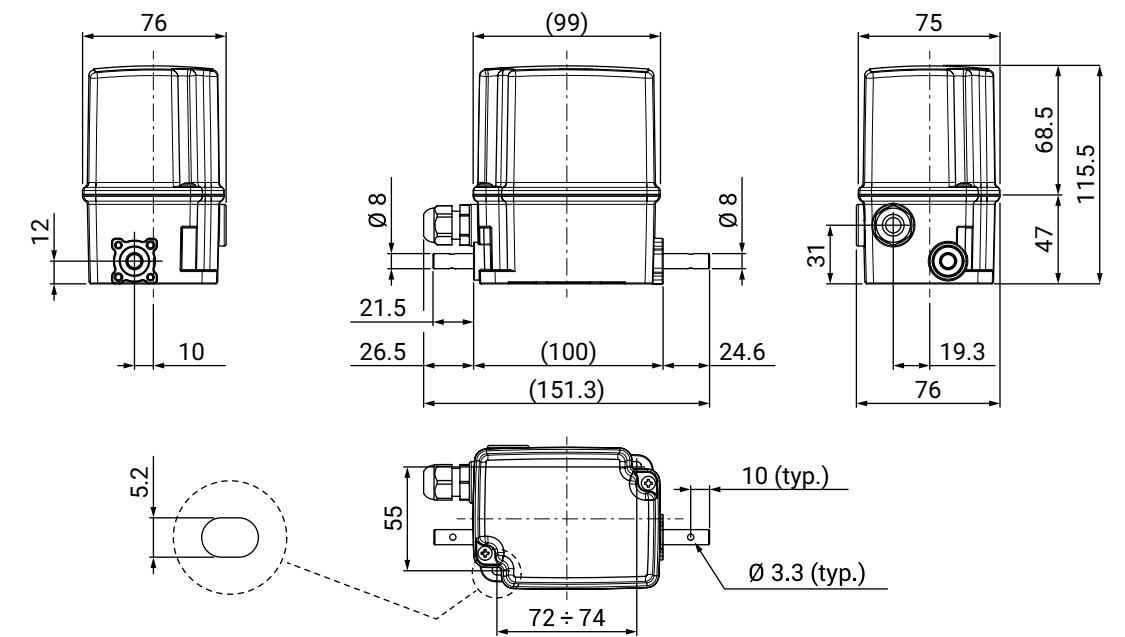
Double overhang shaft
2 microswitches



Front fixing
4 microswitches



Double overhang shaft
4 microswitches



Coding system

The FGR0 coding system is very clear: each block of digits identifies a specific function. The code provides all the informations that can be used to specify each customization.

FGR0	-	0012	M	-	4	A	-	E1	-	01
Series	-	Nr. gear ratio	Shaft type	-	Nr. contacts	Contacts type	-	Options	-	Progressive versions
			M = single shaft B = double overhang shaft			A = MFI.3 (standard) B = MFI.3STP (on request)		E = Encoder P = Potentiometer		Not standard shaft, cams, pinions, colors, logos, extra accessories, etc...
STANDARD ENCODING						OPTIONAL ENCODING				

Available codes

Base fixing 2 microswitches	Base fixing 4 microswitches	Double overhang shaft 2 microswitches	Double overhang shaft 4 microswitches
FGR0-0012M-2A	FGR0-0012M-4A	FGR0-0012B-2A	FGR0-0012B-4A
FGR0-0025M-2A	FGR0-0025M-4A	FGR0-0025B-2A	FGR0-0025B-4A
FGR0-0033M-2A	FGR0-0033M-4A	FGR0-0033B-2A	FGR0-0033B-4A
FGR0-0050M-2A	FGR0-0050M-4A	FGR0-0050B-2A	FGR0-0050B-4A
FGR0-0075M-2A	FGR0-0075M-4A	FGR0-0075B-2A	FGR0-0075B-4A
FGR0-0100M-2A	FGR0-0100M-4A	FGR0-0100B-2A	FGR0-0100B-4A
FGR0-0150M-2A	FGR0-0150M-4A	FGR0-0150B-2A	FGR0-0150B-4A
FGR0-0200M-2A	FGR0-0200M-4A	FGR0-0200B-2A	FGR0-0200B-4A
FGR0-0400M-2A	FGR0-0400M-4A	FGR0-0400B-2A	FGR0-0400B-4A

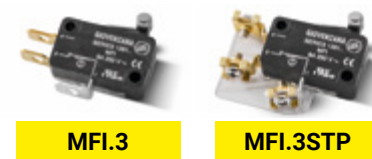
Front fixing 2 or 4 microswitches

FGR0 Body with long shaft (see technical drawings to page 72)

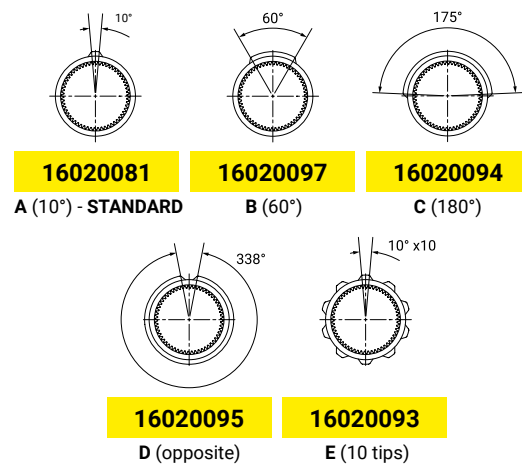
11706002
standard flange

11706019
flange with increased lead

AVAILABLE CONTACT TYPES



AVAILABLE CAM SHAPES



Rotary gear limit switch

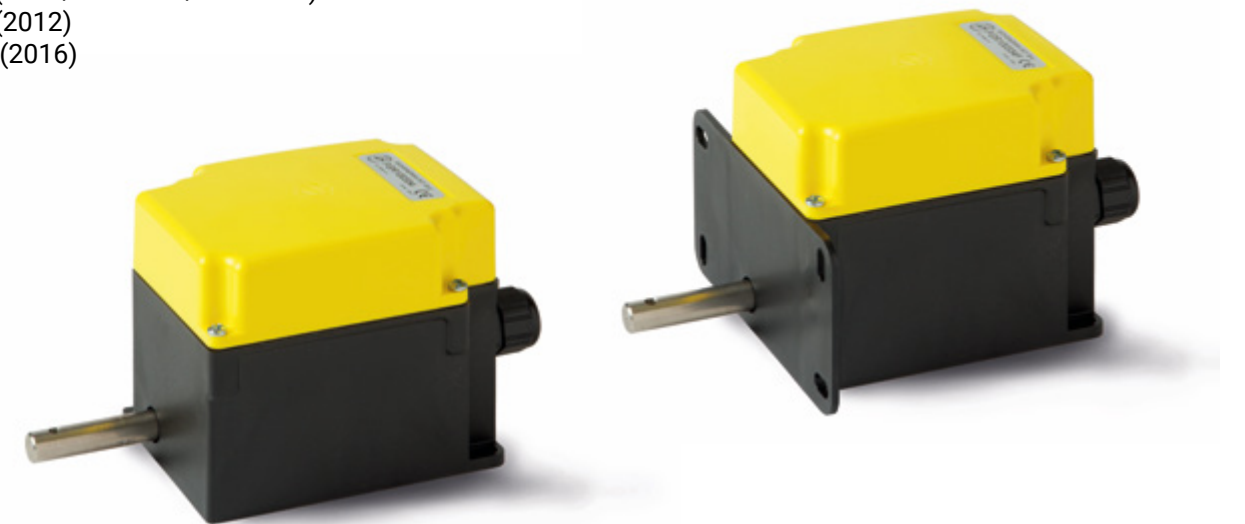
The **FGR1** is a device used to control and measure the movement of industrial machines by measuring the rotation angle and/or counting the number of revolutions of a shaft.

General features

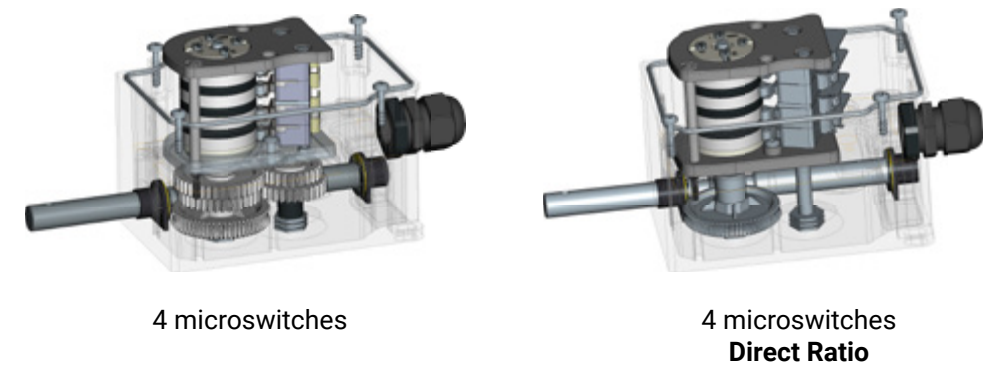
- Different versions available:
 - base fixing;
 - front fixing;
 - with double overhang shaft.
- IP65 Protection class.
- Available in different ratios: 1:12, 1:33, 1:50, 1:75, 1:100, 1:150, 1:200, 1:400 (optional on request).
- Available in direct ratio: 1:50, 1:75, 1:100 (others direct ratio on request).
- Micro switches:
 - device available with 4 microswitches;
 - the working point is adjustable with a calibration screw;
 - each switch has 1NO + 1NC inside;
 - positive opening for NC contacts.

Compliance and certifications

- 2014/35/UE - 2014/33/UE - 2011/65/UE - 2015/863/UE
- EN 60947-1 (2007/A1 : 2011/A2 : 2014)
- EN 60947-5-1 (2004/A1 : 2009/AC : 2004/AC : 2005)
- EN 60204-1 (2006/A1 : 2009)
- EN 60529 (1991/A1 : 2000/A2 : 2013)
- EN 50581 (2012)
- IEC 63000 (2016)

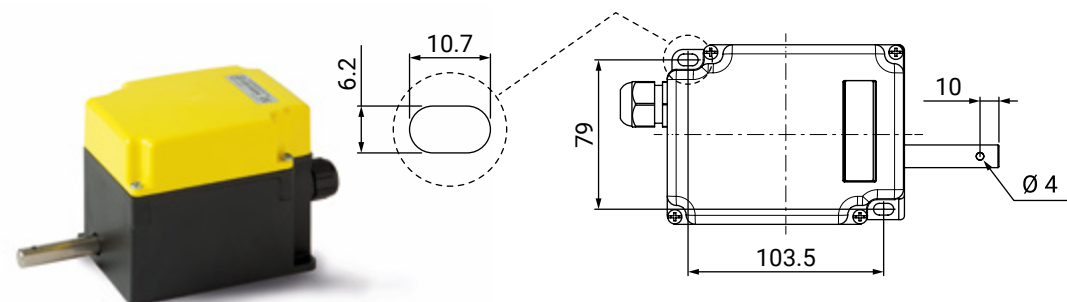
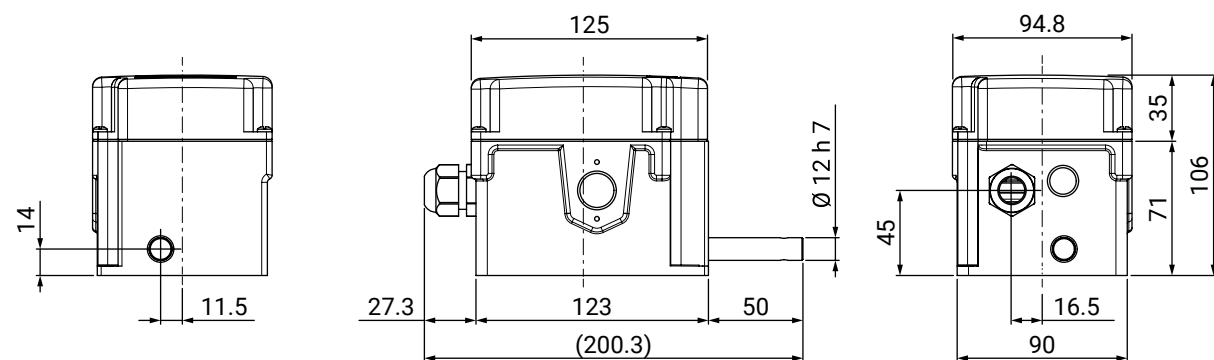
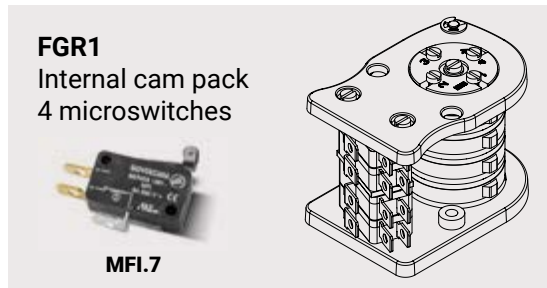


Base Fixing versions X-ray view

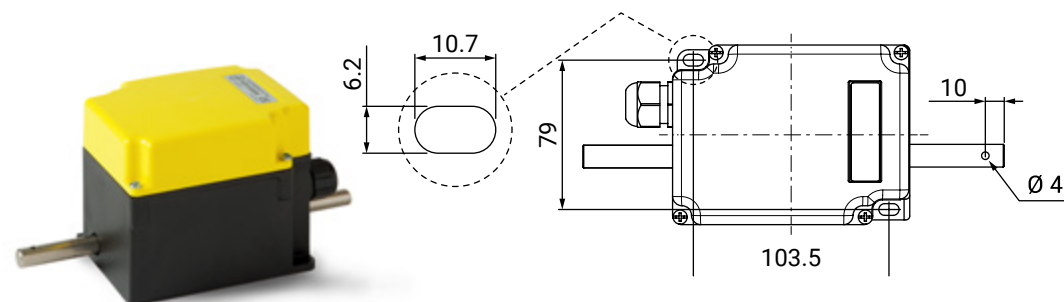
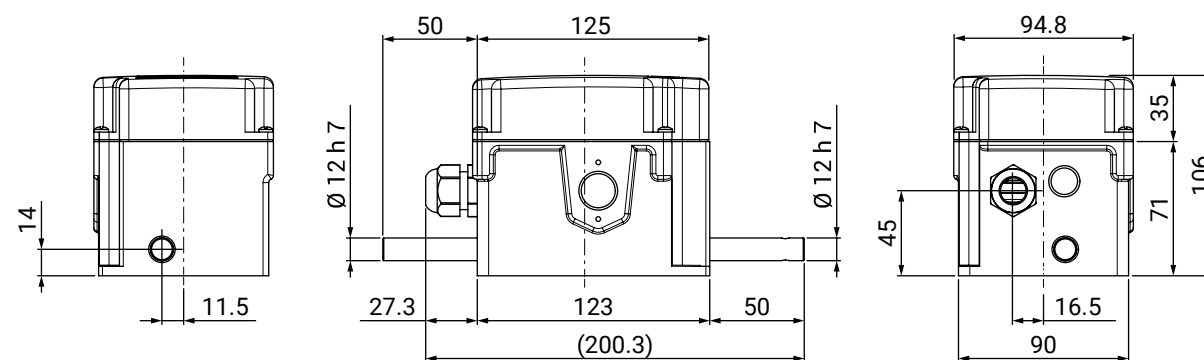




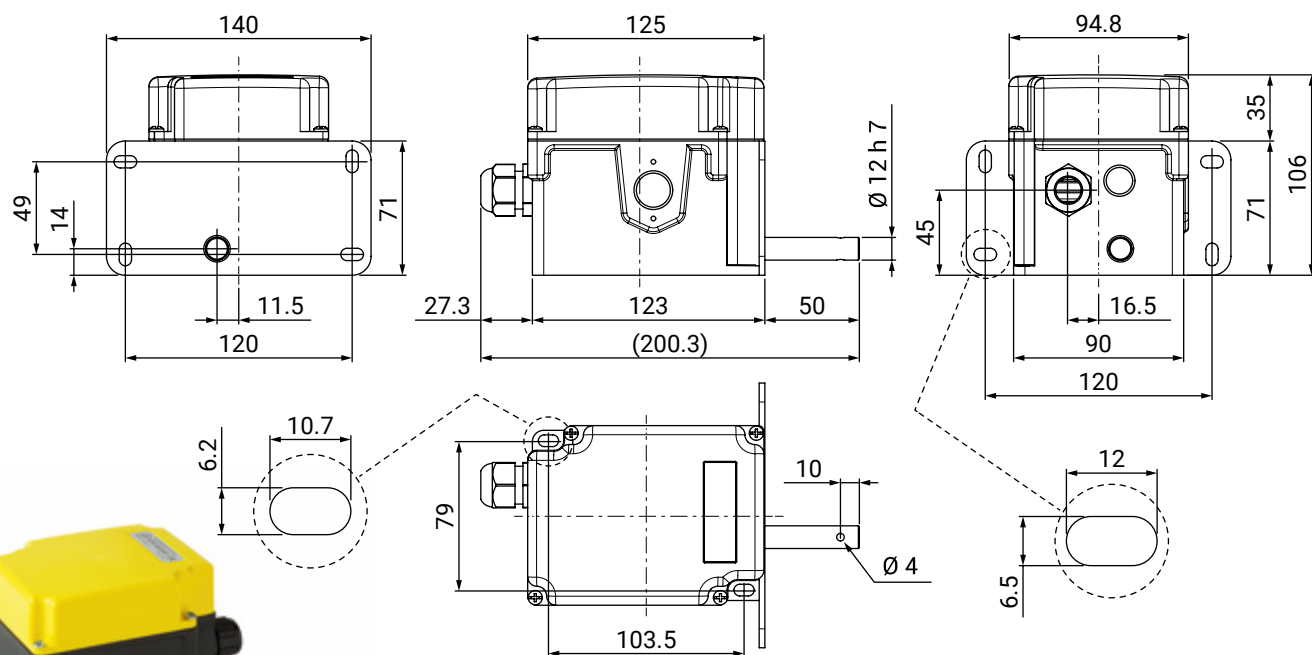
Available codes



Base fixing
4 microswitches



Double overhang shaft
4 microswitches



Front fixing
4 microswitches

ROTARY LIMIT SWITCHES

Coding system

The **FGR1** coding system is very clear: each block of digits identifies a specific function. The code provides all the informations that can be used to specify each customization.

FGR1	0012/0400	0-2-3-4	B	51-73	F	-	01
Series	Nr. gear ratio	Micro/cams	Shaft type	Pinion type	Flange	-	Options
	Between shaft and cam pack output.	0 = None 2 = Nr. 2 3 = Nr. 3 4 = Nr. 4	Blank = Single shaft B = Double overhang shaft	Last two numbers of the pinion code. (refers to pages 86-87).	Blank = Without F = With flange	-	Progressive versions
STANDARD ENCODING							OPTIONAL ENCODING

Available codes

Base fixing 4 microswitches	Front fixing 4 microswitches	Double overhang shaft 4 microswitches
FGR100124	FGR100124F	FGR100124B
FGR100334	FGR100334F	FGR100334B
FGR100504	FGR100504F	FGR100504B
FGR100754	FGR100754F	FGR100754B
FGR101004	FGR101004F	FGR101004B
FGR101504	FGR101504F	FGR101504B
FGR102004	FGR102004F	FGR102004B
FGR104004	FFGR104004F	FGR104004B

AVAILABLE CONTACT TYPES	AVAILABLE CAM SHAPES
<p>MFI.7</p>	<p>16020081 A (10° - STANDARD)</p> <p>16020097 B (60°)</p> <p>16020094 C (180°)</p> <p>16020095 D (opposite)</p> <p>16020093 E (10 tips)</p>
<p>MFI.7STP On request</p>	

Rotary gear limit switch

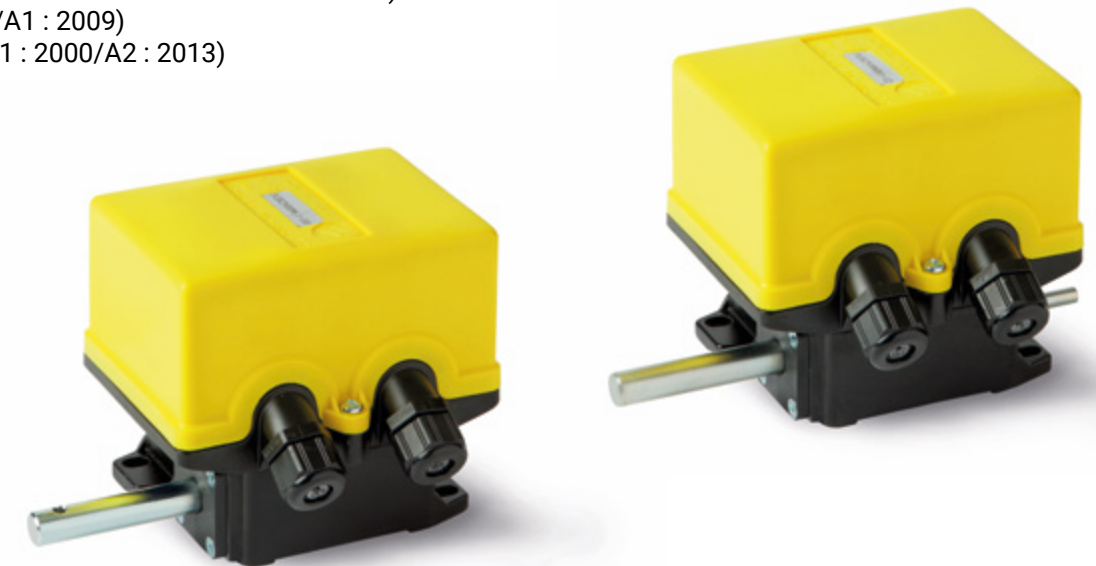
The **FGR2** is directed towards control of turns of the rotating drums which wrap cables, machinery, etc... Equipped with adjustable micrometric screw, lives on each one of the cam. Operating microswitches permits, using a screwdriver, calibration of the race and then opening or closing of contacts according to the functional needs.

General features

- Different versions available:
 - base fixing;
 - with double overhang shaft;
 - front fixing (base fixing + FLG accessory). On request.
- IP65 Protection class.
- Available in direct ratios: 1:12, 1:33, 1:50, 1:75, 1:100, 1:200 (optional on request).
- Micro switches:
 - device available with 4 or 6 microswitches;
 - the working point is adjustable with a calibration screw;
 - each switch has 1NO + 1NC inside;
 - positive opening for NC contacts.

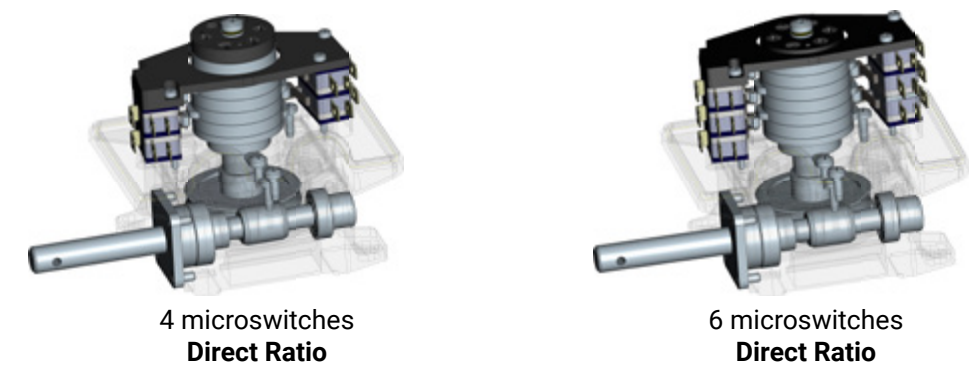
Compliance and certifications

- 2014/35/UE - 2014/33/UE - 2011/65/UE - 2015/863/UE
- EN 60947-1 (2007/A1 : 2011/A2 : 2014)
- EN 60947-5-1 (2004/A1 : 2009/AC : 2004/AC : 2005)
- EN 60204-1 (2006/A1 : 2009)
- EN 60529 (1991/A1 : 2000/A2 : 2013)
- EN 50581 (2012)
- IEC 63000 (2016)



Base Fixing versions

X-ray view

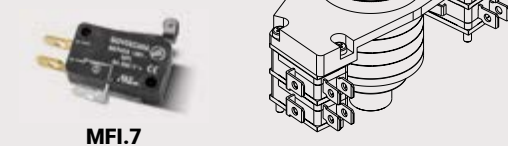


4 microswitches
Direct Ratio

6 microswitches
Direct Ratio

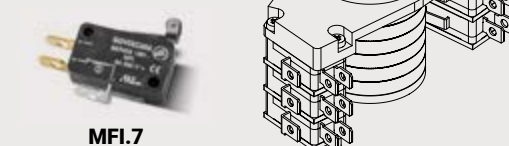
Available codes

FGR2
Internal cam pack
4 microswitches

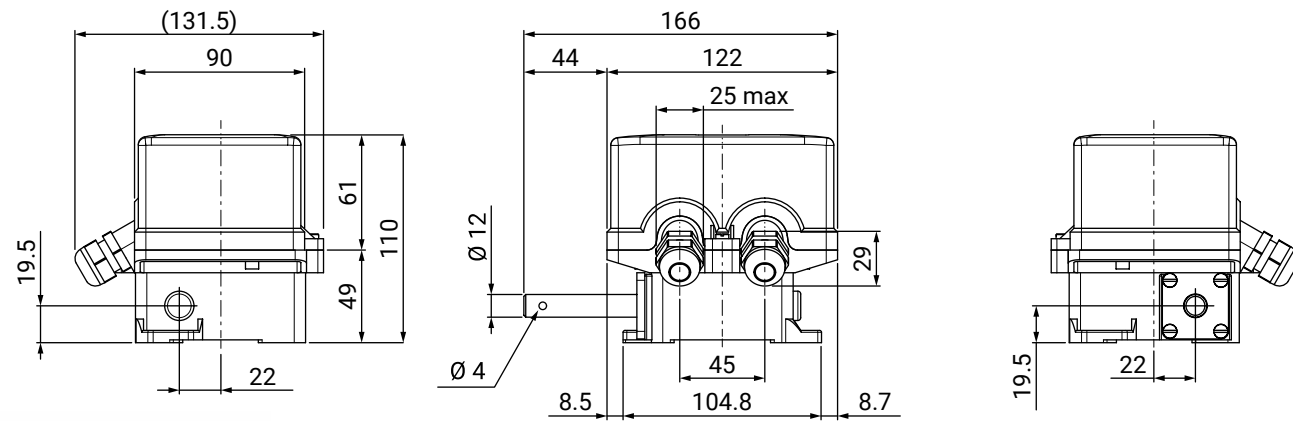


MFI.7

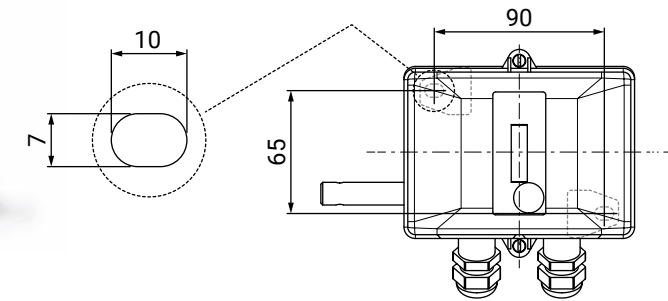
FGR2
Internal cam pack
6 microswitches



MFI.7

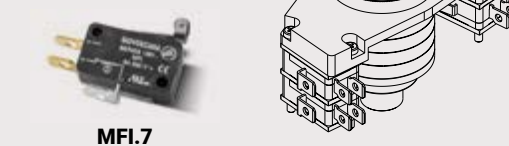


Base fixing
4 or 6 microswitches



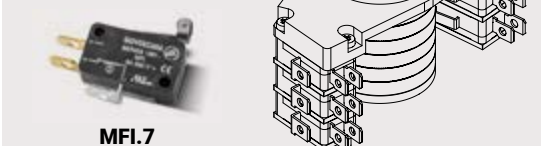
Available codes

FGR2
Internal cam pack
4 microswitches

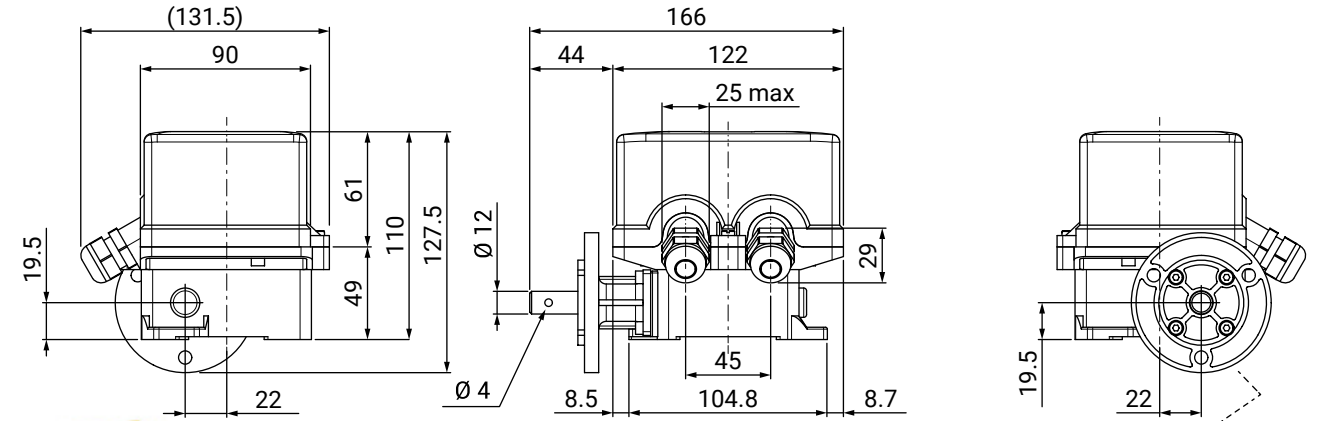


MFI.7

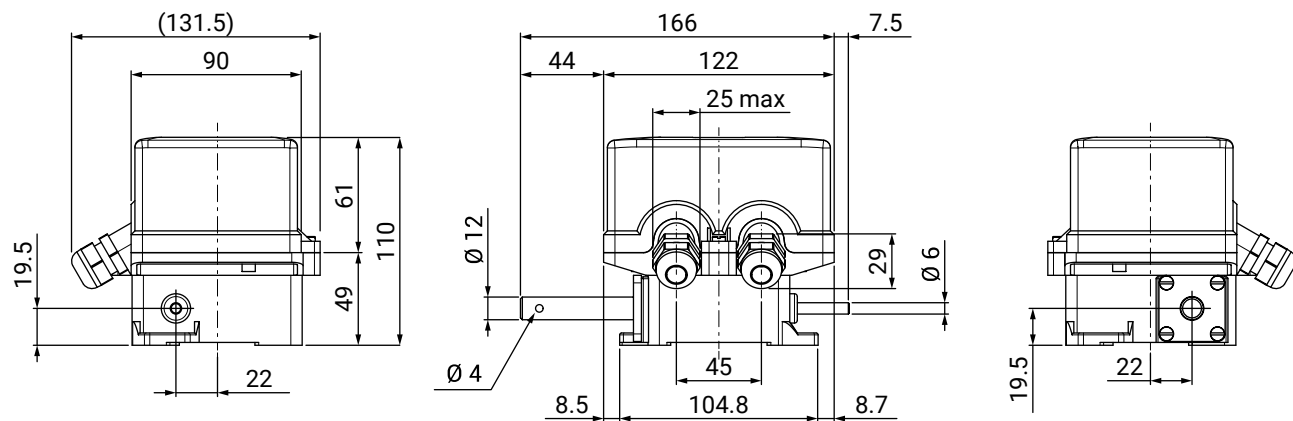
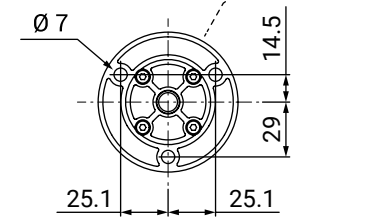
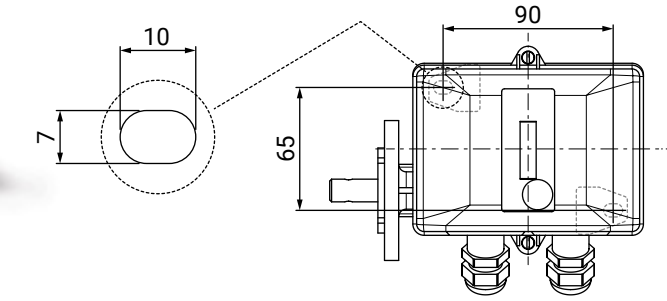
FGR2
Internal cam pack
6 microswitches



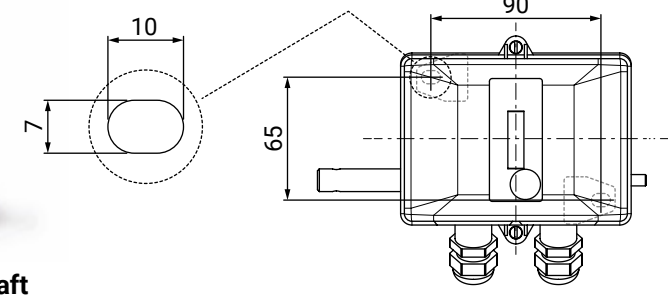
MFI.7



Front fixing
4 or 6 microswitches



Double overhang shaft
4 or 6 microswitches



Coding system

The FGR2 coding system is very clear: each block of digits identifies a specific function. The code provides all the informations that can be used to specify each customization.

FGR2	F	N	006/007/008/009/010	B	6
Series	Flange	Contact type	Identifying number	Shaft type	Micro/cams
	Blank = Without F = With flange	MFI.7		Blank = Single shaft B = Double overhang shaft	Blank = Nr. 4 6 = Nr. 6
STANDARD ENCODING					

Available codes

Ratio	Base fixing 4 microswitches	Base fixing 6 microswitches	Double overhang shaft 4 microswitches	Double overhang shaft 6 microswitches
1:12	FGR2N006	FGR2N0066	FGR2N006B	FGR2N006B6
1:33	FGR2N007	FGR2N0076	FGR2N007B	FGR2N007B6
1:50	FGR2N008	FGR2N0086	FGR2N008B	FGR2N008B6
1:100	FGR2N009	FGR2N0096	FGR2N009B	FGR2N009B6
1:200	FGR2N010	FGR2N0106	FGR2N010B	FGR2N010B6

Front fixing + FLG
4 or 6 microswitches

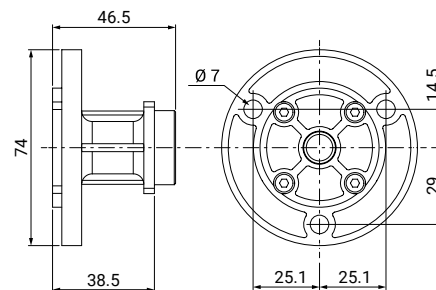


FGR2 Base fixing

+



FLG

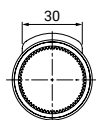


AVAILABLE CONTACT TYPES

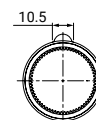


MFI.7

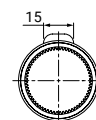
AVAILABLE CAM SHAPES



11703015
A (30°) - STANDARD



11703019
B (15°)



1173013
C (90°)

Rotary gear limit switch

The **FGR3** is a device used to control and measure the movement of industrial machines by measuring the rotation angle and/or counting the number of revolutions of a shaft. It is suitable for several applications like cranes and wind turbines.

General features

- Different versions available:
 - base fixing;
 - with double overhang shaft;
 - front fixing (on request).
- IP66 protection class.
- Available in different ratios: from 1:8 to 1:3572 (according to the configuration).
- Microswitches:
 - device available potentially until 8 microswitches;
 - the working point is adjustable with a calibration screw;
 - each switch has 1NO + 1NC inside;
 - positive opening for NC contacts.

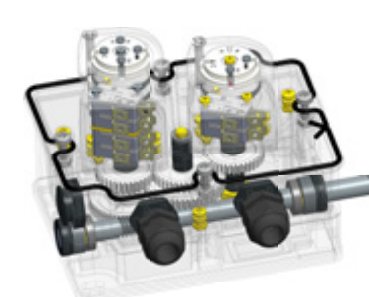
Compliance and certifications

- 2014/35/UE - 2014/33/UE - 2011/65/UE - 2015/863/UE
- EN 60947-1 (2007/A1 : 2011/A2 : 2014)
- EN 60947-5-1 (2004/A1 : 2009/AC : 2004/AC : 2005)
- EN 60204-1 (2006/A1 : 2009)
- EN 60529 (1991/A1 : 2000/A2 : 2013)
- EN 50581 (2012)
- IEC 63000 (2016)

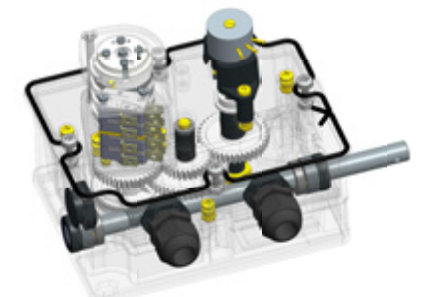


Base Fixing versions

X-ray view



6 microswitches



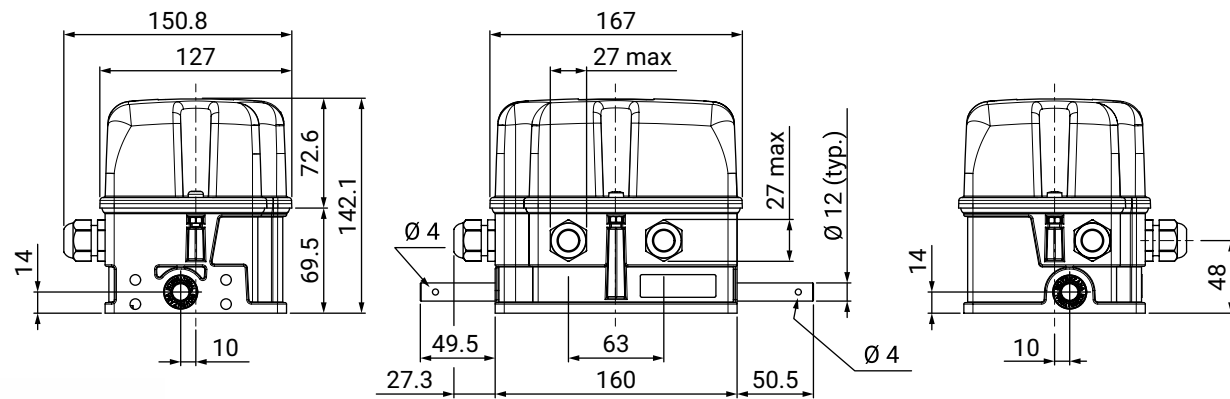
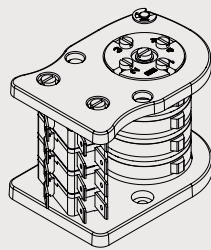
4 microswitches
with potentiometer

Available codes

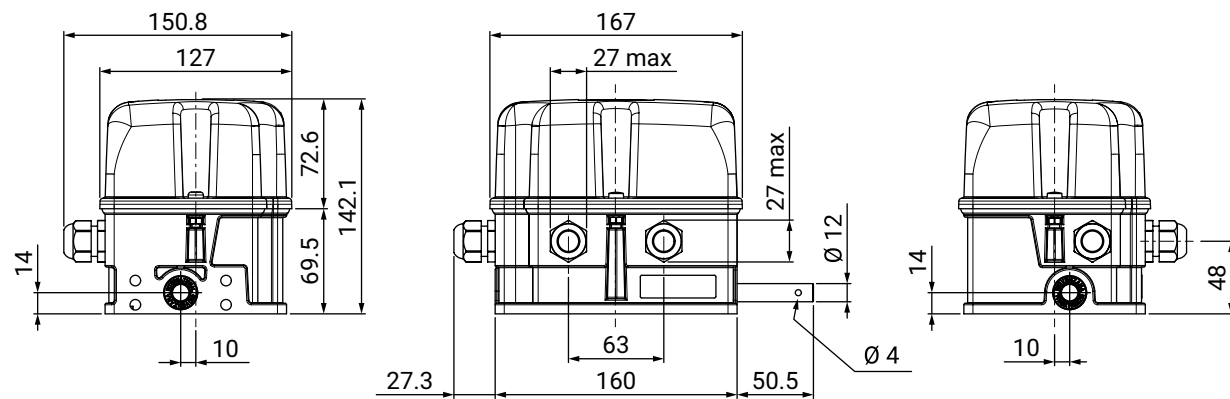
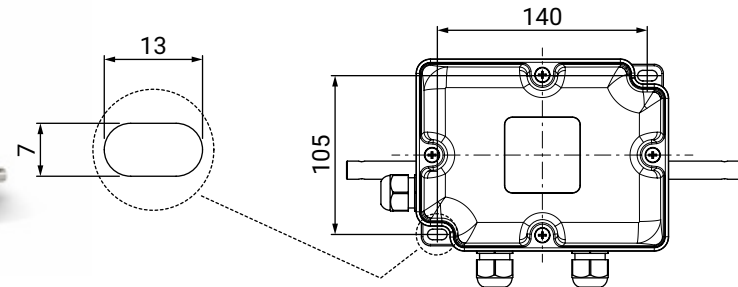
FGR3
Internal cam pack
4 microswitches



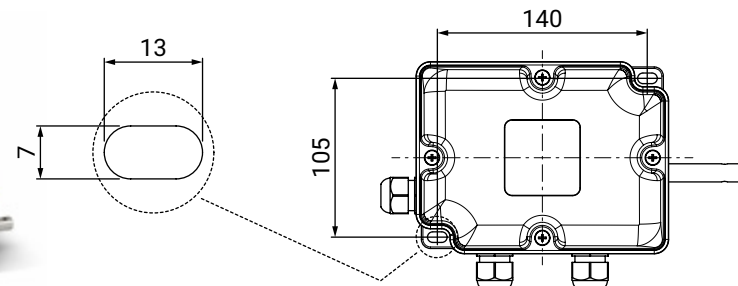
MFI.7



Base fixing



Double overhang shaft



Coding system

The **FGR3** coding system is very clear: each block of digits identifies a specific function. The code provides all the informations that can be used to specify each customization.

FGR3	0-8	001-999	0-2-3-4	1-2-3-4	51-73	-	00-99
Series	Encoder / Potentiometer	Nr. gear ratio	Micro/cams	Shaft type	Pinion type	-	Options
	0 = No sensors 1 = Incremental Encoder D22 2 = Potentiometer 2.5 K Ω 3 = Potentiometer 5 K Ω 4 = Potentiometer 10 K Ω 5 = Absolut Encoder D36 6 = Incremental Encoder P/P 5000 imp. 7 = Absolut/Incremental Encoder D36 8 = Absolut Encoder D58 A ... Z = Custom on request	Between: - shaft and cam pack output; - shaft and sensor output; - both.	0 = None 2 = Nr. 2 3 = Nr. 3 4 = Nr. 4 5 = Nr. 5	1 = Single shaft and reduction in cam output. 2 = Double overhang shaft and reduction in cam output. 3 = Single shaft and reduction in both cam and sensor output. 4 = Double overhang shaft and reduction both in cam output and in sensor output.	Last two numbers of the pinion code. (refers to pages 86-87).	-	Progressive versions

Available codes

Base fixing Double overhang shaft With encoder



Available options

- Can be supplied with front fixing. Available different typologies of flanged accessories, on request.
- Can be equipped with MFI.7 microswitches (standard version) or with MFI.7G micro switches (gold contact blocks - offshore use).
- Can be equipped with incremental or absolut encoder, available also with external encoder mounted.

The **FGR3** series is a totally customizable products.
Create your own devices using the FGR3 coding system!

AVAILABLE CONTACT TYPES

MFI.7 MFI.7G
On request
Offshore use

AVAILABLE CAM SHAPES

10° 60° 175°

16020081 16020097 16020094
A (10°) - STANDARD B (60°) C (180°)

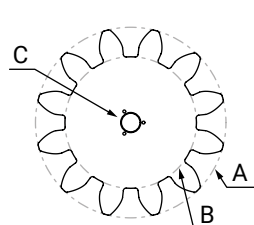
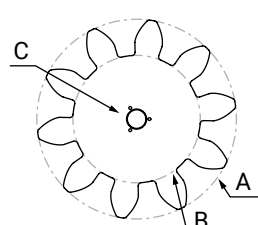
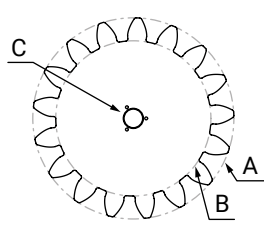
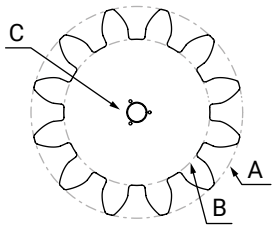
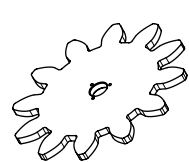
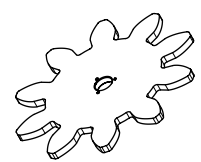
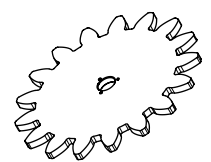
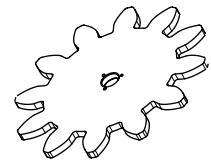
338° 10° x10

16020095 16020093
D (opposite) E (10 tips)



Water jet cut pinions

Our measuring pinions are specially manufactured for use with encoders and geared limit switches.
Pinions thickness = 10 mm.



16020051

M20 - Z12

A = Ø 280 / B = Ø 193.2

16020052

M14 - Z17

A = Ø 266 / B = Ø 205.24

16020053

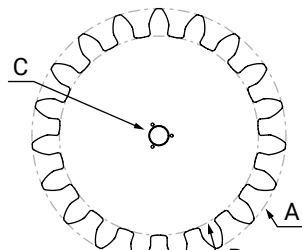
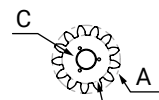
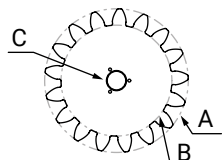
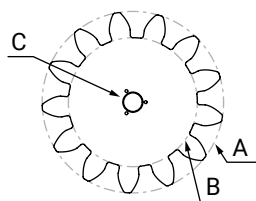
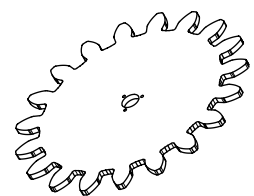
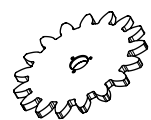
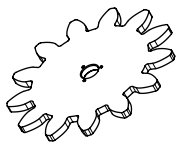
M22 - Z10

A = Ø 264 / B = Ø 168.52

16020054

M18 - Z12

A = Ø 252 / B = Ø 173.88



16020055

M16 - Z13

A = Ø 240 / B = Ø 170.56

16020056

M10 - Z17

A = Ø 190 / B = Ø 146.6

16020057

M6 - Z13

A = Ø 90 / B = Ø 63.96

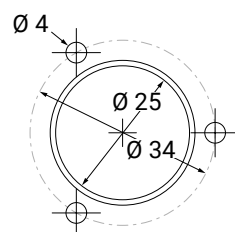
16020070

M16 - Z19

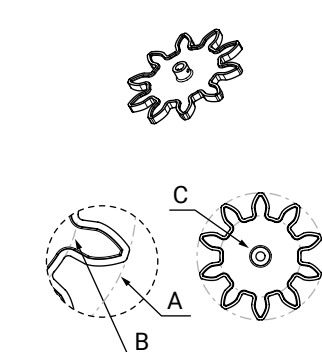
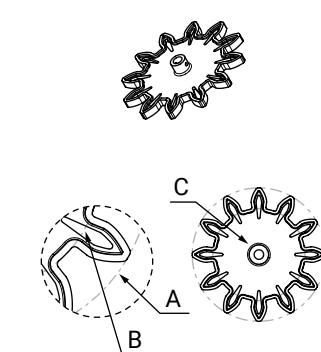
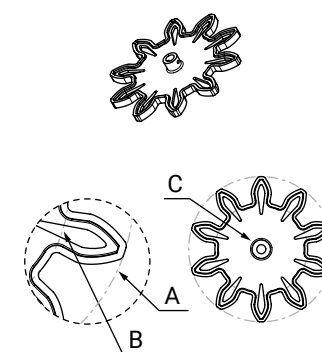
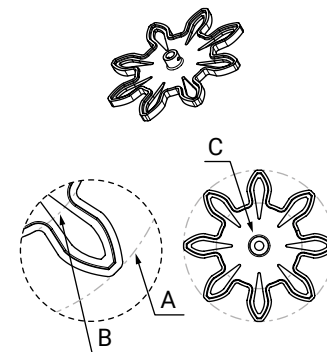
A = Ø 336 / B = Ø 263,2

Detail C

For all previous pinions.
Finished product measurements.



Injection moulded pinions



16020058

M20 - Z8

A = Ø 200 / B = Ø 113.2

16020059

M13 - Z10

A = Ø 192 / B = Ø 122.56

16020060

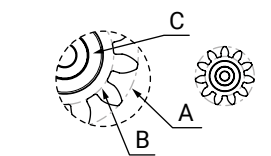
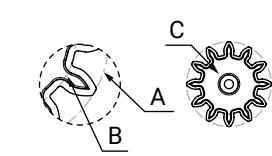
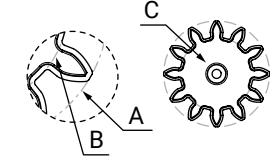
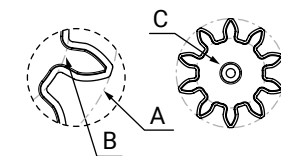
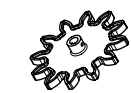
M12 - Z12

A = Ø 176.4 / B = Ø 121.716

16020061

M14 - Z10

A = Ø 168 / B = Ø 107.24



16020062

M12 - Z10

A = Ø 144 / B = Ø 91.92

16020063

M10 - Z12

A = Ø 140 / B = Ø 96.6

16020064

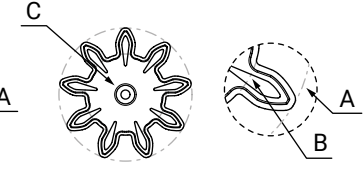
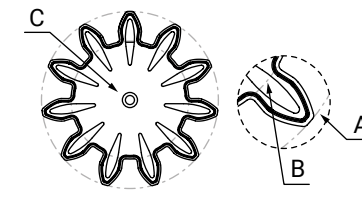
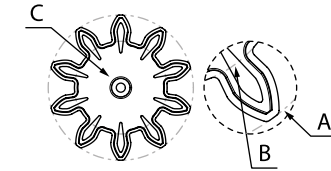
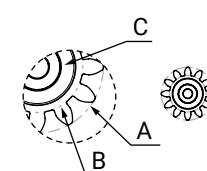
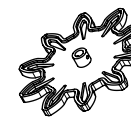
M8 - Z12

A = Ø 112 / B = Ø 77.28

16020065

M6 - Z11

A = Ø 78 / B = Ø 51.96



16020066

M5 - Z12

A = Ø 70 / B = Ø 48.3

16020068

M16 - Z20

A = Ø 192 / B = Ø 122.56

16020069

M18 - Z11

A = Ø 234 / B = Ø 155.81

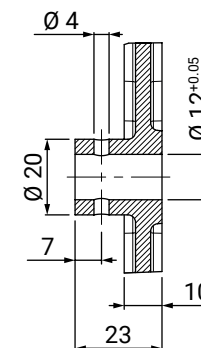
16020071

M16 - Z19

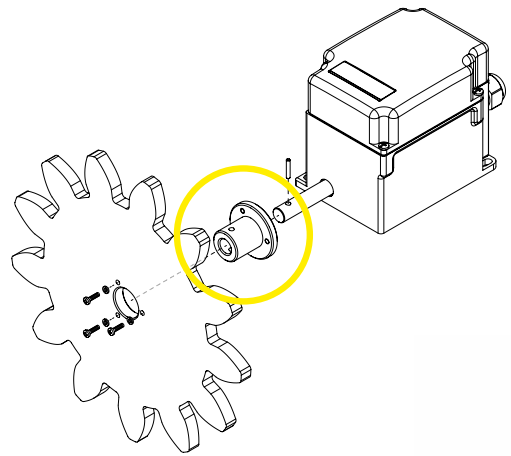
A = Ø 176 / B = Ø 107.285

Detail C

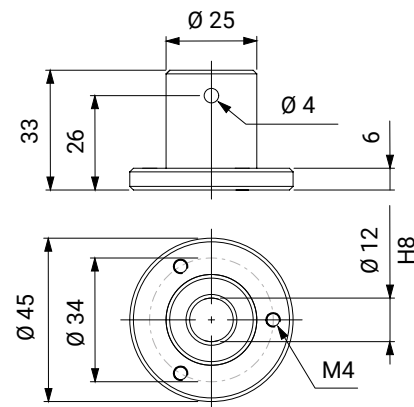
For all previous pinions.



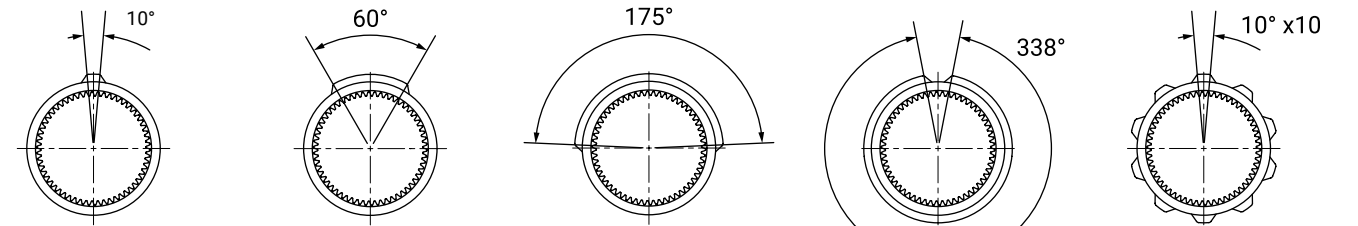
Metal sleeve for water jet cut pinions



16020050

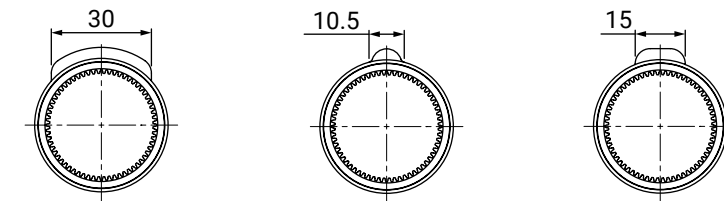


Cam shapes for FGR0, FGR1, FGR3



16020081 A (10°) - STANDARD	16020097 B (60°)	16020094 C (180°)	16020095 D (opposite)	16020093 E (10 tips)
---------------------------------------	----------------------------	-----------------------------	---------------------------------	--------------------------------

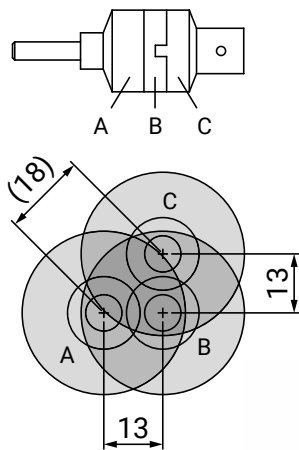
Cam shapes for FGR2



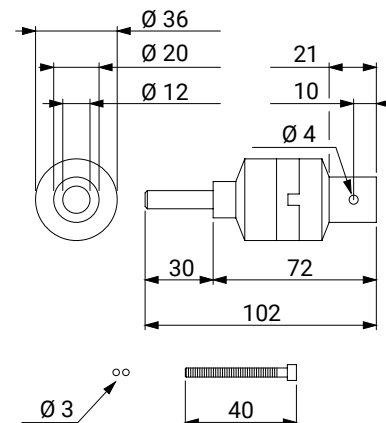
11703015 A (30°) - STANDARD	11703019 B (15°)	11703013 C (90°)
---------------------------------------	----------------------------	----------------------------

Available customised versions on request.

Oldham coupling



FGH



ROTARY LIMIT SWITCHES



POSITION LIMIT SWITCHES

Giovenzana offers four different typologies of **position limit switches**, used in particular in industrial and construction lifting plants, in the automation industry, in stage technology, in particular to control hoists, winches and machine tools.

The range of position limit switches includes aluminum or thermoplastic material limit switches allowing for diversified switch activation types:

- with cross rods;
- with single rod with roller;
- with lever.

Each position limit switches has specific features allowing to choose the limit switch that best suit the specific customers' needs.

All position limit switches are CE marked and they are manufactured in compliance with the directives and standards actually in force.

Furthermore, position limit switches are also EAC and CCC certified, for the Eurasian and Chinese markets, as proof of the importance given to the quality levels required in different countries.

APPLICATIONS

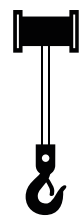
Our **position limit** switches are used to control several handling system:

SOPHISTICATED CRANE SYSTEM

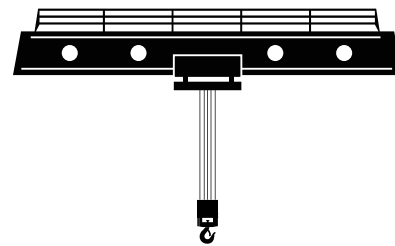
The unit controls power operating system (ex. PLC) and allows the crane to slow-down and/or to stop running.

HOIST

The unit is used to stop the hoist running whenever it reaches a "limit" position.



HOIST



CRANE

FEATURES

- Different versions are available for all standard system.
- Every customization is available upon request.

SERIES



FFH



FFH2C-1



FCR



FCP245

POSITION LIMIT SWITCHES

BENEFITS

- › Precise, reliable and safe devices
- › Good handling control ensured
- › Guaranteed maximum operating safety
- › Prevention of personal injury and damage to objects



FFH

FCR

FFH2C-1

FCP245

GENERAL CHARACTERISTICS

STANDARDS	IEC /EN 60497/3	IEC /EN 60497/3
CASE	Self extinguishing housing V0 UL94	Self extinguishing housing V0 UL94
PROTECTION CLASS	IP65 - Double insulation (IEC / EN 60529)	IP65 - Double insulation (IEC / EN 60529)
CABLE ENTRY	M16 / M20	Nr 1 Ø 22.5 mm
VERSIONS	Single or double speed motor configuration. 3, 4 or 4 with mechanical stop positions.	Single or double speed motor configuration. 3, 4 or 4 with mechanical stop positions.
NOTES	Fully adjustable aluminium rods □ 2x200 mm with "0" indicator. Reinforced mechanical stop.	Fully adjustable aluminium rods □ 6x300 mm with "0" indicator. Reinforced mechanical stop.
AMBIENTAL TEMPERATURE	Operating: -25°C ... +55°C Storage: -30°C ... +70°C	Operating: -25°C ... +55°C Storage: -30°C ... +70°C

GENERAL CHARACTERISTICS

STANDARDS	IEC /EN 60497/3	IEC /EN 60497/3, EN 81-1
CASE	Self extinguishing housing V0 UL94	Self extinguishing housing V0 UL94
PROTECTION CLASS	IP65 - Double insulation (IEC / EN 60529)	IP65 - Double insulation (IEC / EN 60529)
CABLE ENTRY	1 x M16 + 1 x M20	M20 (max 8)
VERSIONS	Single speed motor configuration. Other configurations on request.	Two pole on-off switch. Other configurations on request.
NOTES	Fully adjustable aluminium rods □ 6x120 mm with "0" indicator. Reinforced mechanical stop. Rubber covering wheel.	Reinforced mechanical stop.
AMBIENTAL TEMPERATURE	Operating: -25°C ... +55°C Storage: -30°C ... +70°C	Operating: -25°C ... +55°C Storage: -30°C ... +70°C

ELECTRICAL CHARACTERISTICS

PRODUCT ID	P016 Giovenzana Cam switch line	P016 Giovenzana Cam switch line
STANDARDS	IEC/EN 60947/3 – UL508	IEC/EN 60947/3 – UL508
MARKING	CE, IMQ, RINA, EAC, CCC, cULus, cCSAus	CE, IMQ, RINA, EAC, CCC, cULus, cCSAus
RATED OPERATING VOLTAGE - U_e	690V	690V
RATED INSULATION VOLTAGE - U_i	690V	690V
RATED IMPULSE WITHSTAND VOLTAGE - U_{imp}	4kV	4kV
RATED THERMAL CURRENT - I_{th}	16A	16A
ENCLOSED THERMAL CURRENT - I_{the}	16A	16A
RATED OPERATING CURRENT	AC21A AC22A	16A - 690 V AC
	AC23A 3ph 230V	13A - 4 kW
	AC23A 3ph 400V	13A - 7.5 kW
FREQUENCY	50 / 60 Hz	50 / 60 Hz
CONTACTS	Double gap positive opening (→)	Double gap positive opening (→)
BLOCK CALIBER	A3 (EN 60947-1)	A3 (EN 60947-1)
TERMINAL SCREW	M3.5	M3.5
TIGHTENING TORQUE	0.8 Nm / 7.2 lbin (EN60947-1) 7.5 lbin / 0.85 Nm (UL508)	0.8 Nm / 7.2 lbin (EN60947-1) 7.5 lbin / 0.85 Nm (UL508)
CONNECTABLE SECTION	Flexible conductors	1 x 0.75 / 4 ... 2 x 0.75 / 2.5 mm ² 10 ... 18 AWG
	Solid conductors	1 x 0.75 / 4 ... 2 x 0.75 / 2.5 mm ² 10 ... 18 AWG

ELECTRICAL CHARACTERISTICS

PRODUCT ID	PX20 Giovenzana Cam switch line	CX40 Giovenzana Cam switch line
STANDARDS	IEC/EN 60947/3 – UL508	IEC/EN 60947/3 – UL508
MARKING	CE, IMQ, RINA, EAC, CCC, cULus, cCSAus	CE, IMQ, RINA, EAC, CCC, cULus, cCSAus
RATED INSULATION VOLTAGE - U_i	690V	690V
RATED INSULATION VOLTAGE - U_i	690V	690V
RATED IMPULSE WITHSTAND VOLTAGE - U_{imp}	5kV	10kV
RATED THERMAL CURRENT - I_{th}	20A	40A
ENCLOSED THERMAL CURRENT - I_{th}	20A	40A
RATED OPERATING CURRENT	AC21A AC22A	20A - 690 V AC
	AC23A 3ph 230V	16A - 5 kW
	AC23A 3ph 400V	16A - 9 kW
FREQUENCY	50 / 60 Hz	50 / 60 Hz
CONTACTS	Double gap positive opening (→)	Double gap positive opening (→)
BLOCK CALIBER	A3 (EN 60947-1)	A5 (EN 60947-1)
TERMINAL SCREW	M3.5	M4
TIGHTENING TORQUE	0.8 Nm / 7.2 lbin (EN60947-1) 7.5 lbin / 0.85 Nm (UL508)	1.2 Nm (EN60947-1) 10.6 lbin (UL508)
CONNECTABLE SECTION	Flexible conductors	1 x 0.75 / 4 ... 2 x 0.75 / 2.5 mm ² 10 ... 18 AWG
	Solid conductors	1 x 0.75 / 4 ... 2 x 0.75 / 2.5 mm ² 10 ... 18 AWG

POSITION LIMIT SWITCHES

FFH Position limit switch



Position limit switch with reduced overall dimensions

The **FFH position limit switch** is used to control several handling systems:

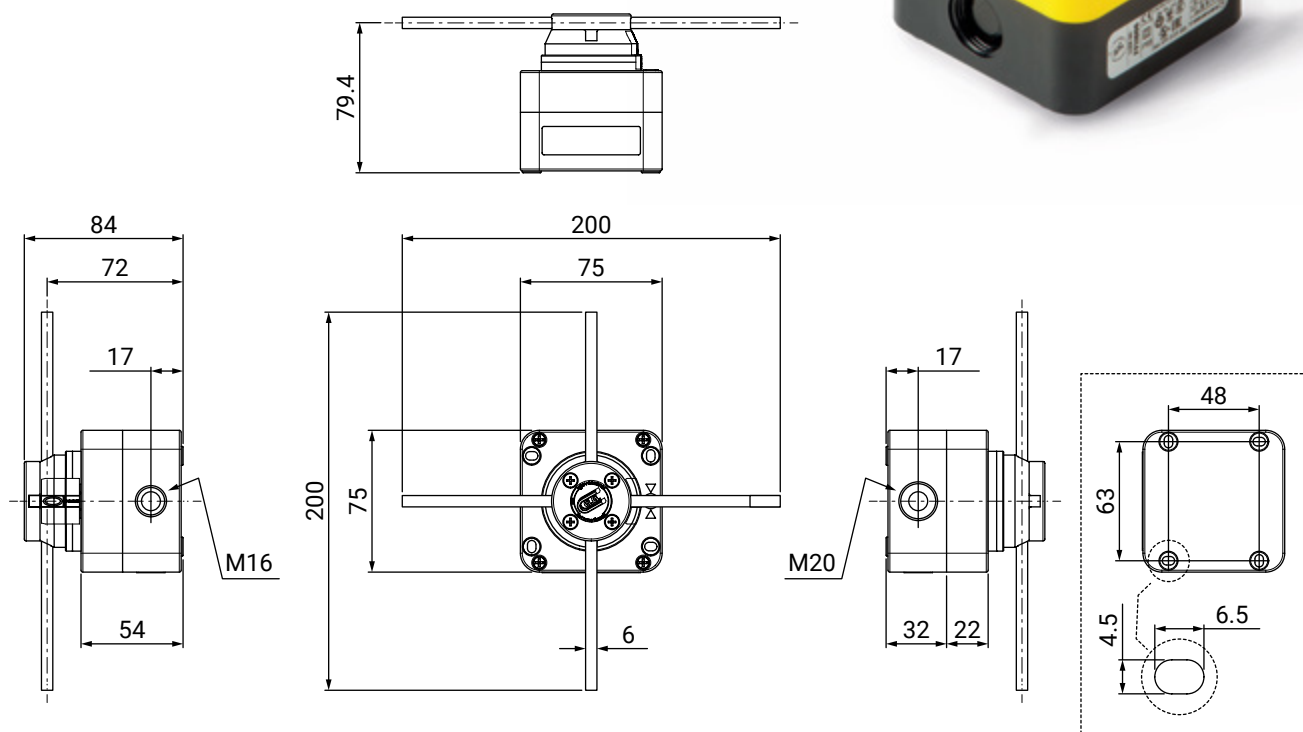
- **Bridge cranes:** the limit switch controls the operating system, for example a PLC, and allows the bridge crane to slow down or stop.
- **Hoists:** the limit switch is used to stop the hoist whenever it reaches a limit position.

Features

- Designed to ensure excellent performances in the most challenging operating conditions.
- Compact design to be adapted in any application need.
- Reduced overall dimensions compared to the historical FCR series.
- Arranged with 4 fixing holes.
- Positive opening NC contacts for safety functions.
- IP65 Protection degree.
- Aluminium rods with 6x6 mm section and enclosure in thermoplastic material.
- Cross rods with 4 maintained positions every 90°.
- Arranged with 2 outputs for cable clamps to reduce installation time and make wiring easier.
- Available different versions, also customizable on request.

Compliance and certifications

- 2014/35/UE - 2011/65/UE - 2015/863/UE
- EN 60947-1 (2007/A1 : 2011/A2 : 2014)
- EN 60947-3 (2009/A1 : 2012/A2 : 2015)
- EN 60204-1 (2006/A1 : 2009)
- EN 60529 (1991/A1 : 2000/A2 : 2013)
- EN 50581 (2012)
- IEC 63000 (2016)



FFH
Internal
cam switch
P016 line



contact open contact close

Available codes

	<p>FFH001</p> <ul style="list-style-type: none"> Single speed 3 positions With mechanical interlock 	<p>contacts</p> <table border="1"> <tr> <td>3-4</td> <td></td> <td></td> <td></td> </tr> <tr> <td>1-2</td> <td></td> <td></td> <td></td> </tr> <tr> <td></td> <td>- 90°</td> <td>0</td> <td>+ 90°</td> </tr> </table> <p>positions</p>	3-4				1-2					- 90°	0	+ 90°																		
3-4																																
1-2																																
	- 90°	0	+ 90°																													
	<p>FFH002</p> <ul style="list-style-type: none"> Single speed 3 positions With mechanical interlock 	<p>contacts</p> <table border="1"> <tr> <td>7-8</td> <td></td> <td></td> <td></td> </tr> <tr> <td>5-6</td> <td></td> <td></td> <td></td> </tr> <tr> <td>3-4</td> <td></td> <td></td> <td></td> </tr> <tr> <td>1-2</td> <td></td> <td></td> <td></td> </tr> <tr> <td></td> <td>- 90°</td> <td>0</td> <td>+ 90°</td> </tr> </table> <p>positions</p>	7-8				5-6				3-4				1-2					- 90°	0	+ 90°										
7-8																																
5-6																																
3-4																																
1-2																																
	- 90°	0	+ 90°																													
	<p>FFH003</p> <ul style="list-style-type: none"> Single speed 4 positions Without mechanical interlock 	<p>contacts</p> <table border="1"> <tr> <td>3-4</td> <td></td> <td></td> <td></td> <td></td> </tr> <tr> <td>1-2</td> <td></td> <td></td> <td></td> <td></td> </tr> <tr> <td></td> <td>0</td> <td>90°</td> <td>180°</td> <td>270°</td> </tr> </table> <p>positions</p>	3-4					1-2						0	90°	180°	270°															
3-4																																
1-2																																
	0	90°	180°	270°																												
	<p>FFH004</p> <ul style="list-style-type: none"> Single speed 4 positions Without mechanical interlock 	<p>contacts</p> <table border="1"> <tr> <td>5-6</td> <td></td> <td></td> <td></td> <td></td> </tr> <tr> <td>1-2</td> <td></td> <td></td> <td></td> <td></td> </tr> <tr> <td></td> <td>0</td> <td>90°</td> <td>180°</td> <td>270°</td> </tr> </table> <p>positions</p>	5-6					1-2						0	90°	180°	270°															
5-6																																
1-2																																
	0	90°	180°	270°																												
	<p>FFH005</p> <ul style="list-style-type: none"> Single speed 4 positions Without mechanical interlock 	<p>contacts</p> <table border="1"> <tr> <td>5-6</td> <td></td> <td></td> <td></td> <td></td> </tr> <tr> <td>1-2</td> <td></td> <td></td> <td></td> <td></td> </tr> <tr> <td></td> <td>0</td> <td>90°</td> <td>180°</td> <td>270°</td> </tr> </table> <p>positions</p>	5-6					1-2						0	90°	180°	270°															
5-6																																
1-2																																
	0	90°	180°	270°																												
	<p>FFH006</p> <ul style="list-style-type: none"> Double speed 4 positions With mechanical interlock 	<p>contacts</p> <table border="1"> <tr> <td>7-8</td> <td></td> <td></td> <td></td> <td></td> <td></td> </tr> <tr> <td>5-6</td> <td></td> <td></td> <td></td> <td></td> <td></td> </tr> <tr> <td>3-4</td> <td></td> <td></td> <td></td> <td></td> <td></td> </tr> <tr> <td>1-2</td> <td></td> <td></td> <td></td> <td></td> <td></td> </tr> <tr> <td></td> <td>- 180°</td> <td>- 90°</td> <td>0</td> <td>+ 90°</td> <td>+ 180°</td> </tr> </table> <p>positions</p>	7-8						5-6						3-4						1-2							- 180°	- 90°	0	+ 90°	+ 180°
7-8																																
5-6																																
3-4																																
1-2																																
	- 180°	- 90°	0	+ 90°	+ 180°																											

FCR

Position limit switch

Position limit switch

The **FCR position limit switch** is used to control several handling systems:

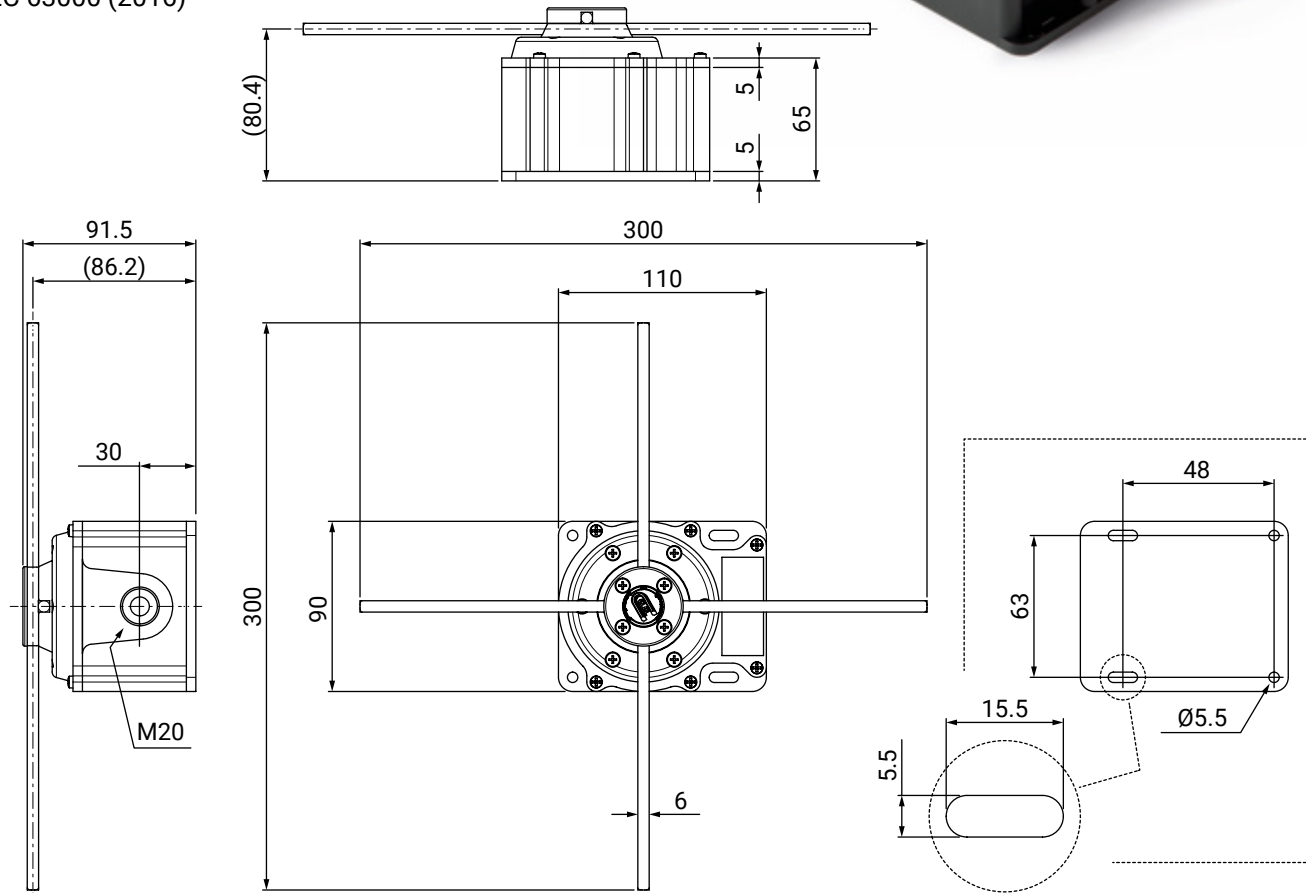
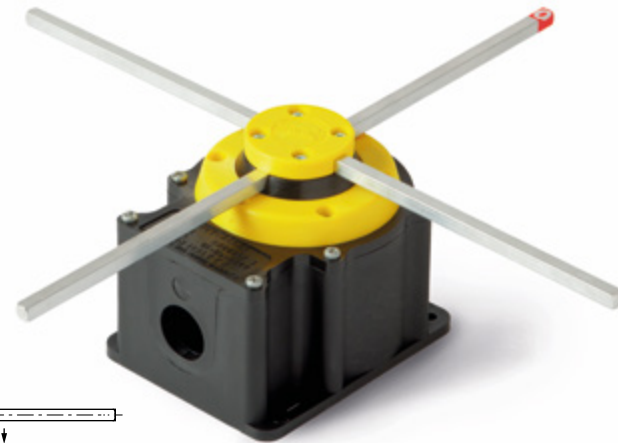
- **Bridge cranes:** the limit switch controls the operating system, for example a PLC, and allows the bridge crane to slow down or stop.
- **Hoists:** the limit switch is used to stop the hoist whenever it reaches a limit position.

Features

- Designed to guarantee excellent performance in the most challenging operating conditions.
- Arranged with 4 fixing holes.
- Positive opening NC contacts for safety functions.
- IP65 protection degree.
- Aluminium rods with 6x6 mm section and enclosure in thermoplastic material.
- Cross rods with 4 maintained positions every 90°.
- Arranged with 1 output for cable clamps to reduce installation time and make wiring easier.
- Available different versions, also customizable on request.

Compliance and certifications

- 2014/35/UE - 2011/65/UE - 2015/863/UE
- EN 60947-1 (2007/A1 : 2011/A2 : 2014)
- EN 60947-3 (2009/A1 : 2012/A2 : 2015)
- EN 60204-1 (2006/A1 : 2009)
- EN 60529 (1991/A1 : 2000/A2 : 2013)
- EN 50581 (2012)
- IEC 63000 (2016)

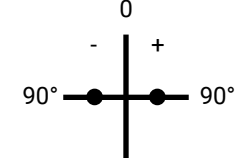
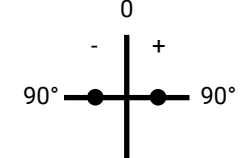
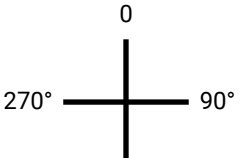
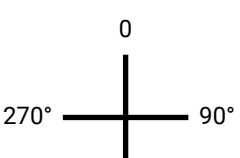
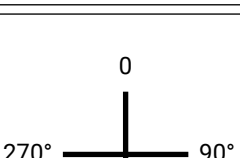
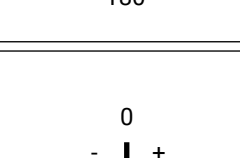


FCR
Internal
cam switch
P016 line



 contact open  contact close

Available codes

	<p>FCR001</p> <ul style="list-style-type: none"> Single speed 3 positions With mechanical interlock 	<p>contacts</p> <table border="1"> <tr> <td>3-4</td> <td></td> <td></td> <td></td> </tr> <tr> <td>1-2</td> <td></td> <td></td> <td></td> </tr> </table> <p>- 90° 0 + 90° positions</p>	3-4				1-2																			
3-4																										
1-2																										
	<p>FCR002</p> <ul style="list-style-type: none"> Single speed 3 positions With mechanical interlock 	<p>contacts</p> <table border="1"> <tr> <td>7-8</td> <td></td> <td></td> <td></td> </tr> <tr> <td>5-6</td> <td></td> <td></td> <td></td> </tr> <tr> <td>3-4</td> <td></td> <td></td> <td></td> </tr> <tr> <td>1-2</td> <td></td> <td></td> <td></td> </tr> </table> <p>- 90° 0 + 90° positions</p>	7-8				5-6				3-4				1-2											
7-8																										
5-6																										
3-4																										
1-2																										
	<p>FCR003</p> <ul style="list-style-type: none"> Single speed 4 positions Without mechanical interlock 	<p>contacts</p> <table border="1"> <tr> <td>3-4</td> <td></td> <td></td> <td></td> <td></td> </tr> <tr> <td>1-2</td> <td></td> <td></td> <td></td> <td></td> </tr> </table> <p>0 90° 180° 270° positions</p>	3-4					1-2																		
3-4																										
1-2																										
	<p>FCR004</p> <ul style="list-style-type: none"> Single speed 4 positions Without mechanical interlock 	<p>contacts</p> <table border="1"> <tr> <td>5-6</td> <td></td> <td></td> <td></td> <td></td> </tr> <tr> <td>1-2</td> <td></td> <td></td> <td></td> <td></td> </tr> </table> <p>0 90° 180° 270° positions</p>	5-6					1-2																		
5-6																										
1-2																										
	<p>FCR005</p> <ul style="list-style-type: none"> Single speed 4 positions Without mechanical interlock 	<p>contacts</p> <table border="1"> <tr> <td>5-6</td> <td></td> <td></td> <td></td> <td></td> </tr> <tr> <td>1-2</td> <td></td> <td></td> <td></td> <td></td> </tr> </table> <p>0 90° 180° 270° positions</p>	5-6					1-2																		
5-6																										
1-2																										
	<p>FCR006</p> <ul style="list-style-type: none"> Double speed 4 positions With mechanical interlock 	<p>contacts</p> <table border="1"> <tr> <td>7-8</td> <td></td> <td></td> <td></td> <td></td> <td></td> </tr> <tr> <td>5-6</td> <td></td> <td></td> <td></td> <td></td> <td></td> </tr> <tr> <td>3-4</td> <td></td> <td></td> <td></td> <td></td> <td></td> </tr> <tr> <td>1-2</td> <td></td> <td></td> <td></td> <td></td> <td></td> </tr> </table> <p>- 180° - 90° 0 + 90° + 180° positions</p>	7-8						5-6						3-4						1-2					
7-8																										
5-6																										
3-4																										
1-2																										

POSITION LIMIT SWITCHES



FFH2C-1

Position limit switch

Position limit switch

The **FFH2C-1 position limit switch** is used to control several handling systems:

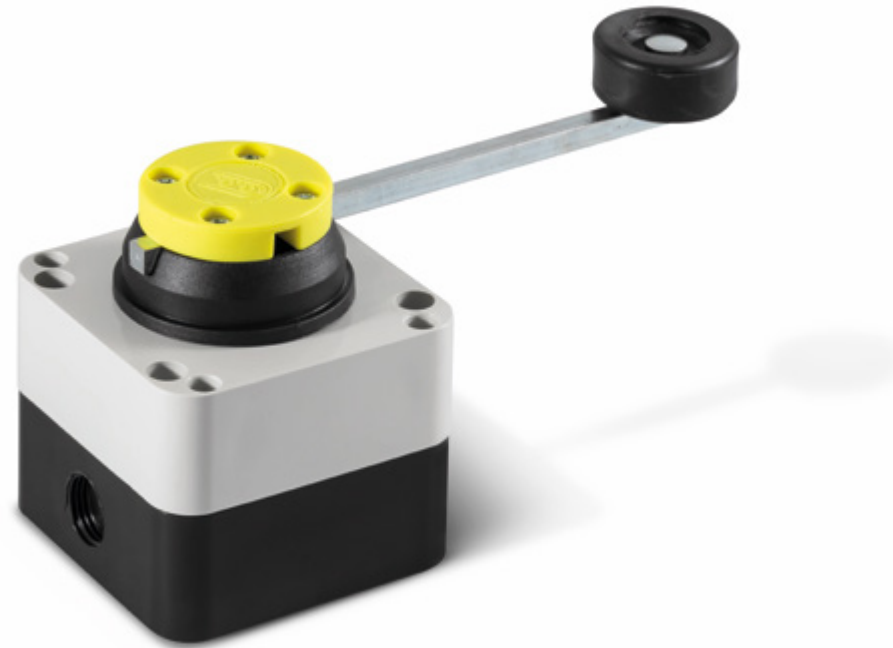
- **Bridge cranes:** the limit switch controls the operating system, for example a PLC, and allows the bridge crane to slow down or stop.
- **Hoists:** the limit switch is used to stop the hoist whenever it reaches a limit position.

Features

- Designed to guarantee excellent performance in the most challenging operating conditions.
- Arranged with 4 fixing holes.
- Positive opening NC contacts for safety functions.
- IP65 protection degree.
- Aluminium rod with 6x6 mm section and enclosure in thermoplastic material.
- Equipped with rod with roller with 65° movements and spring return.
- Arranged for 2 outputs for cable clamps to reduce installation time and make wiring easier.

Compliance and certifications

- 2014/35/UE - 2011/65/UE - 2015/863/UE
- EN 60947-1 (2007/A1 : 2011/A2 : 2014)
- EN 60947-3 (2009/A1 : 2012/A2 : 2015)
- EN 60204-1 (2006/A1 : 2009)
- EN 60529 (1991/A1 : 2000/A2 : 2013)
- EN 50581 (2012)
- IEC 63000 (2016)



Available codes



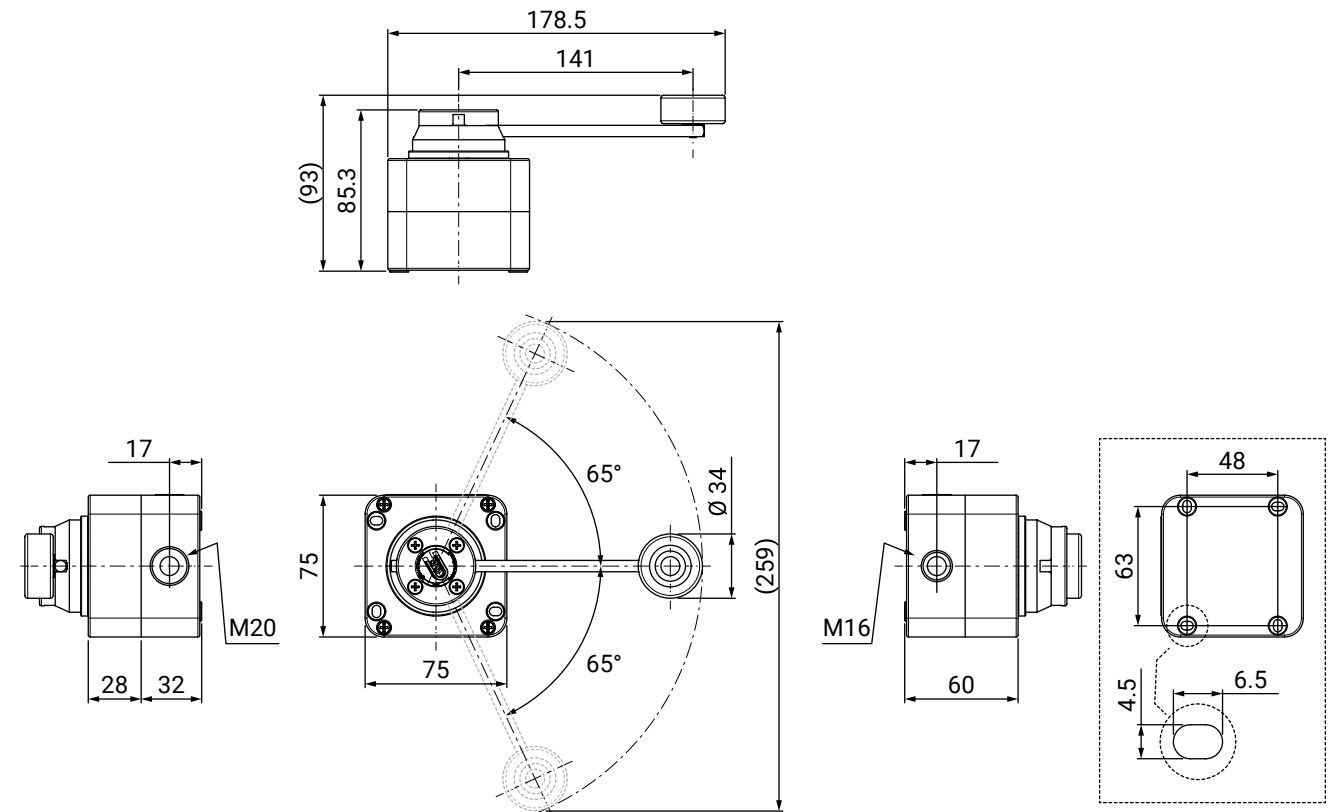
FFH2C-1
Internal
cam switch
PX20 line



 contact open  contact close

	FFH2C-1	Single speed	<table border="1"> <tr> <td>contacts 3-4</td> <td></td> <td></td> <td></td> </tr> <tr> <td>contacts 1-2</td> <td></td> <td></td> <td></td> </tr> <tr> <td></td> <td>- 65°</td> <td>0</td> <td>+ 65°</td> </tr> <tr> <td></td> <td colspan="3">positions</td> </tr> </table>	contacts 3-4				contacts 1-2					- 65°	0	+ 65°		positions		
		contacts 3-4																	
contacts 1-2																			
	- 65°	0	+ 65°																
	positions																		
3 positions with spring return																			
With mechanical interlock																			

Other configurations on request.



FCP245

Position limit switch

Position limit switch

The **FCP245 position limit switch** is used to control several handling systems:

- **Bridge cranes:** the limit switch controls the operating system, for example a PLC, and allows the bridge crane to slow down or stop.
- **Hoists:** the limit switch is used to stop the hoist whenever it reaches a limit position.

Features

- Designed to guarantee excellent performance in the most challenging operating conditions.
- Arranged with 4 fixing holes.
- Positive opening NC contacts for safety functions.
- IP65 protection degree.
- Aluminium rod and lever, enclosure in thermoplastic material.
- Equipped with lever with 50° movements and spring return.
- Arranged for 2 outputs for cable clamps to reduce installation time and make wiring easier.

Compliance and certifications

- 2014/35/UE - 2011/65/UE - 2015/863/UE
- EN 60947-1 (2007/A1 : 2011/A2 : 2014)
- EN 60947-3 (2009/A1 : 2012/A2 : 2015)
- EN 60204-1 (2006/A1 : 2009)
- EN 60529 (1991/A1 : 2000/A2 : 2013)
- EN 50581 (2012)
- IEC 63000 (2016)

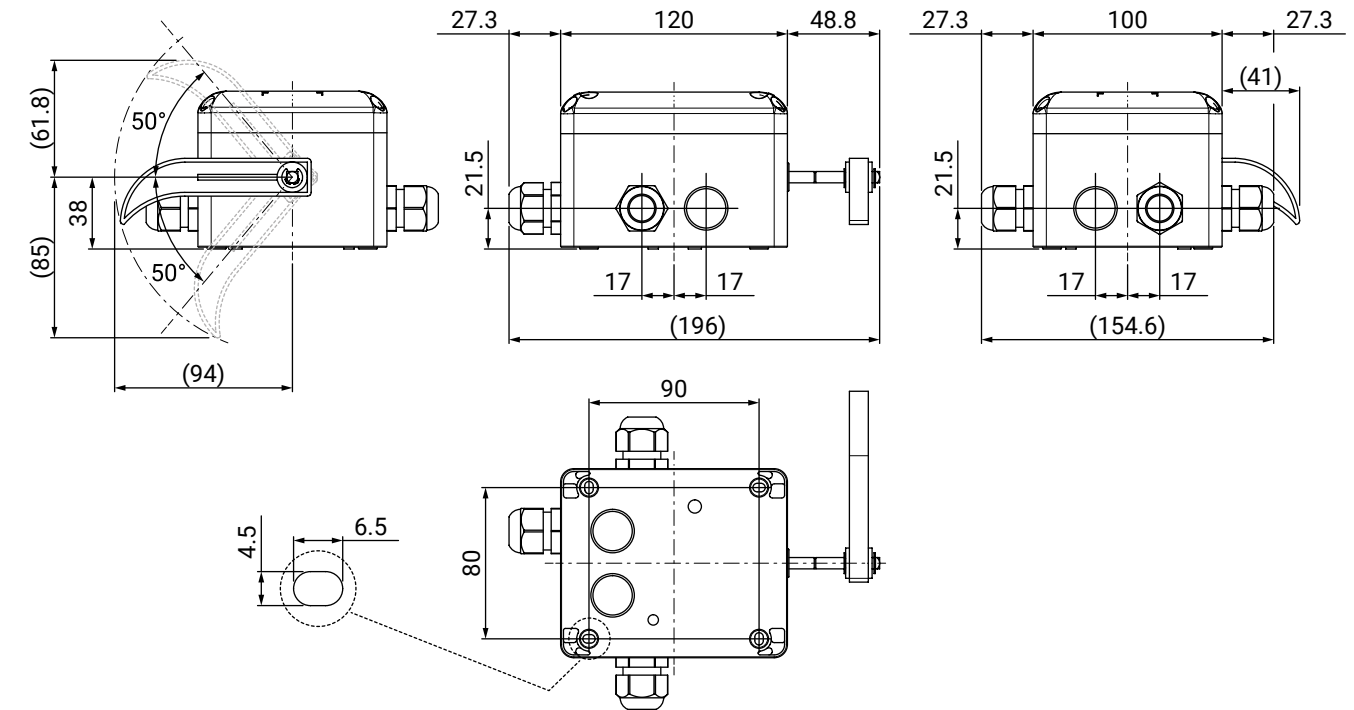


Available codes

FCP245	Single speed	
	3 positions with spring return	
	With mechanical interlock	

Legend: ■ contact open, ■ contact close

Other configurations on request.



POSITION LIMIT SWITCHES

SLIP RINGS

A **slip ring** is an electromechanical device that facilitates the transmission of electrical power and signals from a static to a moving part.

Slip ring is very important component that can solve the 360° continuous rotating and get electricity to a continuously rotating part of assembly, rotate without limits.

Slip rings can enhance the mechanical performance of a machine, streamline system functionality, and eradicate damage-prone wires hanging from rotating joints.

They function by making continuous electrical connections from stationary systems to rotating systems. A slip ring assembly comprises of brush blocks, which are accurately harmonized and usually available as a set of a ring and a brush.

Our products guarantee a reliable operation of the whole equipment system.

APPLICATIONS

Slip rings are used in electromechanical device including rotating table, surveillance systems like radars, medical machines like microscope and support arm lamps, renewable energy sources like wind turbines, automation equipment.

They are used in almost all electromechanical machines which call for unrestricted, discontinuous or continuous spinning while conducting power and signals.



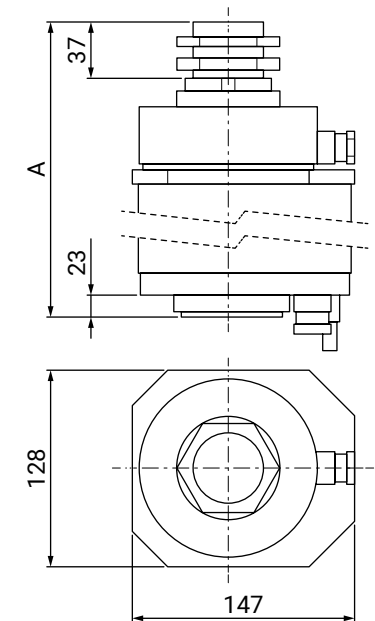
FEATURES

Slip rings are used to transfer electrical signal and power energy between stator and a rotor or vice versa.

They are comprised of 3 or more metal contacts, mounted on the steel shaft. The contact brushes are all replaceable and are in copper.

- **OPERATING TIME:** The operating life of a slip ring depends on the rotation speed and the dynamic stability.
- **CURRENT RATING:** Capacity can be increasing by connecting in series or parallel two or more slip rings.
- **SPEED OPERATION:** Max rotation speed 20 turns 1'.

RINGS NR.	CODE	A (HEIGHT)
3	30402091	180
4	30402092	195
5	30402093	210
6	30402094	225
7	30402095	240
8	30402096	255
9	30402097	270
10	30402098	285
11	30402099	300
12	30402100	315
13	30402101	330
14	30402102	345
15	30402103	360



TECHNICAL DATA

- Rated insulation voltage U_i 690V.
- Rated operating voltage U_e 500Vac.
- Rated operating current 20A.
- Intermittent working 30A.
- IP51 close frame version with protection rated IEC/EN60529.
- Modularity: from 3 up to 15 - Rings: $\varnothing 80$ mm.
- Copper brushes.
- Shaft: $\varnothing 42$ mm.
- PVC $\varnothing 147$ mm housing and terminals cover.
- Ambient temperature: +60°C/-30°C.

GIOVENZANA INTERNATIONAL B.V.

Strawinskylaan, 1105
1077 XX Amsterdam, THE NETHERLANDS
Ph: +31 (0) 20.4413576
Fax: +31 (0) 20.4413456
E-mail: giovenzana@giovenzana.com

G.T.R. LLC

Likhov lane, h.3, b.2, office 101
127051, Moscow, RUSSIAN FEDERATION
Ph: +7.495.6991296 / +7.499.9228548
Fax: +7.495.6991520
E-mail: gtr@giovenzana.com

GIOVENZANA CONTROLS INDIA Pvt. Ltd.

A-102, Knox Plaza, Chincholi, Off Link Road
Near Mindspace, Malad West
400064 Mumbai, INDIA
Ph: +91.22.42640071
E-mail: ggindia@giovenzana.com

GIOVENZANA CONNECTING BRASIL

Rua Enxovia, 472 - cj1314-1315 Cep. 04711-030
Vila São Francisco, São Paulo, BRASIL
Ph: +55 11 3360-6840 / +55 11 3530-5316
E-mail: logistic.brasil@giovenzana.com

GIOVENZANA INTERNATIONAL B.V. - Dubai Branch

Jafza 15, Jebel Ali Free Zone
P.O. Box 262146 Dubai - U.A.E.
Ph: +971.4.8870788
Fax: +971.4.8870787
E-mail: uae@giovenzana.com



WWW.GIOVENZANA.COM