

# Curaflex Nova<sup>®</sup> Uno/MS

NON-PRESSING WATER  
PRESSING WATER

- Sealing of penetrations
- Use in **on-site pipe sleeve**
- or **waterproof concrete core bore** (white tank)
- With **additional shrink technology**
- Ideal for **flexible cable protection pipes**



## PRODUCT ADVANTAGES

- With ITL system for optimal contact pressure – can also be installed with a cordless screwdriver
- No relevant mechanical forces are exerted on the pipe thanks to the shrink technology
- Ideal for corrugated pipes or medium voltage cables where no mechanical forces are allowed or able to be exerted on the pipe (thin-walled 'ribs' or similar)
- Permanently sealed – no need to re-tension later (maintenance-free)
- Greater sealing performance of the gasket insert thanks to DOYMA-Grip

## TECHNICAL DETAILS

- Certified under FHRK test regulation GE 101 (no. G 30 322-2-5) (only valid for the Curaflex Nova Uno gasket insert in this case) - FHRK 40 LD10
- Gas and water-tight
- With shrink technology

## THE GASKET INSERT CONSISTS OF:

- Blue frame ring made of high-performance plastic
- Elastomer sealing ring, 40 mm wide, made of EPDM (DOYMA-Grip)
- Heat-shrink sleeving
- PEHD jacket pipe
- ITL nuts
- A4 stainless steel screws



### SMART DOYMA PLATFORM

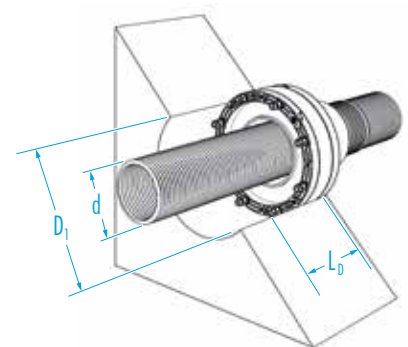
Simply scan and get detailed information!



### ACCESSORIES (OPTIONAL)\*

- Aquagard core bore sealant
- Fixing tabs
- ITL nut set

\* see corresponding section



## Curaflex Nova® Uno/MS

Inner diameter of pipe sleeve/core bore D <sub>i</sub> [DN in mm]	Outer diameter of pipe/cable d [mm]	Article number
100 (99 – 104)	20 – 39	1 88 3 032 100 4 0
	40 – 50	1 88 3 050 100 4 0
150 (149 – 153)	40 – 50	1 88 3 050 150 4 0
	51 – 95	1 88 3 090 150 4 0
200 (199 – 203)	64 – 95	1 88 3 090 200 4 0
	96 – 147	1 88 3 110 200 4 0
250 (249 – 253)	64 – 95	1 88 3 090 250 4 0
	96 – 150	1 88 3 110 250 4 0
300 (299 – 303)	90 – 150	1 88 3 110 300 4 0
	151 – 204	1 88 3 200 300 4 0
L <sub>0</sub> (max. design length) [mm]: 110		