

NC3600 Series

High ENR Noise Source

200 MHz to 45 GHz



High ENR Coaxial Noise Sources

The NC3600 offers a High ENR Output Over a Wide Frequency Range. The NC3600 Series coaxial noise sources are an excellent choice for applications requiring high ENR, such as ATE, radiometer, and radar systems.

An SMA male connector is standard for the RF output and feed thrus for bias input. SMA female is an option. Custom frequencies and flatness available. Contact the factory with your request.

Applications

- Radar systems
- High NF device measurements
- Automated test equipment (ATE)

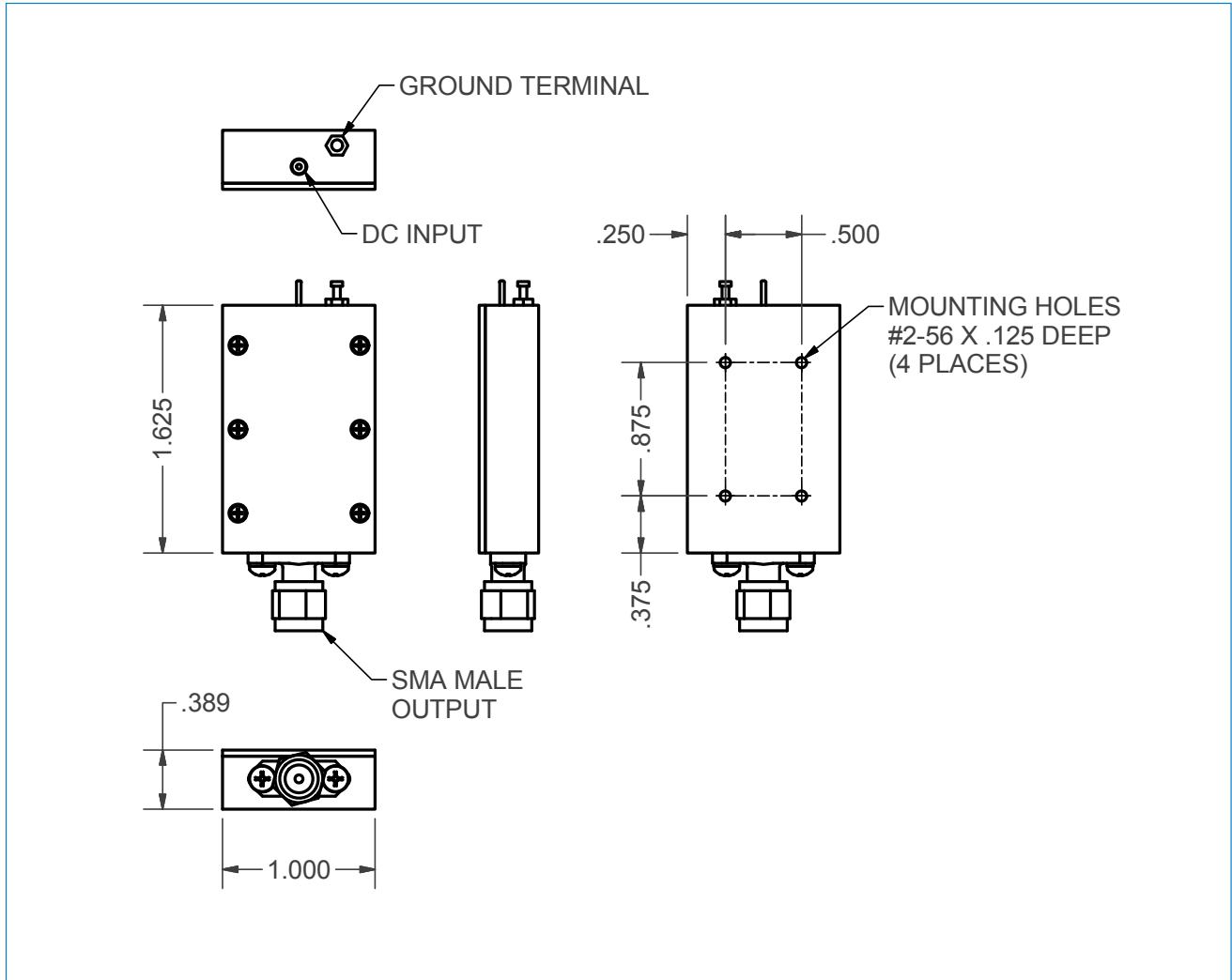
Model	Frequency Range (GHz)	Noise Output ENR (dB)	Flatness (dB)
NC3608	2 GHz -18 GHz	>40	+/- 1.5
NC3609	0.2 GHz-18 GHz	>40	+/- 1.5
NC3610	18-40 GHz	>33	+/- 2.0
NC3611	2 – 40 GHz	>30	+/- 2.0
NC3612	20 – 45 GHz	>30	+/- 3.0

Specifications

Standard input voltage	+15V
Typical current	100 mA
Callibration	Every 1 GHz

Option Number	Description
NC36opt01	SMA Female output connector

NC3600 Series Dimensions (inches)



Wireless Telecom Group Inc.
25 Eastmans Rd
Parsippany, NJ
United States
Tel: +1 973 386 9696
Fax: +1 973 386 9191
www.noisecom.com

© Copyright 2018
All rights reserved.

N/NC3600/1018/EN
Note: Specifications, terms and conditions
are subject to change without prior notice.