



## THYRISTOR SWITCHES

SC series thyristor switches are used in systems where fast-switching is required. With the use of SC series thyristor switches, capacitors can be switched on and off in a duration of 1 period (20ms). As a result, power factor correction of fast-switching loads such as spot welding machines, cranes and arc furnaces can be done effectively.

- Reaction time of less than 20ms
- Triggering with RS-485 or DC signal
- Reactor thermal input
- Thermal protection
- Warning LEDs
- Easy mounting
- Quiet operation
- Cooling design that enables continuous operation under maximum temperature and load (Optional)
- High safety with FFT in high harmonic environments
- Compatible RG3, RGA, RGSR, RGP power factor controller

Field of use:

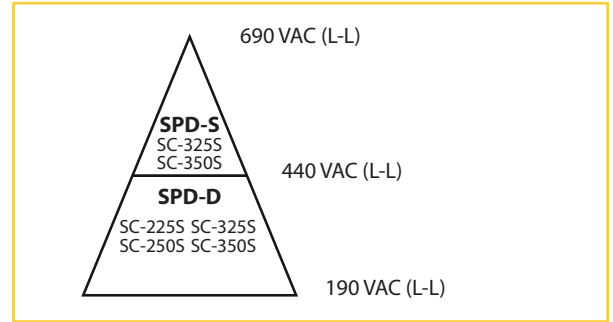
Arc furnaces, spot welding machines, crane systems, elevator applications



## SPECIFICATIONS

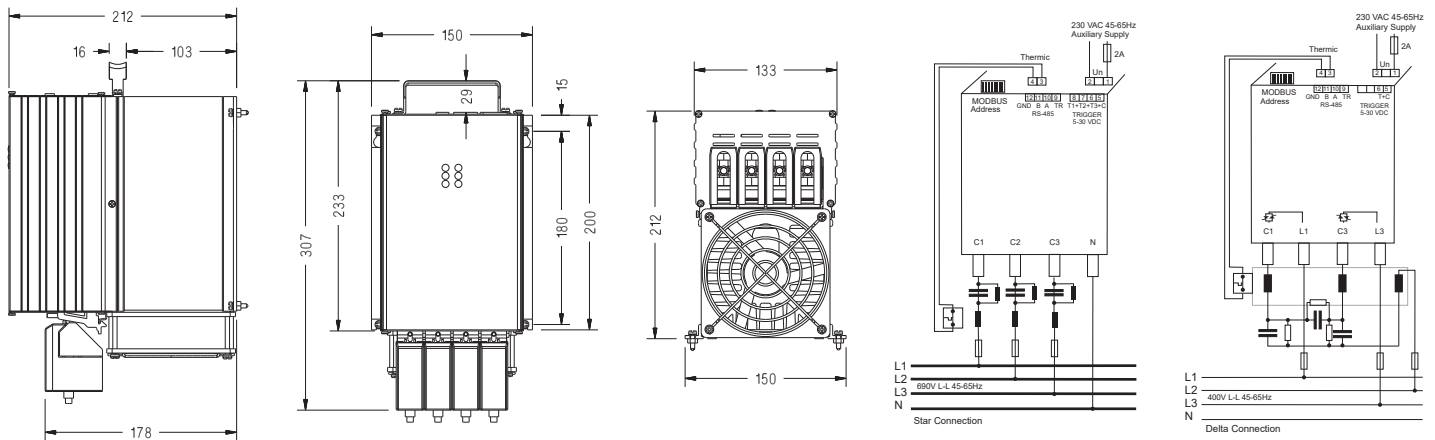
	25 kVAr / 50 kVAr Thyristor Switches
Operating Voltage	440V/690V
Maximum Power	25kVAr/50 kVAr
Frequency	45-65 Hz
Trigger Voltage	5-30 V DC
Operating Temperature	-10 C°, +55C°
Storage Temperature	-10C°, +75C°
Humidity	%95
Protection Class	IP-00
Standard	EN 60947-1

	25 kVAr	50 kVAr
Delta with 2 Thyristors (440V)	SC-225S	SC-250S
Star with 3 Thyristors (690V)	SC-325	SC-350S

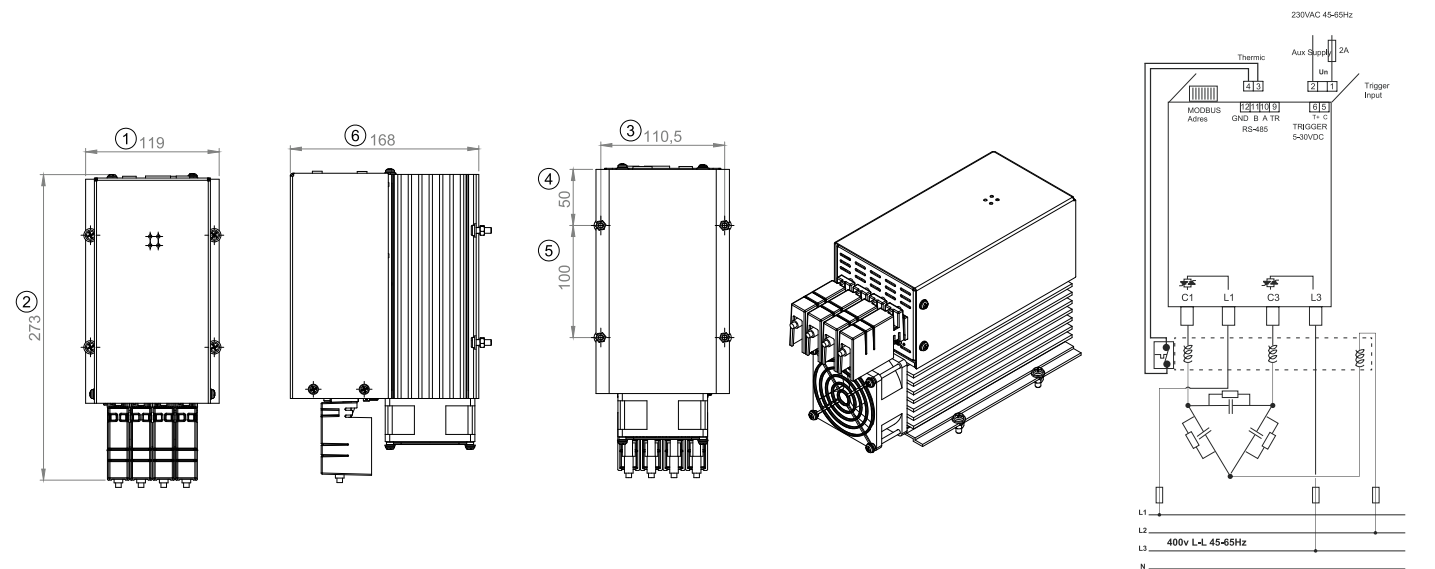


⚠ These products are advised to be used with ENTES SPD Series Surge Protection Devices

## SC-325/SC-350 Technical drawings



## SC-250S/ SC-225S Technical Drawings



\* All measurement units are mm

\* Fan is only included on SC-350/SC-325/SC-250S models

## HEADQUARTERS

Address: Dudullu OSB; 1. Cadde; No: 23 34776 Umraniye - ISTANBUL / TURKIYE Tel: +90 216 313 01 10 Fax: +90 216 314 16 15 Sales Fax: +90 216 365 71 71  
E-mail: contact@entes.eu Web: www.entes.eu Call Center Technical Support: 0850 888 84 25 Coordinates: 40,995852 N, 29,178398 E

## INTERNATIONAL BRANCH OFFICES

ISTANBUL : contact@entes.eu Tel: +90 216 313 01 10 Fax: +90 216 314 16 15  
INDIA : contact@entes.in Tel: +91 981 - 2980004  
GREECE : contact@entes.eu Tel: +30 2310 706999 +30 2310 707296  
GERMANY : kontakt@enteselektronik.com Tel: +49(0) 7022-931992-0

© ENTES Elektronik Cihazlar İmalat ve Ticaret A.Ş.

