

Part number

CKA 03 IAPS



Angled Bulkhead mounting housing, CKA series, with 1 lever, Pg11 cable entry, size "21.21"

Product description

Product type	Angled bulkhead mounting housing
Series	CKA
Closing type	With 1 lever
Size	Size "21.21"
Cable entry	With cable entry Pg11

Technical data

IP degree of protection	IP44 (IP66/IP67/IP69 with CKR 65/CKR 65 D kits)
--------------------------------	---

Further technical details

Weight	61,50 g
Operating temperature range (min, max)	-40°C...+125°C

Material properties

Colour	RAL 7040 grey
RoHs conformity	Compliant
China RoHs - EFUP	E
REACH SVHC substances	No

Approvals / Standards

UL	ECBT2
cUL	ECBT8

General ordering information

EAN13 code	8015747026987
-------------------	---------------

Packaging Information

Packaging length	450,00 mm
Packaging height	175,00 mm
Packaging width	230,00 mm
Packaging weight	2,83 kg
Packaging volume	18,11 dm ³
Packaging description	Carton box
Packaging quantity	100 Pcs
Packaging EAN code	8015747233941
Sub-packaging length	210,00 mm
Sub-packaging height	40,00 mm
Sub-packaging width	175,00 mm
Sub-packaging weight	0,28 kg
Sub-packaging volume	1,47 dm ³
Sub-packaging description	Carton box
Sub-packaging quantity	10 Pcs
Sub-packaging EAN barcode	8015747026994

Part number

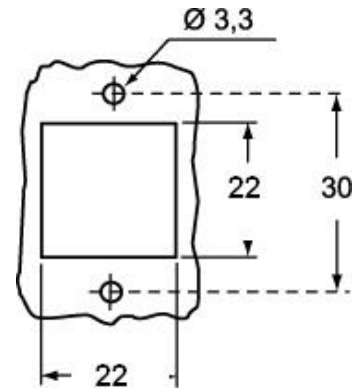
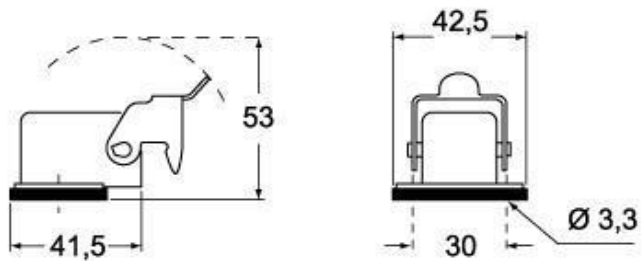
CKA 03 IAPS



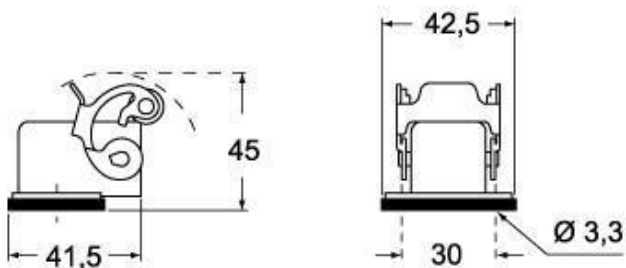
Catalogue drawings

Catalogue drawings

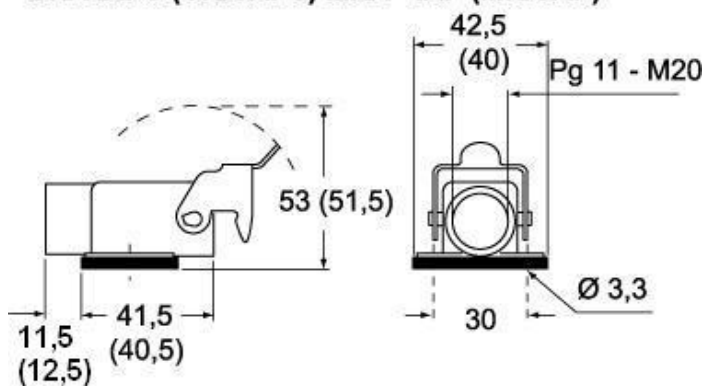
CKA IA



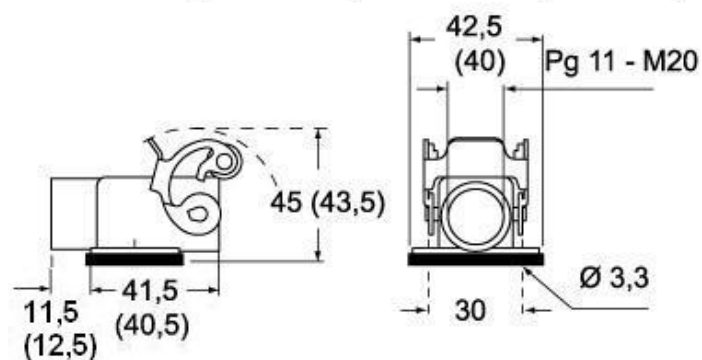
CKAX IA



CKA IAPS (CKA APS) MKA - IAP (MKA AP)



CKAX IAPS (CKAX APS) - MKAX IAP (MKAX AP)



Notes

Dimensions shown in mm are not binding and may be changed without notice.
