

Part number

MK IAP20



Angled Bulkhead mounting housing, CK series, with 1 lever, M20 cable entry, size "21.21"

Product description

Product type	Angled bulkhead mounting housing
Series	CK
Closing type	With 1 lever
Size	Size "21.21"
Cable entry	With cable entry M20
Specification	White colour

Technical data

IP degree of protection	IP44 (IP66/IP67/IP69 with CKR 65/CKR 65 D kits)
--------------------------------	---

Further technical details

Weight	14,00 g
Operating temperature range (min, max)	-40°C...+125°C

Material properties

Colour	RAL 7035 grey
RoHs conformity	Compliant
China RoHs - EFUP	E
REACH SVHC substances	No

Approvals / Standards

UL	ECBT2
cUL	ECBT8

General ordering information

EAN13 code	8015747056472
eCl@ss 8.1	27440202
ETIM 7.0	EC000437

Packaging Information

Packaging length	360,00 mm
Packaging height	165,00 mm
Packaging width	315,00 mm
Packaging weight	1,48 kg
Packaging volume	18,71 dm ³
Packaging description	Carton box
Packaging quantity	100 Pcs
Packaging EAN code	8015747056489
Sub-packaging weight	0,15 kg
Sub-packaging description	Carton box
Sub-packaging quantity	10 Pcs
Sub-packaging EAN barcode	8015747056496

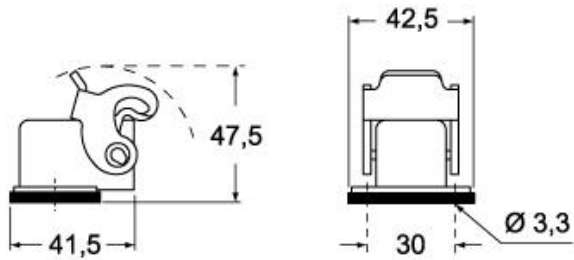
Part number

MK IAP20

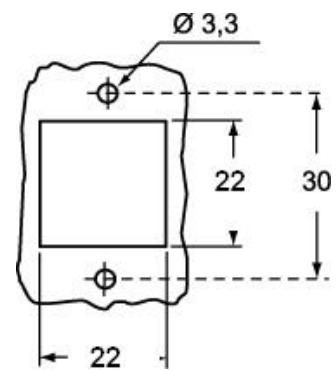


Catalogue drawings

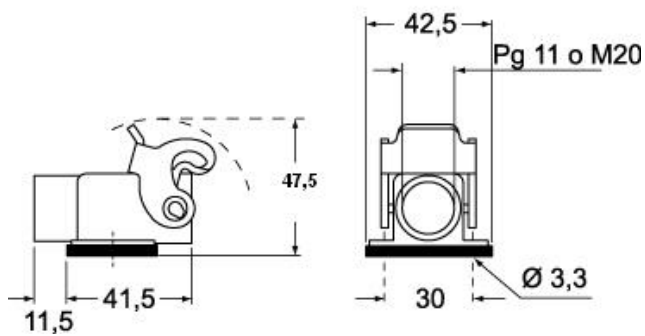
CK IA(N)



Catalogue drawings

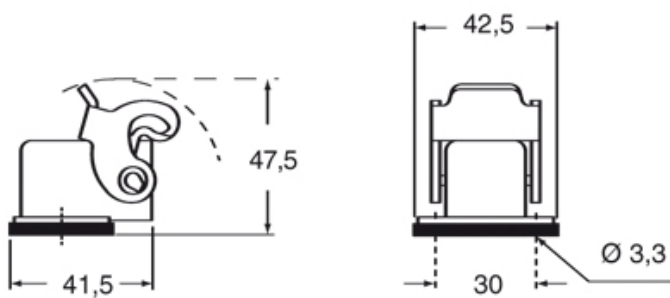


CK IAP(N)S - MK IAP (N)



Catalogue drawings

CK IA(N)



Notes

Dimensions shown in mm are not binding and may be changed without notice.