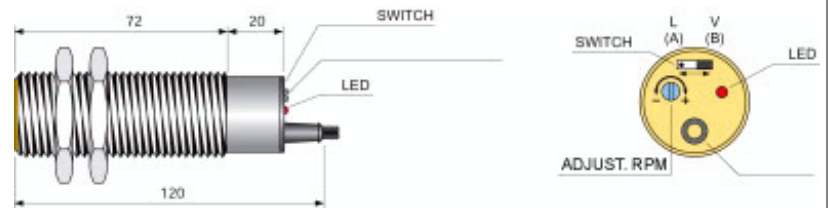




Part number: CRC000013 - Model: CRT30A-R10



Dimension in mm

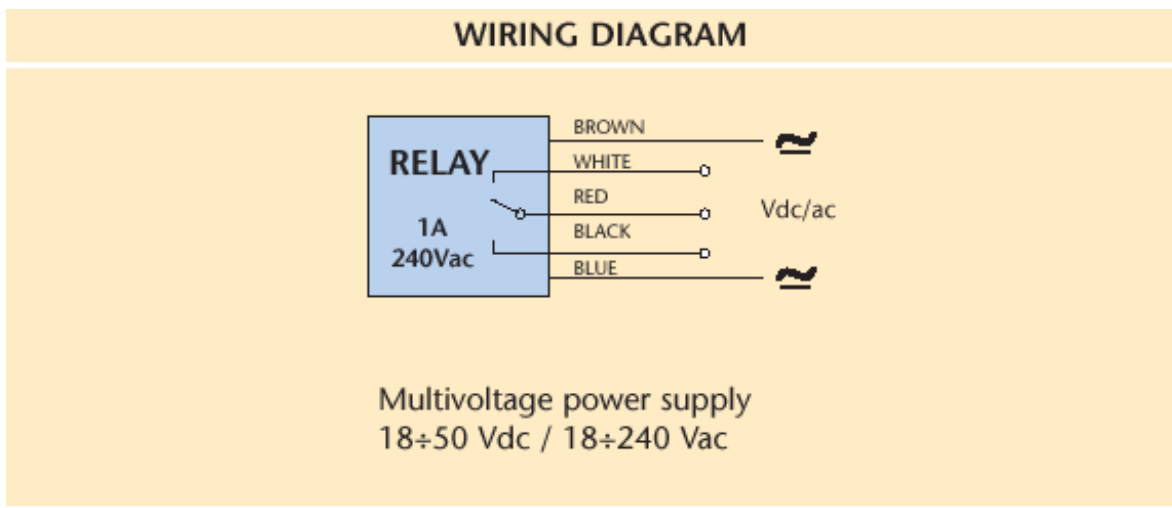
TECHNICAL CHARACTERISTICS

Control type:	Over speed
Detection type:	Inductive (integrated function)
Detectable rotations range (RPM):	High range (120 ÷ 3000 adjustable)
Working voltage:	18 ÷ 50 Vdc / 18 ÷ 240 Vac
Switching distance (Sn):	4 ÷ 6 mm with metallic plate >= 30x30x1
Delayed alarm activation time:	0.8 sec
Response time:	0.5 ÷ 0.02 sec
Block function - A:	Programmable
Autoreset function - B:	Present
Absorption:	< 20 mA @ relay ON
Output type:	Changeover relay
Max output current:	1A @ 240 Vac
Led indicator:	YELLOW: target detection - RED: Allarm (output state)
Temperature limits:	-20 ÷ +70 °C
IP rating:	IP 65
Connection type:	Cable 3m
Cable type:	5x0.35 PVC
Mechanical characteristics:	M30x1.5
Housing material:	Nickelled brass
Weight:	240 g

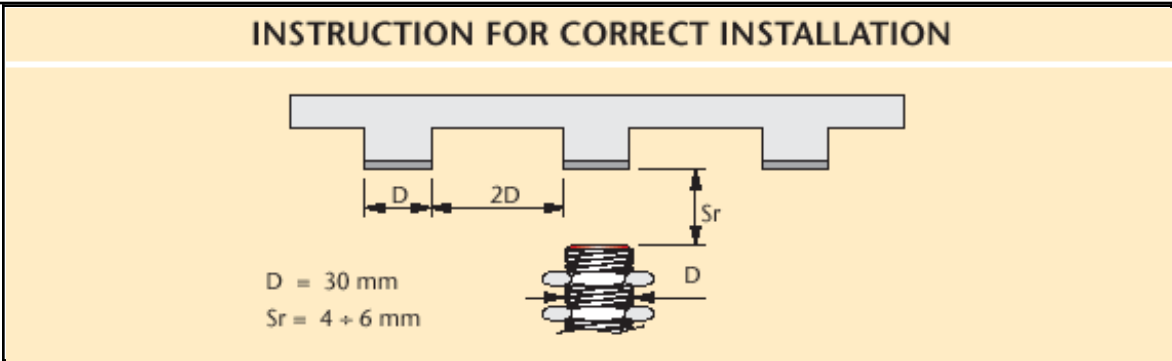
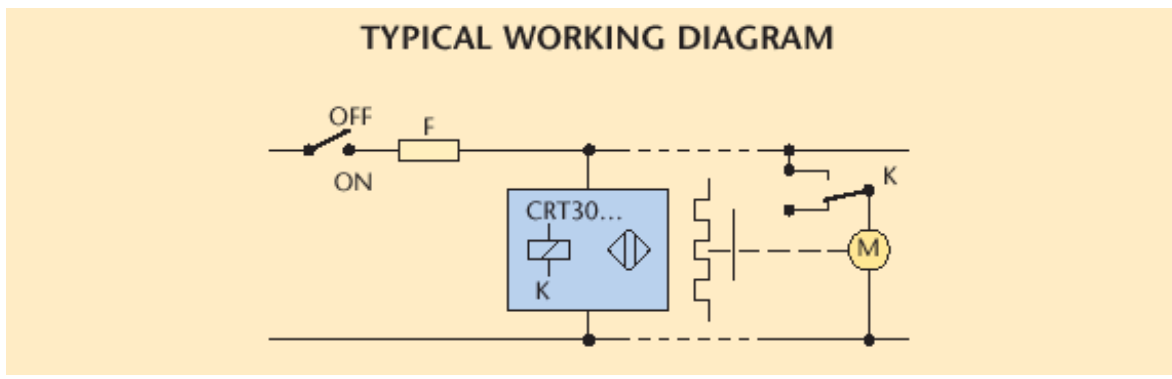


Part number: CRC000013 - Model: CRT30A-R10

WIRING DIAGRAM



INSTRUCTIONS FOR CORRECT INSTALLATION



WORKING DIAGRAM

