

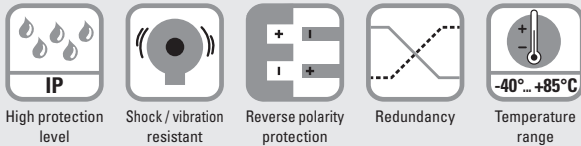
Inclinometers

Inclinometer MEMS / capacitive	IN88, 1- and 2-dimensional	CANopen
---	-----------------------------------	----------------



The inclinometers of the IN88 series allow measuring 2-dimensional inclinations in the range of $\pm 85^\circ$ or 1-dimensional inclinations up to 360° .

With their high robustness, their protection level up to max. IP69k and their wide temperature range from -40°C to $+85^\circ\text{C}$, these devices are ideally suitable for outdoor use – e.g. for mobile automation applications.



Robust

- High protection rating IP67 and IP69k in one device.
- Highest robustness thanks to metal housing.
- Stable accuracy over the whole temperature range from -40°C up to $+85^\circ\text{C}$.
- Non long-term drift thanks to sensor array technique.

Versatile

- Parameterizable filter.
- Measuring direction 1- or 2-dimensional.
- With 1 x M12 connector or 2 x M12-connector.
- Stacked installation possible for redundancy.

Order code

8.IN88	.XX21	.12X
Type	a b c	d e

a Measuring direction 1 = 1-dimensional 2 = 2-dimensional	b Measuring range 6 = $\pm 85^\circ$ ¹⁾ 7 = $0^\circ \dots 360^\circ$ ²⁾	c Interface 2 = CANopen	d Supply voltage 2 = 10 ... 30 V DC	e Type of connection 1 = 1 x M12 connector, 5-pin 3 = 2 x M12 connector, 5-pin
--	---	-----------------------------------	---	---

Accessories		Order no.
Adapter plate	for installation identical to Kübler inclinometer IS60	8.0010.4062.0000
Connection technology		Order no.
Cordset, pre-assembled	M12 female connector with coupling nut for Bus in, 5-pin, A coded, straight single ended 5 m [16.40'] PVC cable	05.00.6091.A211.005M
	M12 male connector with external thread for Bus out, 5-polig, A coded, straight single ended 5 m [16.40'] PVC cable	05.00.6091.A411.005M
	M12 female connector with coupling nut for Bus in, 5-polig, A coded, straight Deutsch connector, 6-pin, DT04 1 m [3.28'] PVC cable	05.00.6091.22C7.001M
Connector, self-assembly	M12 female conn. with coupling nut for Bus in, 5-pin, A coded, straight (metal/plastic)	05.B-8151-0/9
	M12 male conn. with external thread for Bus out, 5-pin, A coded, straight (metal/plastic)	05.BS-8151-0/9

Further accessories can be found in the accessories section or in the accessories area of our website at: www.kuebler.com/accessories
Additional connectors can be found in the connection technology section or in the connection technology area of our website at: www.kuebler.com/connection_technology

1) Can only be ordered in conjunction with measuring direction 2-dimensional.
2) Can only be ordered in conjunction with measuring direction 1-dimensional.

Inclinometers

**Inclinometer
MEMS / capacitive**

IN88, 1- and 2-dimensional

CANopen

Technical data

General electrical characteristics

Supply voltage	10 ... 30 V DC	
Current consumption (no load)	max. 70 mA	
Reverse polarity protection of the supply voltage	yes	
Measuring axes	1 or 2	
Measuring range	1-dimensional	360°, no limit stop
	2-dimensional	±85° (see order code)
Resolution	0.01°	
Accuracy at 25°C¹⁾	1-dimensional	typ. ±0.2°
	2-dimensional	typ. ±0.4°
Repeat accuracy	±0.2°	
Transverse sensitivity²⁾	typ. ±0.3°	
Temperature coefficient	typ. ±0.006°/K	
Sampling rate	50 Hz (20 ms)	
Limit frequency with Butterworth filter factory setting	0.1 ... 10 Hz, 8th order 10 Hz	
CE compliant acc. to	EMC guideline 2014/30/EU RoHS guideline 2011/65/EU	
UL approval³⁾	file 224618	
E1 type-approval	10R-058255	

EMC

Relevant standards	EN 61326-1	Electrical equipment for measurement, control and laboratory use
	EN 61000-6-2	Immunity for industrial environments
	EN 55011 Klasse B, EN 61000-6-3	Emitted interferences for residential environments
	EN ISO 14982	Agricultural and forestry machinery, electromagnetic compatibility, test methods and acceptance criteria
	EN 13309:2010-07	Construction machinery - Electromagnetic compatibility of machines with internal supply voltage

Mechanical characteristics

Connection	1 x M12 connector 2 x M12 connector	5-pin, male connector 5-pin, male connector / 5-pin, female connector
Weight	approx. 185 g [6.53 oz]	
Protection acc. to EN 60529	IP67 / IP69k ³⁾	
Working temperature range	-40°C ... +85°C [-40°F ... +185°F]	
Material	housing	aluminum
Shock resistance acc. to EN 60068-2-27	1000 m/s ² , 6 ms	
Vibration resistance acc. to EN 60068-2-6	100 m/s ² , 10 ... 2000 Hz	
Dimensions	80 x 60 x 23 mm [3.15 x 2.36 x 0.91"]	

1) Over the whole temperature and max. measuring range
1-dimensional ≤ ±0.4°; 2-dimensional ≤ ±1°.

2) Only for 2-dimensional measuring direction.

3) The IP protection class is not UL-tested. Verified by Kübler.

A full description of the technical data can be found in the relevant product manual at www.kuebler.com.

Interface characteristics CANopen

Interface	CAN high-speed acc. to ISO 11898, Basic- and Full-CAN CAN specification 2.0 B
Protocol	CANopen profile DS410 V1.3 with manufacturer-specific add-ons, communication profile DS301 V4.2
Baud rate	10 kbit/s, 20 kbit/s, 50 kbit/s, 125 kbit/s, 250 kbit/s, 500 kbit/s, 800 kbit/s, 1 Mbit/s software configurable
Node address	1 ... 127 software configurable
Termination switchable	software configurable
LSS protocol	DS305 layer setting services 2.2

General information on CANopen

The CANopen inclinometers support the latest CANopen communications profile according to DS301. In addition, device-specific profiles such as the inclinometer profile DS410 and DS305 (LSS) are available.

The following operating modes may be selected: Polled Mode, Cyclic Mode, Sync Mode. Moreover, scale factors, preset values and many other additional parameters can be programmed via the CAN bus. When switching the appliance on, all parameters are loaded from a flash memory. These parameters have previously been stored in a zero-voltage secure manner. The output values **position**, **position raw value**, **sensor temperature** and **sensor information** can be combined very variably as a PDO (PDO mapping). The inclinometers are available with one or two connectors.

The device address and baud rate can be set/modified by means of the software.

The two-color LED indicates the operating or fault status of the CAN bus, as well as the status of the internal diagnostics.

LSS layer setting services DS305 V2.2

- Global command support for node address and baud rate configuration.
- Selective protocol via identity object (1018h).

CANopen communication profile DS301 V4.2

Among others, the following functionality is integrated (Class C2 functionality):

- NMT slave.
- Heartbeat protocol.
- Identity object.
- Error behavior object.
- Variable PDO mapping, 2 sending PDO's.
- Node address, baud rate and programmable CANbus termination.

CANopen inclinometer profile DS410 V1.3

The following parameters can be programmed:

- Variable PDO mapping of position, position raw value, sensor temperature and sensor information.
- Extended failure management.
- User interface with visual display of bus and failure status - 1 LED two-color.
- Customer-specific protocol.
- "Watchdog controlled" device.

Inclinometers

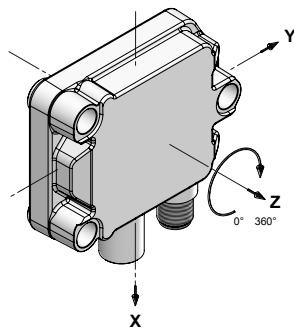
Inclinometer MEMS / capacitive	IN88, 1- and 2-dimensional	CANopen
---	-----------------------------------	----------------

Terminal assignment

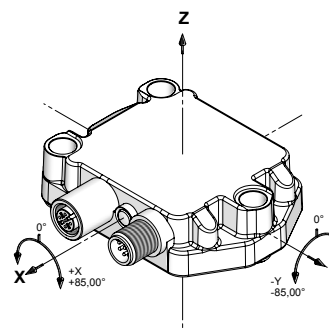
Interface	Type of connection	1 x M12 connector, 5-pin						
2	1	Bus IN						
		Signal:	+V	0 V	CAN_GND	CAN_H		CAN_L
		Pin:	2	3	1	4		5
Interface	Type of connection	2 x M12 connector, 5-pin						
2	3	Bus OUT						
		Signal:	+V	0 V	CAN_GND	CAN_H		CAN_L
		Pin:	2	3	1	4		5
		Bus IN						
		Signal:	+V	0 V	CAN_GND	CAN_H		CAN_L
		Pin:	2	3	1	4		5

Direction of inclination

1-dimensional



2-dimensional



Inclinometers

Inclinometer MEMS / capacitive	IN88, 1- and 2-dimensional	CANopen
---	-----------------------------------	----------------

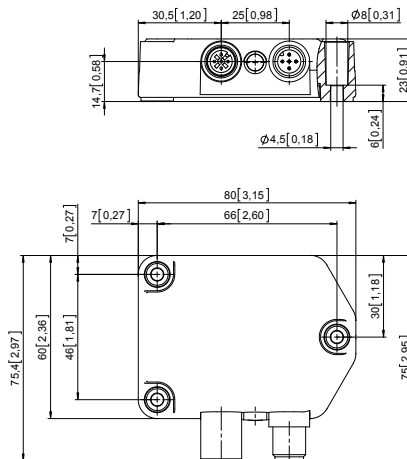
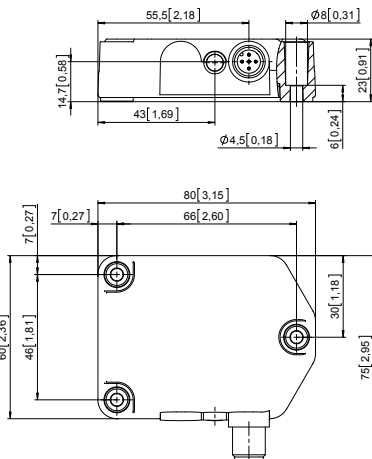
Dimensions

Dimensions in mm [inch]

1 x M12 connector 5-pin, male contacts

1 x M12 connector 5-pin, male contacts

1 x M12 connector 5-pin, female contacts



Adapter plate

for installation identical to Kübler inclinometer IS60

