

# GMS056

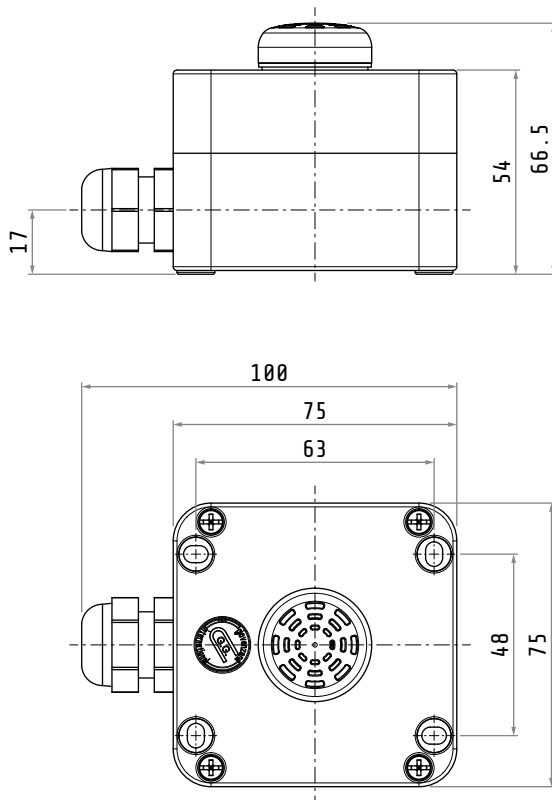
**STATION WITH YELLOW LED  
AND PULSED BUZZER**

## Specifications

Material / color	cover: PC V0 transparent base: ABS V0 black RAL9005
Protection class	IP65
Operating temperature	-25°C ... +70°C
Max current	100 mA
Max power	2.4 W
Standards	EN81-20 / EN81-50
Cable gland	M16
Knockout	M20
Light diffusion angle	120°

Electronic PCB		
LED color	fixed	yellow
Rated voltage		12/24 VDC

Buzzer		
Sound pressure		80 dBA
Material		ABS V0
Protection class		IP69K
Rated voltage		24 VDC
Standards		EN60529



Dimensions in mm / illustrations NOT in scale