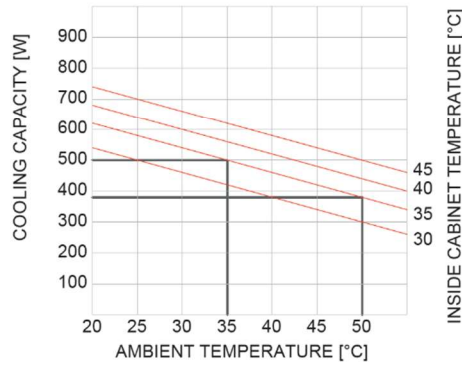
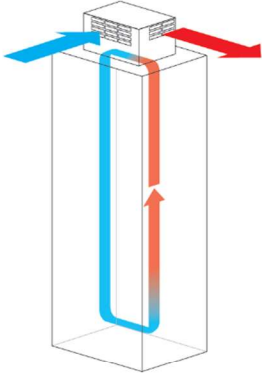


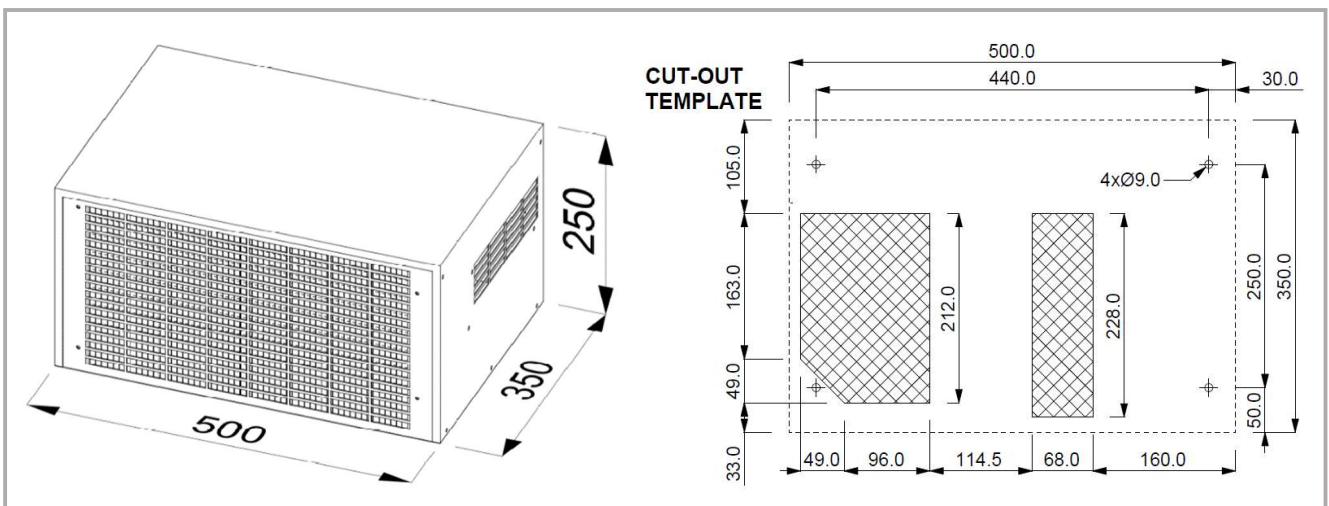


ARC 050

ROOF MOUNT AIR CONDITIONER FOR INDOOR APPLICATION



CONTROL TYPE			ARTICLE CODE
Digital thermostat with alarms			ARC050.002
Digital thermostat with alarms and RS485 port (ModBUS)			ARC050.003
FEATURES		Unit	
Power supply		V ph Hz	230 1 50/60
Cooling capacity EN14511	A35-A35	W	500 / 520
	A35-A50	W	360 / 380
Absorbed electric power EN14511	A35-A35	W	270 / 300
	A35-A50	W	300 / 350
Rated current	A35-A35	A	2.0 / 2.2
Motor circuit breaker / Delayed pre fuse (advised)		A	6
Electrical connection		-	Three-pole connector
Air flow rate (free blow)	enclosure	m³/h	255 / 290
Operating temperature	ambient	°C (°F)	+20 +55 (+68 +131)
	enclosure	°C (°F)	+20 +45 (+68 +113)
Refrigerant /charge		- g	R134a 250
Protection degree EN60529/1	ambient	-	IP34
	enclosure	-	IP54 (when installed on enclosure with the same protection degree)
Design	casing	-	Galvanised sheet steel
	cover	-	Galvanised sheet steel powder coated RAL7035
Package Dimension H x W x D		mm	495 x 640 x 345
Weight (with packaging)		kg	22(23)
Conformity / Certifications		-	CE
Accessories			
Door limit switch			FINCOR
Door limit switch with mechanical lock			FINRIP
Flashing safety device			FSL



Specifications, values and drawings are subject to change without notice.