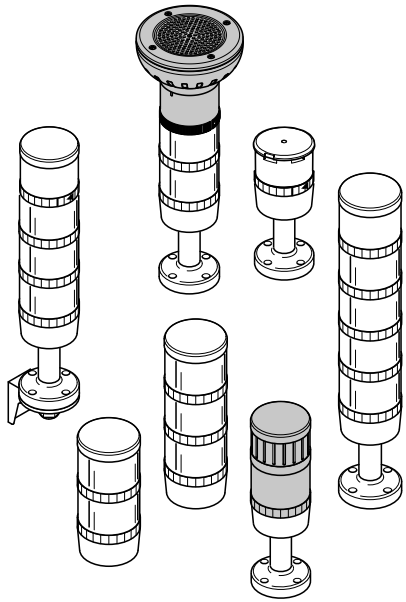


## KombiSIGN 71/72



**DANGER**

**⚠** **II**

**D** Anschluss **ausschließlich** durch ausgebildete Elektro-Fachkräfte.

**GB** Electrical connection is to be made by trained electrical specialists **only**.

**F** Le branchement doit **uniquement** être effectué par des professionnels.

**I** Il collegamento deve essere eseguito **solo** da elettricisti specializzati.

**E** La conexión **sólo** debe ser realizada por electricistas debidamente formados.

**PT** A ligação deve ser feita **exclusivamente** por profissional elétrico especializado.

**NL** De aansluiting mag **enkel** gebeuren door erkende vakmensen.

**CZ** Připojení smí **provádět** pouze kvalifikovaný personál.

**PL** Podłączenie **wyłącznie** przez specjalistów-elektryków.

**FI** Liittäminen kuuluu **ainoastaan** koulutettujen sähköalan ammattilaisten tehtäviin.

**RUS** Подключение проводится только специалистом-электриком.

**TR** Bağlantı **sadece** eğitimli elektrik teknisyenleri tarafından yapılmalıdır.

**CN** 布线需由专业电工执行

**DANGER EVS** 644 x40 55  
647 x20 55  
647 x40 55

**D** Bei Epilepsie ungeeignet!

**GB** Unsuitable for epilepsy sufferers.

**F** Ne convient pas aux personnes souffrant d'épilepsie.

**I** Inadatto per epilettici.

**E** Inadecuado para epilépticos.

**PT** Não aconselhave a pessoas que sofrem de Epilepsia.

**NL** Niet geschikt voor epileptici.

**CZ** Nevhodné pro epileptiky.

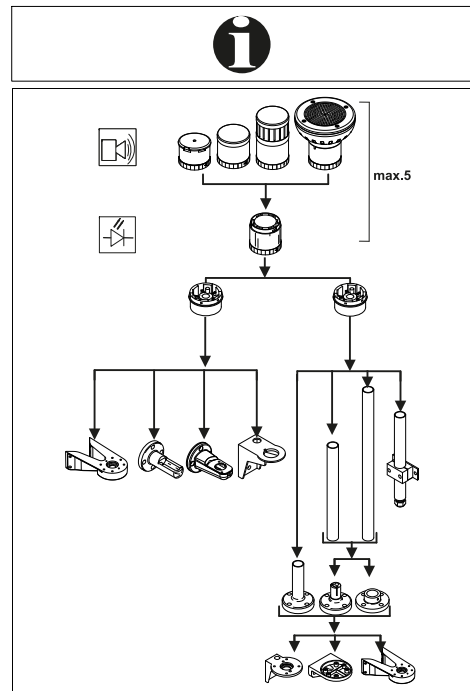
**PL** Nie stosować przy zchorzeniu padaczkzi.

**FI** Ei soveltu epileptikoille.

**RUS** Не подходит для страдающих эпилепсией.

**TR** Epilepsi hastalığı olanların kullanmaması önerilir.

**CN** 不适用于癫痫病患者

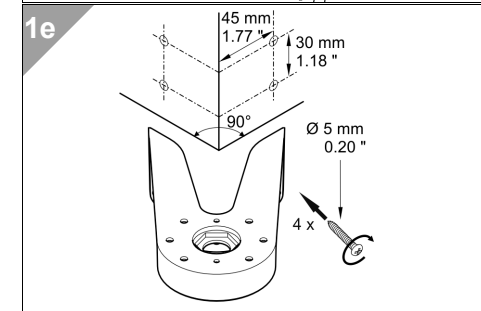
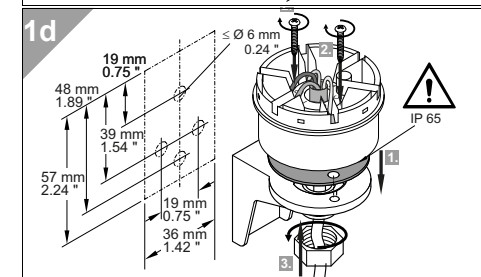
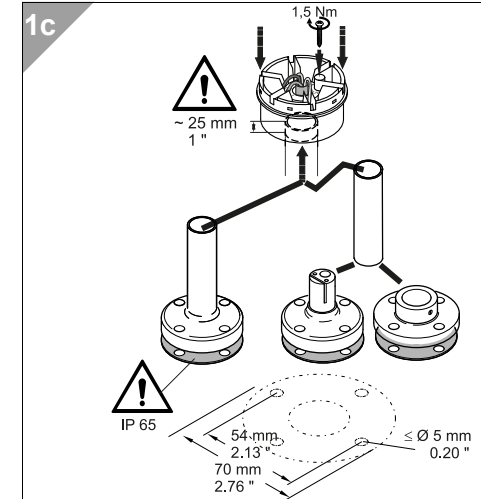
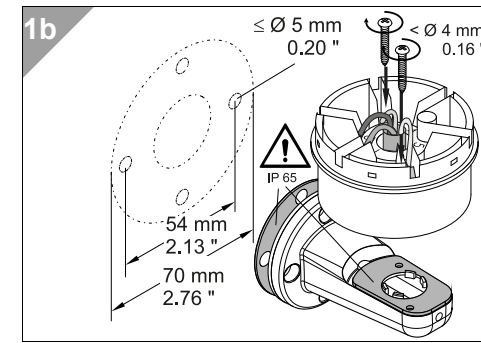
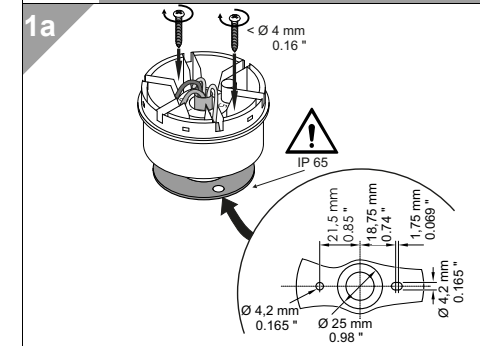


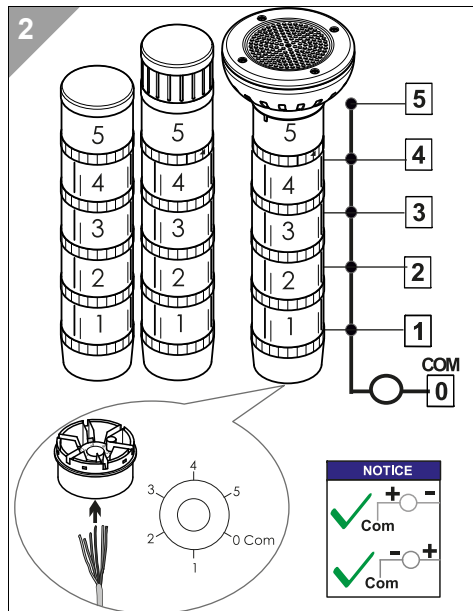
Terminal element	640 xx0 00	12-230 V≈	
	640 812 01	12-230 V≈	
<b>TwinLIGHT</b>	647 x10 75	24 V≈	< 80 mA
	647 x30 75	24 V≈	< 80 mA
<b>TwinFLASH</b>	647 x20 55	24 V=	< 80 mA
	647 x40 55	24 V=	< 80 mA
Multicolour LED	644 450 55	24 V=	< 120 mA
Permanent LED	644 x00 75	24 V≈	< 35 mA
	644 x00 67	115 V~	< 25 mA
	644 x00 68	230 V~	< 35 mA
LED Blinking	644 x10 75	24 V≈	< 30 mA
	644 x10 67	115 V~	< 25 mA
	644 x10 68	230 V~	< 35 mA
LED Flash	644 x20 55	24 V=	< 35 mA
LED Rotating	644 x30 75	24 V≈	< 40 mA
LED Ultrabright	644 x80 55	24 V=	< 190 mA
LED-EVS	644 x40 55	24 V=	< 350 mA
Xenon	643 x00 54	12 V=	195 mA
Flash (2Ws)	643 x00 55	24 V=	125 mA
	643 x00 67	115 V~	22 mA
	643 x00 68	230 V~	15 mA
	643 x10 55	24 V=	< 125 mA
Permanent	641 x00 00	12-230 V≈	
	956 x00 75	24 V≈	< 45 mA
	956 x00 67	115 V~	< 15 mA
BA 15 d	956 x00 68	230 V~	< 15 mA

	955 840 34	12 V	5W
	955 840 35	24 V	5W
	955 840 38	230 V	5W
	955 840 57	115 V	5W
	645 x70 75	24 V≈	< 40mA
	645 102 75	24 V≈	< 40mA
	645 800 75	24 V≈	< 25 mA
	645 800 77	115 V~	< 35 mA
	645 800 68	230 V~	< 35 mA
	645 x90 75	24 V≈	< 30 mA
	645 890 60	115-230 V~	< 45 mA
	645 850 55	24 V=	< 80 mA
	645 810 55	24 V=	< 150 mA
	645 840 55	24 V=	< 400 mA
	645 860 55	24 V=	< 400 mA
	645 830 55	24 V=	< 100 mA
	645 830 55	24 V=	< 100 mA

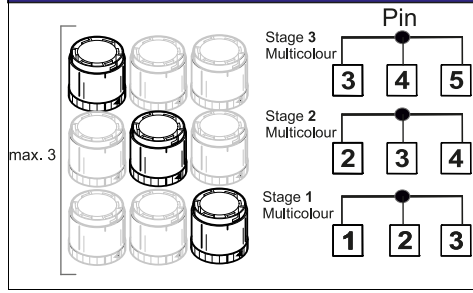
**1**

1a: 640 x00 00, 640 820 00  
1b: 640 x00 00, 640 820 00 + 975 840 85, 960 000 52, 975 840 86  
1c: 640 x10 00, 640 812 01, 640 830 00 + 975 840 10, 960 000 51, 975 840 90, 960 000 50, 975 840 91, ...  
1d: 640 x00 00, 640 820 00 + 960 000 02, 960 000 53, 960 000 01, 960 000 54  
1e: 940 000 41

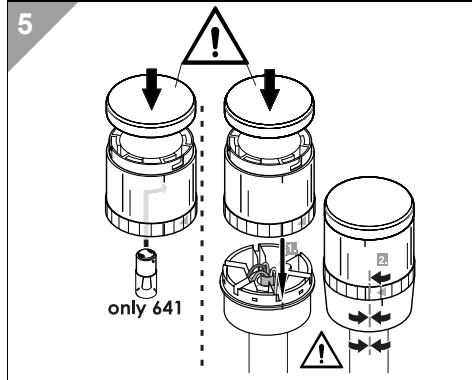
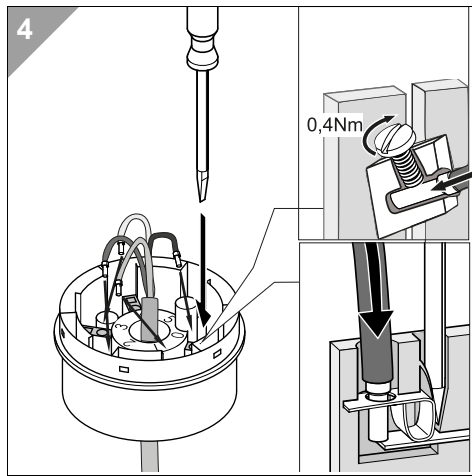
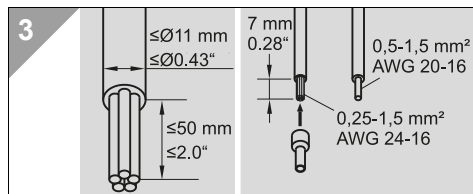




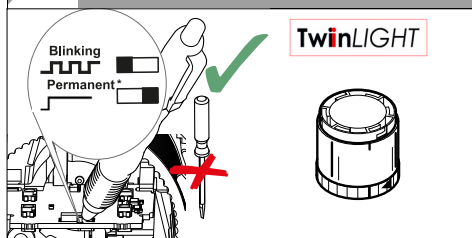
**NOTICE**  
Multicolour 644 450 55



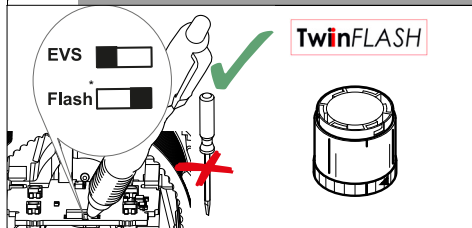
Colour (RD)	24V		
Colour (GN)		24V	
Colour (YE)	24V	24V	
Colour (BU)			24V
Colour (WH)	24V	24V	24V
Colour (TQ)		24V	24V
Colour (VT)	24V		24V



**6a** 647 x10 75  
647 x30 75  
\* = Default setting

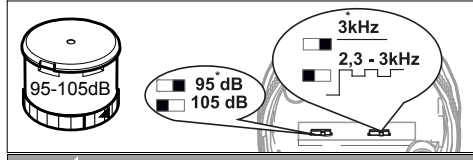


**6b** 647 x20 55  
647 x40 55  
\* = Default setting

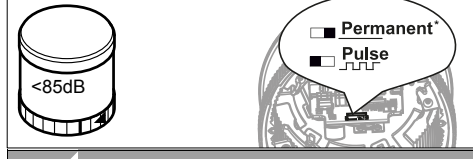


**7** **WARNING**  
max. 85-105dB  
**NOTICE**  
dB = dB A (SPL) 1m

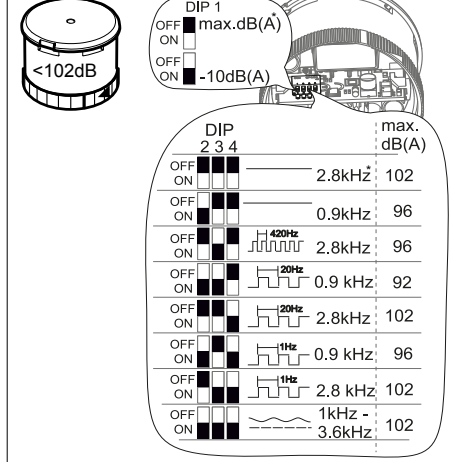
**7a** 645 x70 75  
645 102 75  
\* = Default setting



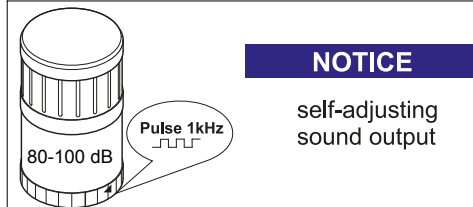
**7b** 645 800 xx  
\* = Default setting



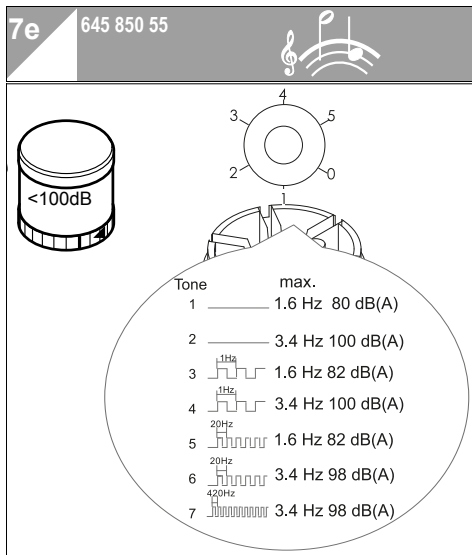
**7c** 645 x90 xx  
\* = Default setting



**7d** 645 810 55



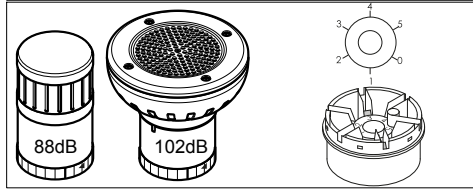
**NOTICE**  
self-adjusting  
sound output



Tone	Pin terminal element				
	1	2	3	4	5
1	+24V	+24V	NC		
2	+24V	+24V	+24V		
3	+24V	NC	NC		
4	+24V	NC	+24V		
5	NC	+24V	NC		
6	NC	+24V	+24V		
7	NC	NC	+24V		
1		+24V	+24V	NC	
2		+24V	+24V	+24V	
3		+24V	NC	NC	
4		+24V	NC	+24V	
5		NC	+24V	NC	
6		NC	+24V	+24V	
7		NC	NC	+24V	
1			+24V	+24V	NC
2			+24V	+24V	+24V
3			+24V	NC	NC
4			+24V	NC	+24V
5			NC	+24V	NC
6			NC	+24V	+24V
7			NC	NC	+24V
1				+24V	+24V
3				+24V	NC
5				NC	+24V
3					+24V

**7f** 645 840 55  
645 860 55

**NOTICE**  
Handbuch auf dem Sprachausgabeelement beachten.  
Notice the manual on the vocal element



Tone	Pin terminal element				
	1	2	3	4	5
1		+24V	NC	NC	NC
2		NC	+24V	NC	NC
3		+24V	+24V	NC	NC
4		NC	NC	+24V	NC
5		+24V	NC	+24V	NC
6		NC	+24V	+24V	NC
7		+24V	+24V	+24V	NC
8	+24V	NC	NC	NC	+24V
9	+24V	NC	NC	NC	+24V
10		NC	+24V	NC	+24V
11		+24V	+24V	NC	+24V
12		NC	NC	+24V	+24V
13		+24V	NC	+24V	+24V
14		NC	+24V	+24V	+24V
15		+24V	+24V	+24V	+24V
1			+24V	NC	NC
2			NC	+24V	NC
3			+24V	+24V	NC
4		+24V	NC	NC	+24V
5		+24V	NC	+24V	
6		NC	+24V	+24V	
7		+24V	+24V	+24V	
1				+24V	NC
2			+24V	NC	+24V
3				+24V	+24V
1				+24V	+24V

931064000101\_AK  
310.640.001  
**WERMA**  
© 2018 www.krea-team.de