

MICRO CONTACTORS K0

Technical Data acc. to IEC/EN60947-4-1, VDE 0660, IEC/EN60947-5-1

Type K0-05D.. K0-05L..

Main Contacts ^{1) 2) 3)}

Rated insulation voltage U_i		V~	440 ⁴⁾	440 ⁴⁾
Making capacity I_{eff}	at $U_e = 440V\sim$	A	65	65
Breaking capacity I_{eff}	400V~	A	50	50
$\cos\phi = 0,65$				

Utilization category AC1 Switching of 3ph resistive load

Rated operational current $I_e (=I_{th})$	open	at 40°C	A	12	9
Rated operational power		230V	kW	4,7	3,5
$\cos\phi = 1$		240V	kW	4,8	3,7
		400V	kW	8,3	6,2
		415V	kW	8,6	6,4
		440V	kW	9,0	6,8
Rated operational current $I_e (=I_{th})$	enclosed	at 60°C	A	12	9
Rated operational power		230V	kW	3,1	2,3
$\cos\phi = 1$		240V	kW	3,3	2,4
		400V	kW	5,5	4,1
		415V	kW	5,7	4,3
		440V	kW	6,0	4,5
Minimum cross-section of conductor at load with $I_e (=I_{th})$			mm ²	1,5	-

Utilization category AC2 and AC3 Switching of three-phase motors

Rated operational current I_e	open and enclosed	220V	A	6,2	6,2
		230V	A	6,2	6,2
		240V	A	5,6	5,6
		380-400V	A	5	5
		415-440V	A	5	5
Rated operational power P_e		220-240V	kW	1,5	1,5
50-60Hz		380-440V	kW	2,2	2,2

Power consumption of coils

AC operated	inrush	VA	9	9
	sealed	VA	4	4
DC operated	inrush	W	2,5	2,5
	sealed	W	2,5	2,5

Operation range of coils

in multiples of control voltage U_c		0,85-1,1	0,85-1,1
---------------------------------------	--	----------	----------

Maximum ambient temperature

Operation	open	°C	-40 to +60 (+90) ⁵⁾
	enclosed	°C	-40 to +40
with thermal overload relay	open	°C	-25 to +60
	enclosed	°C	-25 to +40
Storage			-50 to +90

Short circuit protection for contactors without thermal overload relay

Coordination-type "1" according to IEC 947-4-1	gL (gG)	A	20	20
Contact welding without hazard of persons				
max. fuse size				

Switching time at control voltage $U_s \pm 10\%$ ^{6) 7)}

AC operated	make time	ms	13-18	13-18
	release time	ms	5-10	5-10
	arc duration	ms	10-15	10-15
DC operated	make time	ms	-	-
	release time	ms	-	-
	arc duration	ms	-	-

Cable cross-sections for contactors

main connector	solid or stranded	mm ²	0,5-1,5	solder pins
	flexible	mm ²	0,5-1,5	Ø 1,15
	flexible with multicore cable end	mm ²	0,5-1,5	

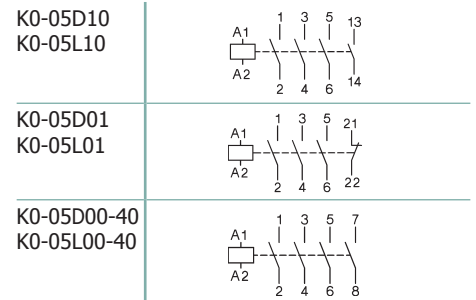
Cable cross-section

Kind of connection		M2,5	-
Screw driver	Pozidriv	Pz1	
Tightening torque	Nm	0,6-0,8	
Clamps per pole		2	-
	solid or stranded	AWG	20-14



Symbol picture

Wiring Diagrams



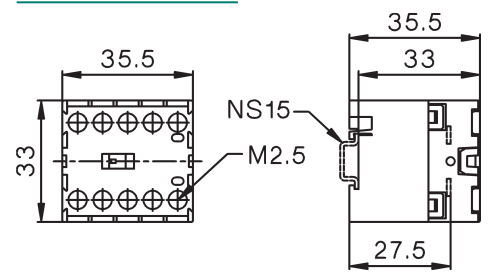
Coil Voltages AC

K0-05... 24	24V 50/60Hz
K0-05... 230	220-230V 50Hz, 230-250V 60Hz

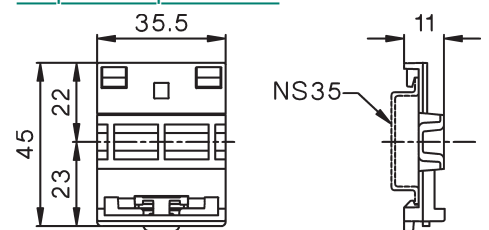
Coil Voltages DC

K0-05... = 24	24V = DC
K0-05... = 42	42V = DC

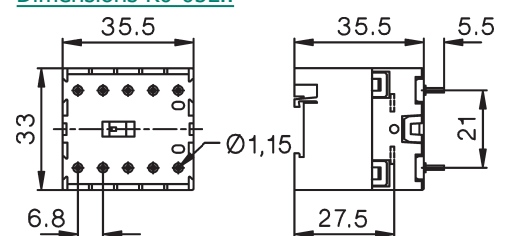
Dimensions K0-05D..



Snap-On Adapter P1039



Dimensions K0-05L..



- 1) Rated frequency 50/60Hz
- 2) Max. occ switching overvoltage < 4kV
- 3) Duty cycle: 100%
- 4) Suitable for: earthed-neutral systems, overvoltage category I to III, pollution degree 3 (standard-industry): $U_{imp} = 4kV$
- 5) With reduced control voltage range 0,9 up to 1,0 x U_s and with reduced rated current $I_e / AC1$ according to $I_e / AC3$.
- 6) Summary switching time = release time + arc duration.
- 7) Release time of NC make time of NO increase when suppressor units for voltage peak protection are used (Varistor, RC-units, Diode units).

Technical data are subject to change without notice

Benedict GmbH
Liebiggasse 7, A-1220 Vienna
Tel.: +43 1 251 51-0
Fax: +43 1 251 51-89

e-mail: sales@benedict.at
www.benedict.at

<u>Auxiliary Contacts</u> ¹⁾					
Rated insulation voltage U _i		V~	440 ²⁾	440 ²⁾	
Thermal rated current I _{th} to 440V					
Ambient temperature	40°C	A	5	5	
	60°C	A	3	3	
<u>Utilization category AC15</u>					
Rated operational current I _e		220-240V	A	3	3
		380-415V	A	1,5	1,5
		440V	A	1	1
<u>Utilization category DC13</u>					
Rated operational current I _e		60V	A	0,5	0,5
<u>Short circuit protection</u> ³⁾ max. fuse size					
short circuit current 1kA, contact welding not accepted		gL (gG)	A	10	10

Technical Data acc. to UL508

Type K0-05D.. K0-05L..

<u>Main Contacts (cULus)</u>					
Rated operational current "General Use"		A	12	9	
Rated operational power of 3ph AC motors at 60Hz (3ph)		110-120V	hp	1/2	1/2
		200-208V	hp	1	1
		220-240V	hp	1	1
		277V	hp	1 1/2	1 1/2
Rated operational power of 1ph AC motors at 60Hz (1ph)		110-120V	hp	1/6	1/6
		200-208V	hp	1 1/2	1 1/2
		220-240V	hp	3/4	3/4
Fuse / Short-circuit current		A/kA	30/5	30/5	
Rated voltage		V~	300	300	
<u>Auxillary Contacts (cULus)</u>					
	heavy pilot duty	AC	B300	B300	
	standard pilot duty	DC	R300	R300	

1) Contactors suitable for electronic circuits, according to EN947-5-4 for rated voltage 24V DC (test ratings 17V DC, 5mA).

Mirror contacts acc. IEC60947-4-1 Annex F.

2) Suitable for: earthed-neutral systems, overvoltage category I to III, pollution degree 3 (standard-industry): Uimp = 4kV

3) For contactors with thermal overload relay the device with the smaller admissible control fuse (contactor or thermal overload relay) determines the fuse size.

Technical data are subject to change without notice