

FLASHING LIGHTS 5/10/15 J

BExBG05 | BExBG10 | BExBG15 ATEX



The flashing light is ideal for almost all mounting requirements: side, ceiling and floor mounting.

- Categories 2G (Zones 1 and 2), 2D (Zones 21 and 22).
- Extremely bright at up to 15 joules flash energy.
- Large connection box for simple mounting.
- Also available with connection box in increased safety version "E".
- Very sturdy, manufactured from seawater-resistant aluminium and stainless steel protection cage.
- BExBG05 can be mounted in all operating positions.

IP 66
IP 67


protection system

+70 °C
-50 °C

Ex-certified

+70 °C
-40 °C

operating temperature

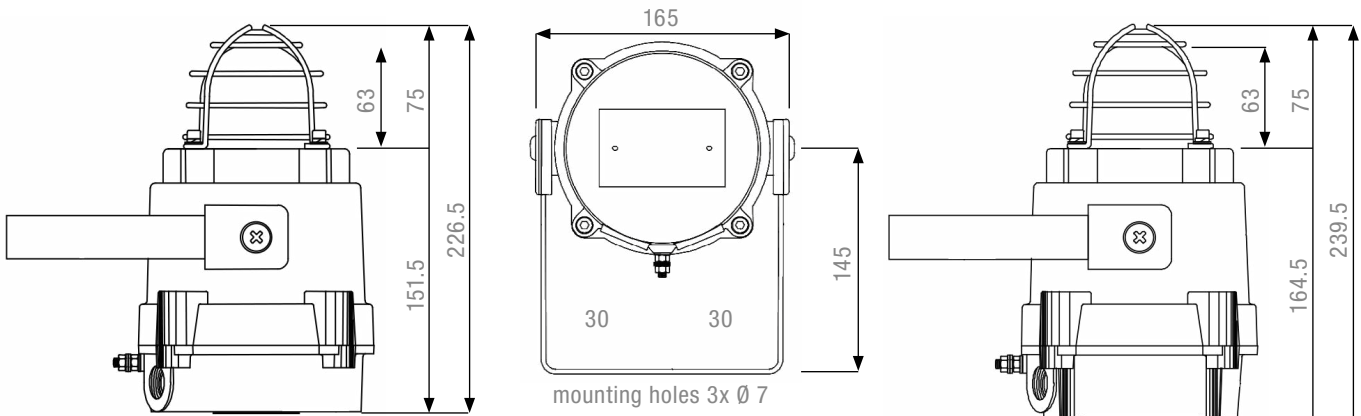
PRODUCT	AC	BExBG05			BExBG10			BExBG15	
DATA									
Rated voltage		230 V	115 V	230 V	115 V	230 V	115 V		
		AC 50 60 Hz							
Operating range		±10 %							
Nominal current consumption		55 mA	140 mA	110 mA	250 mA	170 mA	360 mA		
PRODUCT	DC	BExBG05			BExBG10			BExBG15	
Rated voltage		48 V	24 V	12 V	48 V	24 V	12 V	48 V	24 V
Operating range		±25 %							
Nominal current consumption		180 mA	300 mA	750 mA	340 mA	660 mA	1450 mA	480 mA	860 mA
PRODUCT		BExBG05D BExBG05E			BExBG10D BExBG10E			BExBG15D BExBG15E	
Type of protection		Ex db / Ex db eb / Ex tb							
Explosion protection		see certificate							
Category (area of use)		2G (Zone 1) / 2D (Zone 21) 3G (Zone 2) / 3D (Zone 22)							
Certificate of conformity		KEMA 01 ATEX 2030 X							
Flash energy		5 J			10 J			15 J	
Flash rate		60 flashes/min, stabilised							
Temperature class T		up to T5 / T93°C @ Ta -50°C...+40°C for further details see certificate and installation instructions				up to T4 / T99°C @ Ta -50°C...+40°C for further details see certificate and installation instructions			
Operating temperature		-40 °C ... +70 °C							
Ex-certified ambient temperature		max. -50°C...+70°C (see also temperature classes)							
Storage temperature		-50 °C ... +70 °C							
Relative humidity		90 %							
Duty cycle		100 %							
Service life of the light source		light emission still 70 % after 8,000,000 flashes							
Material	lens	 glass with plastic colour cap							
	housing	die-cast aluminium, resistant to salt water, marine grade LM6, red (RAL 3000)							
	protective cage and bracket	stainless steel							
Type of connection		1 x 4 mm ² or 2 x 2.5 mm ²							
Cable entry ¹		2 x M20, of which one open, optionally PG13.5 or 1/2" NPT							
Weight	BExBG#D	2.45 kg							
	BExBG#E	2.75 kg							

¹ Ex cable gland not included

DIMENSIONS

BExBG#D

BExBG#E

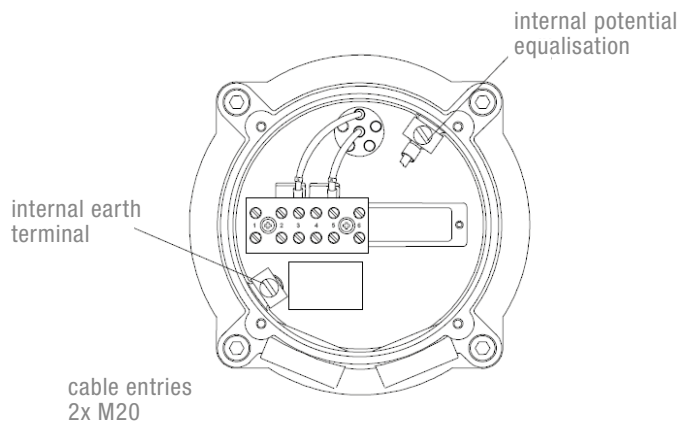


ARTICLE NO.	BExBG05E		BExBG05D	
Lens colour	230 V AC	24 V DC	230 V AC	24 V DC
●	31130103000	31130803000	31131103000	31131803000
●	31130104000	31130804000	31131104000	31131804000
●	31130105000	31130805000	31131105000	31131805000
ARTICLE NO.	BExBG10E		BExBG10D	
Lens colour	230 V AC	24 V DC	230 V AC	24 V DC
●	31120103000	31120803000	31121103000	31121803000
●	31120104000	31120804000	31121104000	31121804000
●	31120105000	31120805000	31121105000	31121805000
ARTICLE NO.	BExBG15E		BExBG15D	
Lens colour	230 V AC	24 V DC	230 V AC	24 V DC
●	31110103000	31110803000	31111103000	31111803000
●	31110104000	31110804000	31111104000	31111804000
●	31110105000	31110805000	31111105000	31111805000

Article numbers for other colours and voltages on request.

CONNECTION DIAGRAM

BExBG#E



BExBG5D

BEXBG10D / BEXBG15D

