

FLASHING LIGHTS 13 J

Quadro F12 | Quadro S



Quadro F12

- Industrial successor to the legendary Eiffel Tower light.
- Design adapted to suit industrial requirements; mounted via concealed interior holes or external lugs; fast, flexible and secure.
- Outstanding mechanical strength with IP 66, IP 67 and IK08.
- Whether in the open air, in a hailstorm or when high pressure cleaning systems are used, the Quadro stays sealed and signals reliably.

Quadro S

- Automatic synchronised flashing light.
- A maximum of 10 flashing lights can be operated parallel and synchronously an unlimited time period; i.e. the flashes of all lights are generated simultaneously.



protection systems



impact-proof housing



operating temperature



warranty



PRODUCT	Quadro F12			Quadro S
---------	------------	--	--	----------

DATA	230 V	115 V	24 V	230 V
Rated voltage	AC 50 60 Hz	AC 50 60 Hz	DC	AC 50 60 Hz
Operating range	195–253 V	95–127 V	18–30 V	195–253 V
Nominal current consumption	250 mA	340 mA	700 mA	250 mA
Initial current limited to	< 7 A / 150 µs	< 7 A / 150 µs	< 5 A / 2 ms	< 1 A / 50 ms

PRODUCT	Quadro F12	Quadro S
---------	------------	----------

Flash energy and flash rate	13 J @ 1 Hz = 60 flashes/min	
Light intensity (DIN 5037) ¹	260 cd	
Max. viewing distance	374 m	
Operating temperature	–40 °C ... +55 °C	
Storage temperature	–40 °C ... +70 °C	
Relative humidity	100 %	
Protection system (EN 60529)	IP 66, IP 67, mounting arbitrary	
Impact resistance (EN 50102)	IK08	
Protection class	II	
Service life of the light source	light emission still 70 % after 12,000,000 flashes	
Material	lens	polycarbonate (PC)
	housing	polycarbonate (PC), RAL 7035
Cable entry	2x M20 bottom side / 2x M20/M32 sideways	2x M20 sideways
Connecting terminal	cage clamp 0.08 - 2.5 mm ²	
Mounting	external lugs	113 x 153 mm – M5 or 127.1 x 127.1 mm – M5
	internal holes	113 x 113 mm
Weight	600 g	

¹ with a clear lens

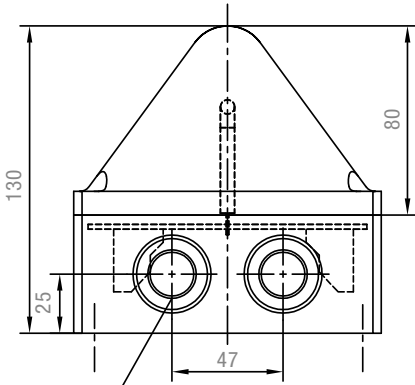
ARTICLE NO.	Quadro F12			Quadro S
LENS COLOUR	230 V AC	115 V AC	24 V DC	230 V AC
	21041101000	21041161000	21041801000	21042101000
	21041103000	21041163000	21041803000	21042103000
	21041104000	21041164000	21041804000	21042104000
	21041105000	21041165000	21041805000	21042105000

Article numbers for other colours and voltages on request.

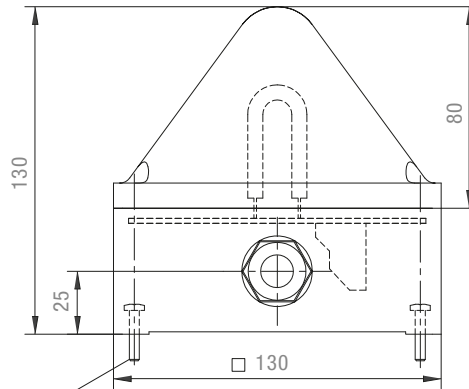
DIMENSIONS

Quadro F12

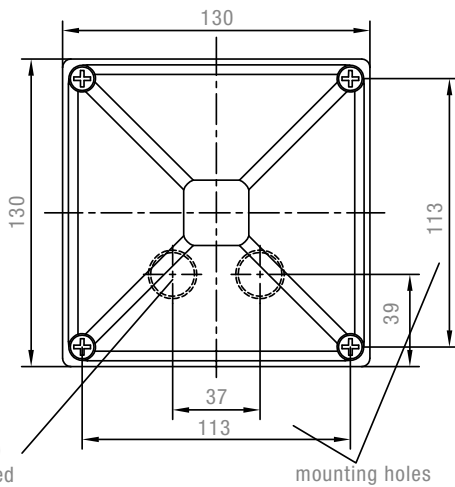
Quadro S



2x M20 (M32 prepared)

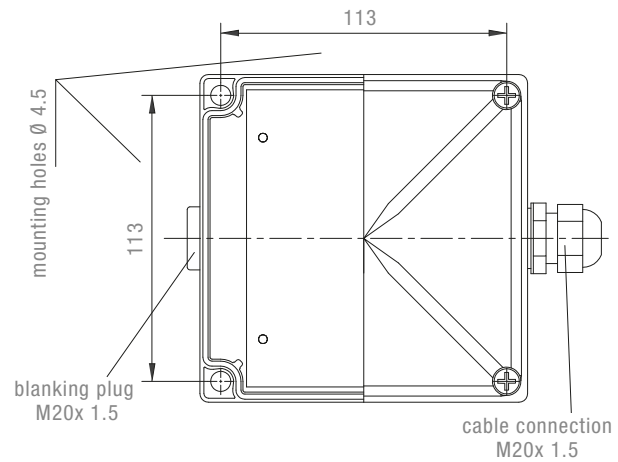


mounting screw
e.g. 4x M4 x 20



2x M20 prepared

mounting holes



blanking plug
M20x 1.5

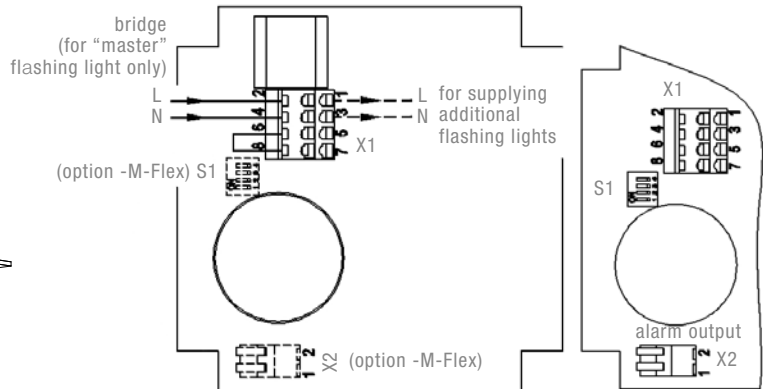
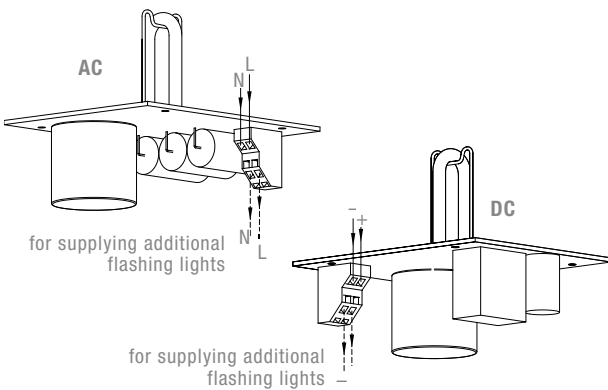
cable connection
M20x 1.5

Additional mounting possible via external lugs (included).

CONNECTION DIAGRAMS

Quadro F12

Quadro S



CONFORMITY TO STANDARDS

The visual characteristics of flashing lights conform to the European standard DIN EN 842; "Machine safety – visual alarm signals". Requirements contained in the DIN EN 981 standard; "Machine safety – system of acoustic and visual alarm and information signals", can be fulfilled. The colours "red" for the emergency signal and "yellow" for the warning signal conform to the requirements of IEC 73 / DIN EN 60073 / VDE 0199; "Coding of display devices and control elements using colours and supplementary means".

References to visual alarm devices can be found in the following standards:

- EN 60825-1 Radiation safety of laser devices, identical to IEC 825 and DIN-VDE 0837
- DIN EN 54 Fire alarm systems
- DIN 54113-2 Radiation protection regulations for the technical operation of X-ray equipment up to 500 kV