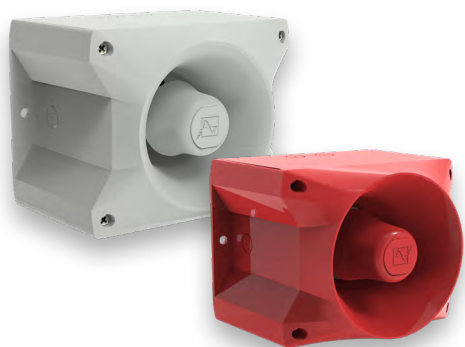


# PATROL SOUNDERS 117/122 dB(A) PA 10 / PA 20



PATROL – the new generation of sounders.  
Three dimensional innovation.

- Safe; an incorrect installation is virtually impossible.
- Easy; significantly shorter assembly and installation times.
- Economical; extremely high efficiency and good penetration of acoustical obstacles significantly reduce the required number of sounders.

protection system	impact-proof housing	operating temperature	acoustic penetration	external tone selection	24-48 V DC	24-48 V DC		warranty	

PRODUCT	PA 10			PA 20		
<b>DATA</b>						
Operating range	95–265 V	20–30 V	10–60 V	95–265 V	20-30 V	10-60 V
	AC 50   60		DC	AC 50   60		DC
Nominal current consumption <sup>1</sup> (max)	140 mA	850 mA	485 mA	330 mA	1600 mA	880 mA
Sound pressure level	17 dB(A)			120 dB(A)   122 dB(A)		
Sound pressure level @DIN-tone	115 dB(A)			118 dB(A)   120 dB(A)		
Sound level reduction	max. –10 dB via potentiometer			max. –9 dB via potentiometer		
Alarm tones	80 thereof 4 tones are externally selectable					
Operating temperature	–40 °C ... +55 °C					
Storage temperature	–40 °C ... +70 °C					
Relative humidity	90 %					
Protection system according to EN 6052	IP 66 (EN 60529), NEMA Type 4 & 4x					
Protection class	II					
Duty cycle	100 %					
Material	PC / ABS blend similar to RAL 3000 (flame red)   RAL 7035 (light grey)   RAL 9003 (signal white)					
Cable entry	6x M20 knock-outs on side, 1 knock-out on back					
Integrated seal with cable entry	7–13 mm (feed-through grommet)					
Connecting terminals	0.14 - 2.5mm <sup>2</sup> fine stranded / AWG24 - AWG 14					
Weight	1,060 g		1,050 g	1,200 g		1,090 g

<sup>1</sup> Power consumption dependent on operating voltage.

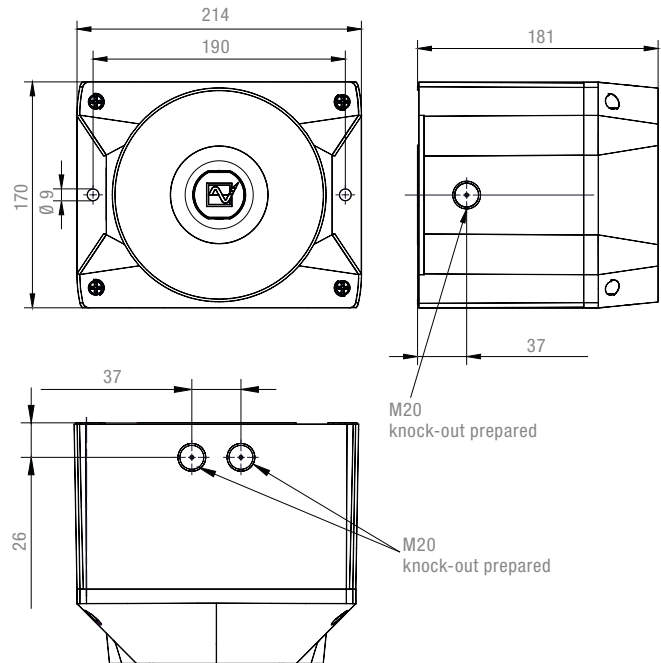
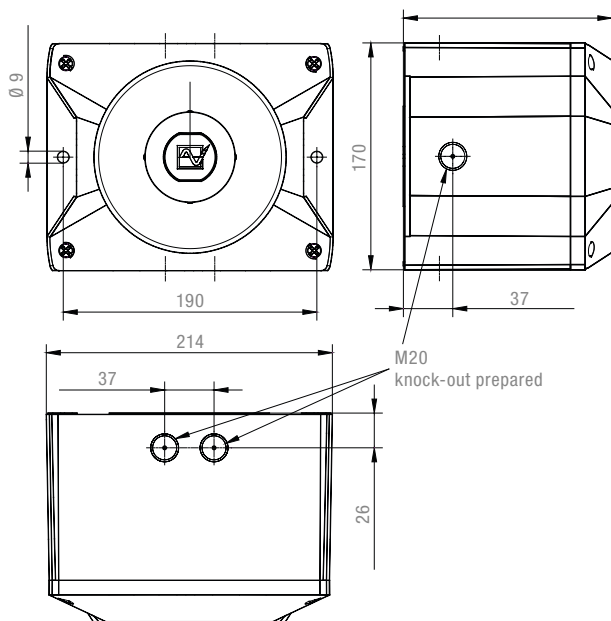
## OPTIONS/ACCESSORIES

			inrush current limitation				

**DIMENSIONS**

**PA 10**

**PA 20**



ARTICLE NO.		PA 10			PA 20		
		95–265 V AC	24 V AC	10–60 V DC	95–265 V AC	24 V AC	10–60 V DC
Standard	housing red	233 60 64 0 000	233 60 30 0 000	233 60 63 0 000	233 70 64 0 000	233 70 30 0 000	233 70 63 0 000
GL/MED	housing red	233 60 64 0 001	233 60 30 0 001	233 60 63 0 001	233 70 64 0 001	233 70 30 0 001	233 70 63 0 001
Standard	housing grey	233 60 64 0 055	233 60 30 0 055	233 60 63 0 055	233 70 64 0 055	233 70 30 0 055	233 70 63 0 055
GL/MED	housing grey	233 60 64 0 056	233 60 30 0 056	233 60 63 0 056	233 70 64 0 056	233 70 30 0 056	233 70 63 0 056

Article numbers for other voltages and versions on request.

ARTICLE NO.		PA 10   PA 20
Enclosure fitting	For connection (daisy-chaining) of several sounders of the PATROL series.	2830000003
Surface gasket	Sealing of the sounder installation surface when, e. g. cable entry is executed from the back.	2830000006
Tamper-proof sealing (pack of 4)	Anti-tamper sealing for fasteners of the PATROL devices after installation in order to prevent manipulation of the devices.	2830000002
Panel mount installation kit PATROL	The PATROL devices are also suitable for panel mounting. This kit consists of a plug connector for the electrical contact, as well as all installation materials.	2830000009

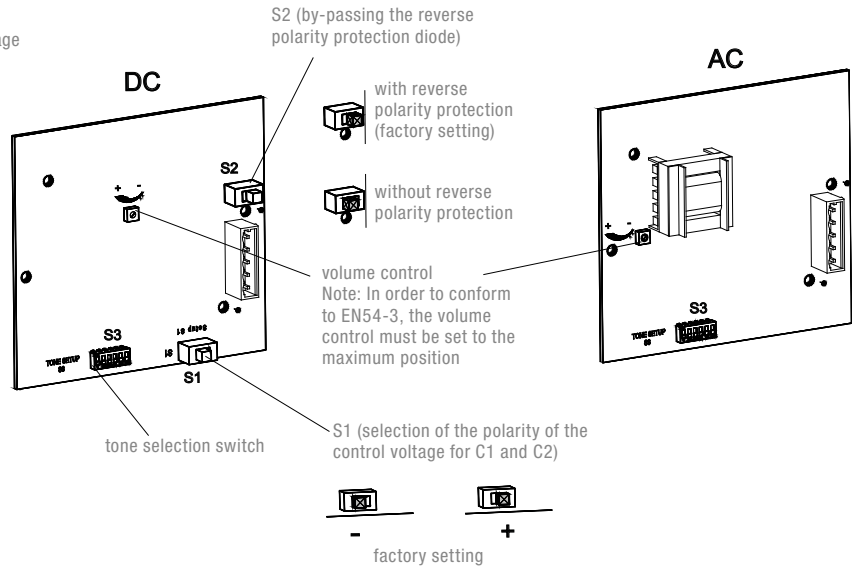
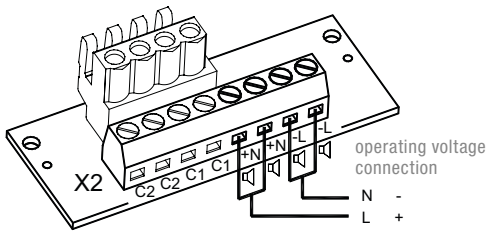
TONE TABLE			
NO.	DESCRIPTION		
1	no tone		
2	Sawtooth, DIN tone 33404-3 Germany (emergency signal), PFEER PTAP	1200 Hz 500 Hz	
9	Slow whoop, fire alarm, UK BS5839-1	970 Hz 800 Hz	
11	Interrupted tone (fast)	970 Hz 800 Hz	
13	Interrupted tone	900 Hz 700 Hz	
15	Slow whoop, evacuation alarm Netherlands NEN 2575	1200 Hz 500 Hz	
16	Slow whoop, evacuation alarm Australia AS2220	1200 Hz 500 Hz	
18	Slow whoop, NFPA	775 Hz 422 Hz	
22	Pulsating tone, Australien alert AS1670, ISO8201	1200 Hz 500 Hz	
23	Siren	2400 Hz 500 Hz	
24	Siren	1200 Hz 300 Hz	
25	Siren	800 Hz 300 Hz	
26	Siren, industrial alarm Germany	1000 Hz 150 Hz	
27	Sweeping	2900 Hz 2400 Hz	
29	Sweeping (fast)	2900 Hz 2400 Hz	
30	Sweeping	2900 Hz 2400 Hz	
31	Sweeping, France NFC48-265	1600 Hz 1400 Hz	
33	Sweeping (medium), UK BS5839-1	1000 Hz 800 Hz	
34	Sweeping (fast)	1000 Hz 800 Hz	
35	Sweeping (fast), UK BS5839-1	1000 Hz 800 Hz	
36	Sweeping	1500 Hz 700 Hz	
43	Sweeping	1200 Hz 500 Hz	
44	Sweeping, IMO 3d, Germany KTA3901 evacuation alarm	1200 Hz 500 Hz	
45	Sweeping	1200 Hz 500 Hz	
46	Sweeping, general alarm Finland	1500 Hz 500 Hz	
52	Continuous tone	2400 Hz	
53	Continuous tone	2000 Hz	
54	Continuous tone, Finland (all-clear signal)	1500 Hz	
55	Continuous tone, PFEER gas alarm	1200 Hz	
56	Continuous tone	1000 Hz	
57	Continuous tone, UK BS5839-1	950 Hz	
59	Continuous tone	880 Hz	
60	Continuous tone	825 Hz	
61	Continuous tone	800 Hz	
63	Continuous tone	725 Hz	
65	Continuous tone, Sweden SS031711 (all-clear signal)	660 Hz	
66	Continuous tone	554 Hz	
67	Continuous tone, Germany KTA3901 (all-clear signal)	500 Hz	
68	Continuous tone	470 Hz	
69	Continuous tone	440 Hz	
71	Continuous tone	340 Hz	
77	Interrupted tone	2200 Hz	
82	Interrupted tone, PFEER (general alarm), UK BS5839-1 (back-up alarm)	1000 Hz	
83	Interrupted tone, PFEER (general alarm)	1000 Hz	
88	Interrupted tone	950 Hz	
90	Interrupted tone	825 Hz	
91	Interrupted tone	800 Hz	
92	Interrupted tone	800 Hz	
93	Interrupted tone (fast), Horn	800 Hz	
97	Interrupted tone	725 Hz	
98	Interrupted tone, Sweden SS031711 (emergency signal)	700 Hz	
100	Interrupted tone, industrial alarm Germany	680 Hz	
101	Interrupted tone, Sweden SS031711 (important message (pre-mess))	660 Hz	
102	Interrupted tone, Sweden SS031711 (local warning)	660 Hz	
103	Interrupted tone, Sweden SS031711 (air raid warning)	660 Hz	
104	Interrupted tone, Sweden SS031711 (emergency signal)	660 Hz	
107	Interrupted tone, Germany KTA3901 (evacuation alarm)	500 Hz	
109	Interrupted tone, Australia AS2220, AS1610, AS1670	420 Hz	
110	Interrupted tone, (fast variable), bell	1450 Hz	
111	Interrupted tone, ISO8201 (emergency evacuation signal), USA (evacuation alarm)	470 Hz	
112	Interrupted tone, ISO8201 (emergency evacuation signal)	950 Hz	
113	Interrupted tone, ISO8201 (emergency evacuation signal), sweeping	2850 Hz	

TONE TABLE			
NO.	DESCRIPTION		
115	Interrupted tone, IMO (telephone call)	950 Hz	
116	Interrupted tone, IMO (leave ship)	950 Hz	
117	Interrupted tone, IMO SOLAS III/50 + SOLAS III/6.4 (general alarm)	825 Hz	
122	Alternating tone	2900 Hz 2400 Hz	
123	Alternating tone	2900 Hz 2400 Hz	
124	Alternating tone, Singapore	2900 Hz 1000 Hz	
125	Alternating tone	1400 Hz 1200 Hz	
128	Alternating tone	1025 Hz 825 Hz	
130	Alternating tone, UK BS5839-1 (fire alarm)	1000 Hz 800 Hz	
131	Alternating tone, UK BS5839-1 (fire alarm, railway crossing)	1000 Hz 800 Hz	
135	Alternating tone, UK BS5839-1 (fire alarm, increased urgency – railway crossing)	1000 Hz 800 Hz	
142	Alternating tone	900 Hz 500 Hz	
143	Alternating tone, industrial alarm Germany	660 Hz 440 Hz	
144	Alternating tone	650 Hz 440 Hz	
146	Alternating tone, France NFS 32-001 (fire alarm)	554 Hz 440 Hz	
147	Alternating tone, Sweden SS031711	554 Hz 440 Hz	
148	Alternating tone, Sweden SS031711	554 Hz 440 Hz	
152	Alternating tone (two tone chime)	800 Hz 650 Hz	

CONTROL OF THE TONES																			
DIP-SWITCH (SETTING OF BASIC TONE)						EXTERNAL TONE SELECTION			DIP-SWITCH (SETTING OF BASIC TONE)						EXTERNAL TONE SELECTION				
1	2	3	4	5	6	BASIC TONE	C1	C2	C1+C2	1	2	3	4	5	6	BASIC TONE	C1	C2	C1+C2
							TONE NO.										TONE NO.		
						1	2	88	57						ON	71	131	52	93
ON						2 *	128	112	57	ON					ON	77	61	52	122
	ON					2	26	100	93		ON				ON	82	131	52	83
ON	ON					2	61	131	112	ON	ON				ON	83	56	2	82
		ON				9	57	11	82			ON			ON	88	2	57	128
ON		ON				15	131	52	112	ON	ON				ON	90	131	52	125
	ON	ON				16	109	52	56		ON	ON			ON	91	30	52	110
ON	ON	ON				18	111	57	68	ON	ON	ON			ON	92	33	52	57
			ON			22	16	109	68				ON		ON	93	2	128	57
ON			ON			23	131	52	112	ON			ON		ON	97	2	63	93
	ON		ON			24	131	52	131		ON		ON		ON	100	131	52	125
ON	ON		ON			25	131	52	92	ON	ON		ON		ON	101	98	102	65
		ON	ON			26	2	100	93			ON	ON		ON	103	131	65	147
ON		ON	ON			27	123	52	92	ON		ON	ON		ON	104	103	65	101
	ON	ON				29	35	52	61		ON	ON	ON		ON	109	16	52	22
ON	ON	ON				30	27	52	77	ON	ON	ON	ON		ON	110	131	61	91
				ON		31	131	52	57					ON	ON	112	2	57	128
ON				ON		33	30	52	35	ON				ON	ON	113	52	123	104
	ON			ON		34	35	52	93		ON			ON	ON	115	117	116	44
ON	ON			ON		35	27	52	110	ON	ON			ON	ON	116	117	93	125
		ON		ON		36	146	67	57			ON		ON	ON	117	93	116	125
ON		ON		ON		43	131	52	91	ON		ON		ON	ON	123	27	52	77
	ON	ON		ON		45	2	57	93		ON	ON		ON	ON	124	53	83	2
ON	ON	ON		ON		52	15	65	82	ON	ON	ON		ON	ON	130	2	107	67
			ON	ON		54	46	54	131				ON	ON	ON	131	2	112	57
ON			ON	ON		55	131	52	128	ON			ON	ON	ON	135	16	56	109
	ON		ON	ON		56	82	35	33		ON		ON	ON	ON	142	2	54	88
ON	ON		ON	ON		59	143	59	101	ON	ON		ON	ON	ON	143	59	93	33
			ON	ON		60	131	52	125			ON	ON	ON	ON	144	110	61	2
ON		ON	ON	ON		65	131	52	93	ON		ON	ON	ON	ON	146	31	67	57
	ON	ON	ON	ON		66	110	52	107		ON	ON	ON	ON	ON	148	131	52	92
ON	ON	ON	ON	ON		69	131	52	110	ON	ON	ON	ON	ON	ON	152	110	61	13

\* factory setting

CONNECTION DIAGRAM



CONFORMITY TO STANDARDS

The acoustic parameters conform to the European standard DIN EN ISO 7731: "Ergonomic – alarms for public areas and workplaces – acoustic alarms".

The requirement for an acoustic alarm signal can be found in the harmonised standards:

- EN 60204-1 Electrical equipment of machines
- EN 60825-1 Radiation safety of laser devices, identical to IEC 825 and DIN-VDE 0837