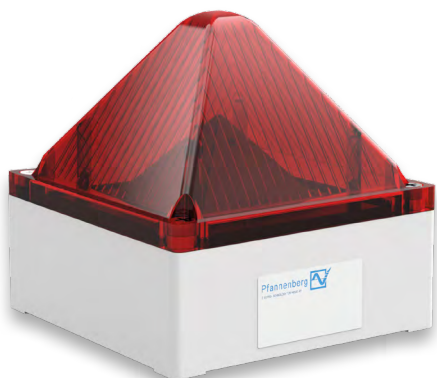


# EX-ATEX LED MULTI-FUNCTION LIGHT

## Quadro-LED-HI 3G/3D



Designed for tough requirements under industrial conditions.

- Suitable for use in potentially explosive areas in Zones 2 and 22.
- Innovative LED light with high signaling effect.
- Suitable for indoor and outdoor use.
- Extremely insensitive to shock and vibration.
- 3 selectable operating modes as standard:
  - Continuous light
  - Blinking light
  - Flashing light
- Inexpensive and flexible; wide range power supplies as standard.
- Double-pole terminal.



protection system



impact-proof housing



operating temperature




brightness adjustable



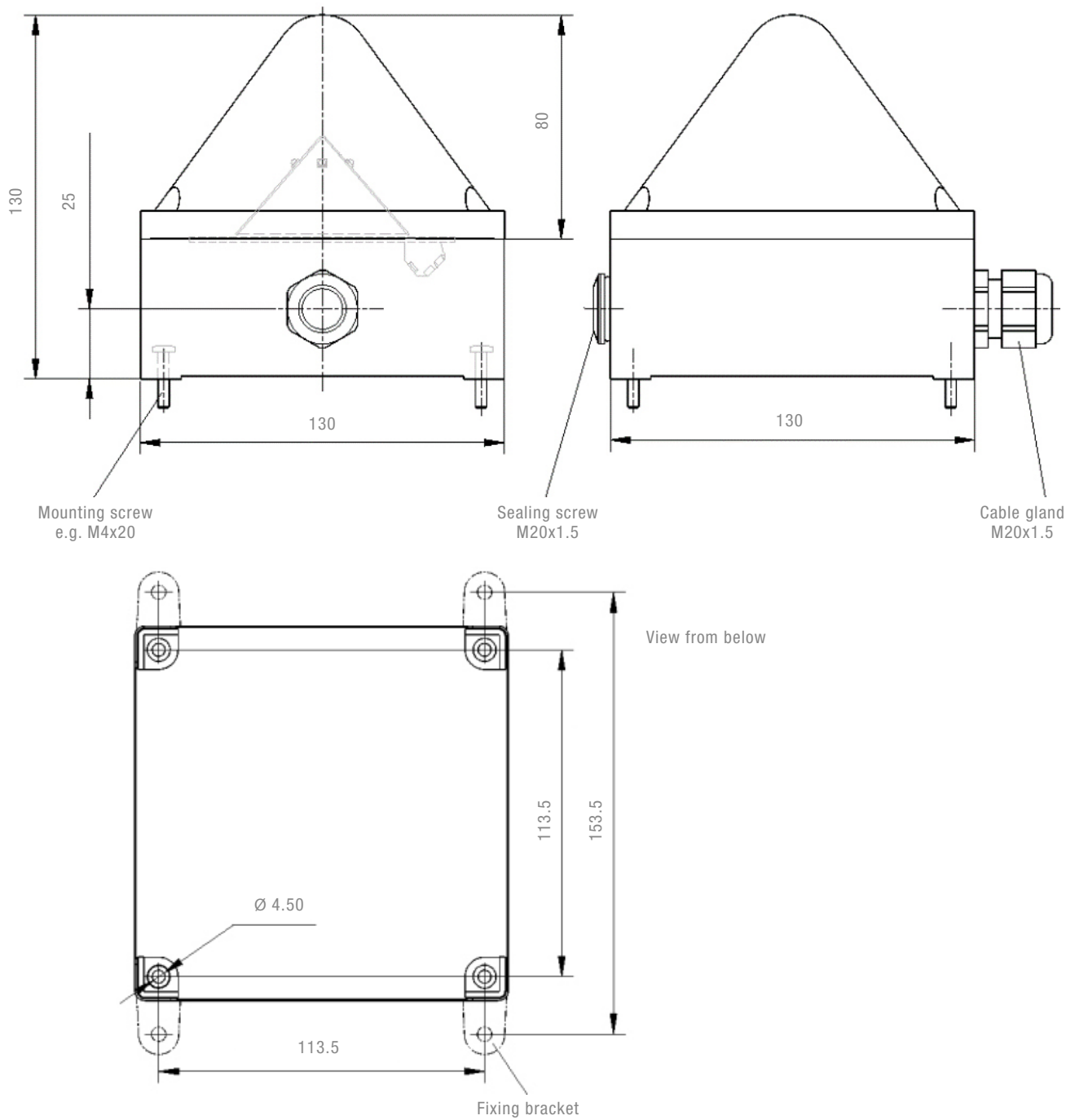
warranty



PRODUCT		Quadro-LED-HI 3G/3D		
<b>DATA</b>				
Rated voltage		115/230 V	12-48 V	
		AC 50   60 Hz / DC	DC	
Operating range	AC	90-253 V	—	
	DC	90-253 V	11-60 V	
Current consumption in continuous light mode (red)		65 mA @ 230 V AC	195 mA @ 24 V DC	
Explosion protection		II3G Ex nRc IIC T6 X -20 °C ≤ Ta ≤ +55 °C II3D Ex tc IIIB T80 °C IP66/67 -20 °C ≤ Ta ≤ +55 °C		
Category (area of use)		3G (Zone 2), 3D (Zone 22)		
Conformity to standards		Directive 2014/34/EU (ATEX)		
Testing body		Pfannenberg		
Special conditions		X: see operating instructions		
Operating mode (internally and externally selectable)		continuous light	blinking light	flashing light
Light alternation frequency			1 Hz / 2 Hz	0.1 Hz / 0.5 Hz / 0.75 Hz / 1 Hz / 2 Hz
Light source		4 High output LED		
Light intensity (DIN 5037) <sup>1</sup>		75 cd, adjustable 15% - 100%		
Max. viewing distance		201 m		
Operating temperature		-20 °C ... +55 °C		
Storage temperature		-40 °C ... +70 °C		
Relative humidity		90%		
Protection system (EN 60529)		IP 66 / 67, mounting arbitrary		
Impact resistance (EN 50102)		IK08		
Protection class		II		
Duty cycle		100 %		
Service life of the light source		>50,000 hrs		
Material	lens	 polycarbonate (PC)		
	housing	polycarbonate (PC), light grey RAL 7035		
Cable entry		2x M20 x 1.5 (1x sealing screw, 1x cable connection)		
Connecting terminal		cage clamp terminal 0.08-2.5 mm2		
Weight		500 g		

<sup>1</sup> with a clear lens

**DIMENSIONS**



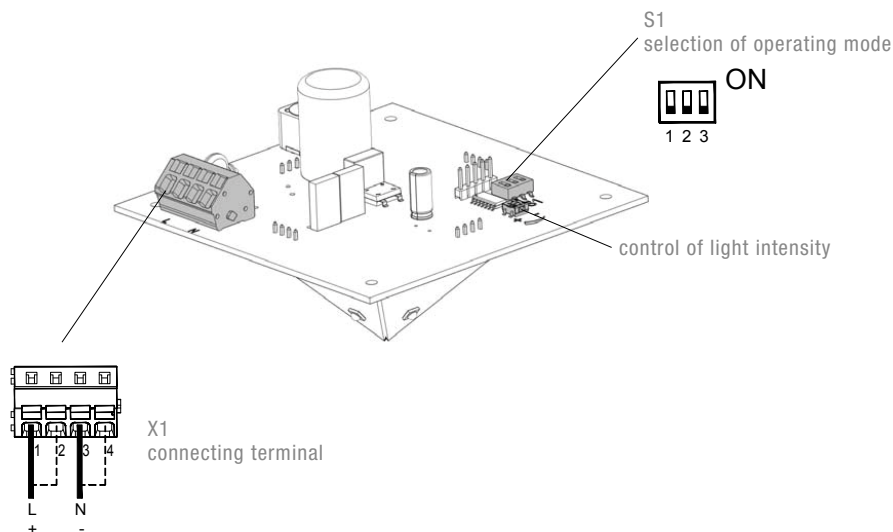
Additional mounting possible via external lugs (included).

ARTICLE NO.	Quadro-LED-HI 3G/3D	
LENS COLOUR	115 - 230 V AC / DC	12 - 48 V DC
●	21108643009	21108633009
●	21108644009	21108634009
●	21108645009	21108635009

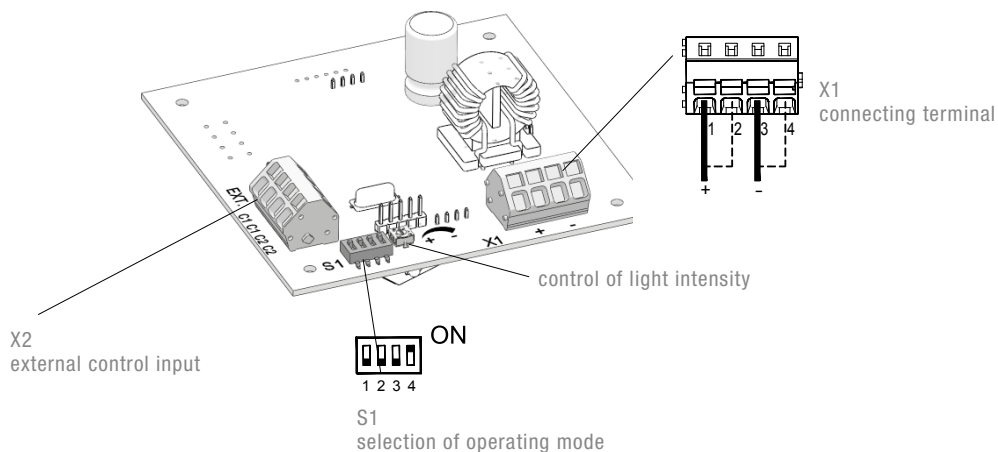
Article numbers for other colours on request.

CONNECTION DIAGRAM

Quadro-LED-HI 3G/3D 115 V - 230 V



Quadro-LED-HI 3G/3D 12 V - 48 V



CONFORMITY TO STANDARDS

We hereby declare that the explosion-protected means of alarm with the type designation **Quadro-LED-HI 3G/3D** has been developed and manufactured in accordance with the requirements as per EN 60079.

**This declaration is based on compliance with the following regulations and standards:**

DIN EN 60079-0	Electrical equipment for areas at risk of gas explosions – Part 0: General requirements
DIN EN 60079-15	Electrical equipment for areas at risk of explosions – Part 15: type of protection type “n”
DIN EN 61241-0	Electrical equipment for use in areas with combustible dust – General requirements
DIN EN 61241-1	Electrical equipment for use in areas with combustible dust – protection by enclosure “tD”
DIN EN 60598-1	Lights – Part 1: General requirements and tests
DIN EN 60947-1	Low-voltage switchgear – Part 1: General specifications
DIN EN 60529	Types of protection by enclosure (IP code)
DIN EN 50102	Types of protection by enclosure for electrical equipment against external mechanical stresses (IK code)
DIN EN 61000-6-2	Electromagnetic compatibility (EMC) – Part 6-2: Generic standards, noise immunity for industrial areas
DIN EN 61000-6-3	Electromagnetic compatibility (EMC) – Part 6-3: Generic standards, interference emission for residential areas, business and commercial areas as well as small companies
DIN EN 981	Machine safety – System of acoustic and visual alarm signals and information signals
ISO 11429	System of acoustic and visual alarm signals and information signals
UVV-BGV A3(VBG4)	Electrical plants and equipment
GSGV	German Appliance Safety Act

The Quadro-LED-HI 3G/3D multifunction lights are approved for use in potentially explosive areas in Zones 2 and 22 as per 2014/34/EU(ATEX).