



- Bar height: 30 mm
- Load capacity: 100 kg/m
- Galvanized steel
- Suitable for flat and round cables



FESTOON SYSTEM 30 EX

EXPLOSION PROOF EQUIPMENT





TROLLEY ENERGY TRANSMISSION SYSTEM

Dimensions in mm / illustrations NOT in scale

	30607001 C-rail bar (4 m)	p.3
	30607002 Joint unit	p.3
	30607001/050F 30607001/080F Bracket	p.4
	30607012 Support clip	p.4
	30607003 Wall fixing bracket	p.5
	30607017 Ceiling fixing bracket	p.5
	30607004 Beam fixing bracket	p.6
	30607015 End cap	p.6
	30607016 Cable clip for round cable	p.7
	30607005EX Line end stop	p.7
	30607007EX Towing trolley for flat cable	p.8

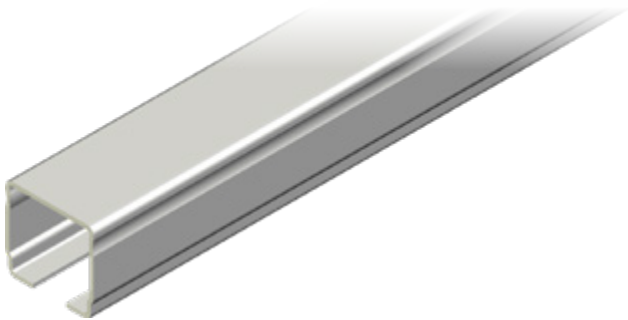
	30607011EX Trolley for flat cable (saddle: 55 mm, excursion: 10 mm)	p.8
	30607010EX Trolley for flat cable (saddle: 68 mm, excursion: 30 mm)	p.9
	30607023EX Swinging towing trolley for round cable (Ø 26...40 mm)	p.9
	30607021EX Swinging trolley for round cable (Ø 10...25 mm)	p.10
	30607025EX Additional saddle for swinging trolley for round cable (Ø 10...25 mm)	p.10
	30607022EX Swinging trolley for round cable (Ø 26...40 mm)	p.11
	30607026EX Additional saddle for swinging trolley for round cable (Ø 26...40 mm)	p.11
	30607020EX Head clamp (saddle: 55 mm, excursion: 30 mm)	p.12
	30607006EX Head clamp (saddle: 76 mm, excursion: 30 mm)	p.12
	30607029EX Trolley without plug / socket (saddle: 68 mm, excursion: 30 mm)	p.13

EQUIPMENT CLASSIFICATION IN ACCORDANCE WITH UTILIZATION ZONES

ATEX	2014/34/EU European Directive	
	  II 2G Ex h IIB T5 Gb	All the models of the series are verified to be in compliance with the follows: apparatus Category 2 G, suitable for installation hazardous areas: Zone 1 and 2 (gas) according to EN/IEC 60079-10-1.
	  II 2D Ex h IIIC T85°C Db	All the models of the series are verified to be in compliance with the follows: apparatus Category 2 D, suitable for installation hazardous areas: Zone 21 and 22 (dust) according to EN/IEC 60079-10-2.
IECEX	EN ISO 80079-36	
	Ex h IIB T5 Gb Gas	
	Ex h IIIC T85°C Db Dust	
EAC Ex	TR TS 012/2011 GOST 31441.1 (EN 13463-1) GOST 31441.5 (EN 13463-5)	TP TC 012/2011 ГОСТ 31441.1 (EN 13463-1) ГОСТ 31441.5 (EN 13463-5)
	See IECEX scheme reference	

C-RAIL BAR

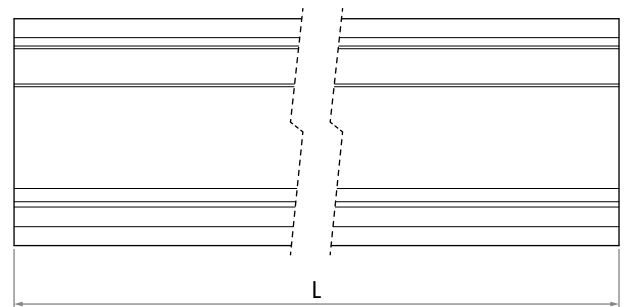
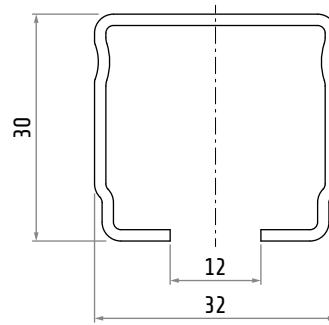
30607001



Material		galvanized steel
Standard length	L	4 m
Thickness		1.5 mm
Weight		~1.18 kg/m (~4.8 kg)

Standard 90° curves

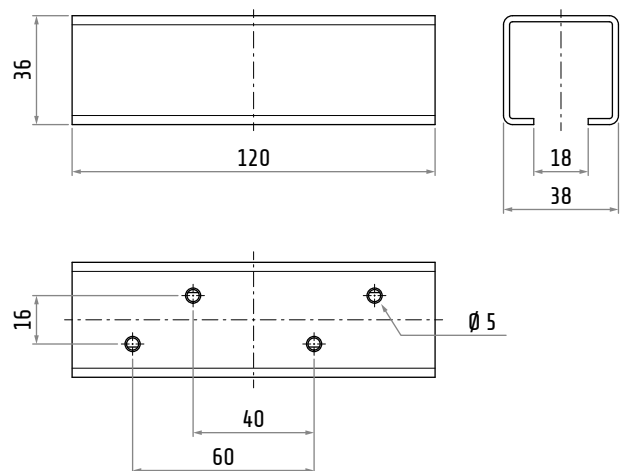
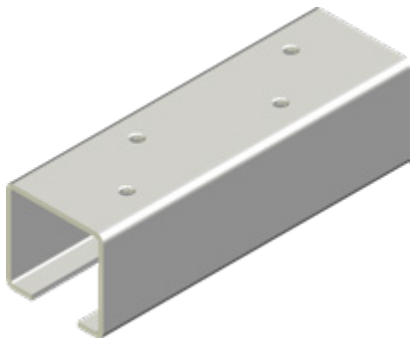
	30607031	30607030
Radius	1200 mm	1500 mm
Weight	~2.25 kg	~2.78 kg



Custom curved bars available on request
(minimum radius 1200 mm)

JOINT UNIT

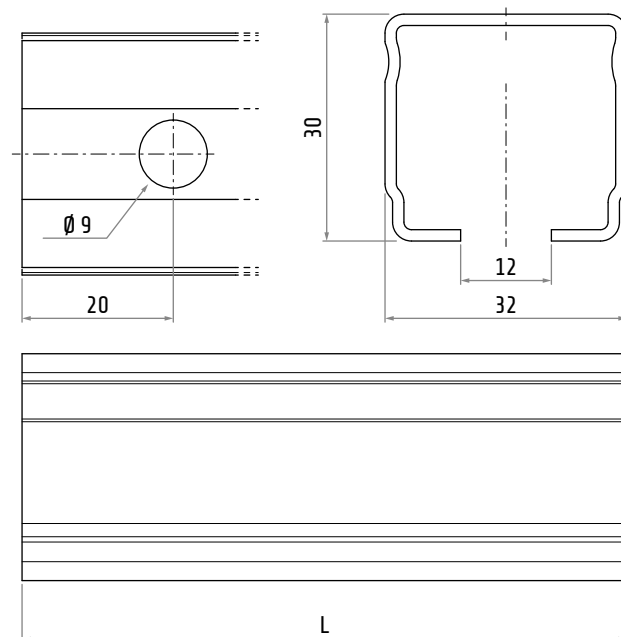
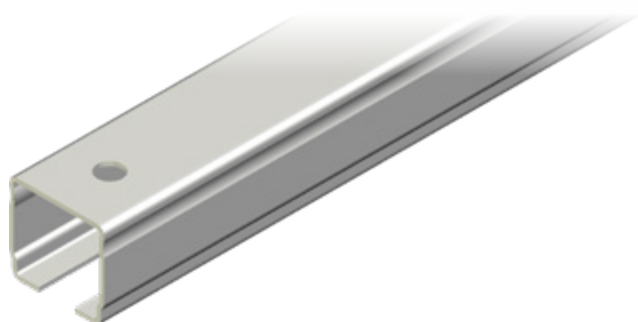
30607002



Material		galvanized steel
Thickness		2 mm
Weight		~220 g

BRACKET

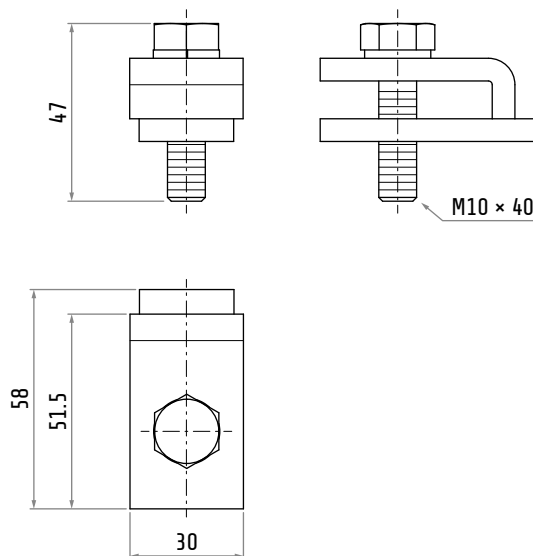
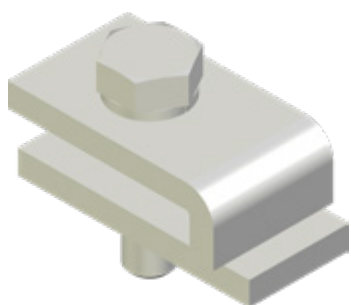
30607001/050F - 30607001/080F



	30607001/050F	30607001/080F
Material	galvanized steel	galvanized steel
Length L	500 mm	800 mm
Thickness	1.5 mm	1.5 mm
Weight	~590 g	~950 g

SUPPORT CLIP

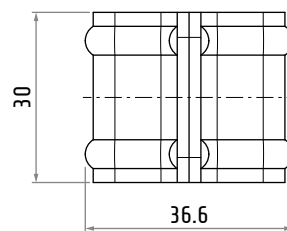
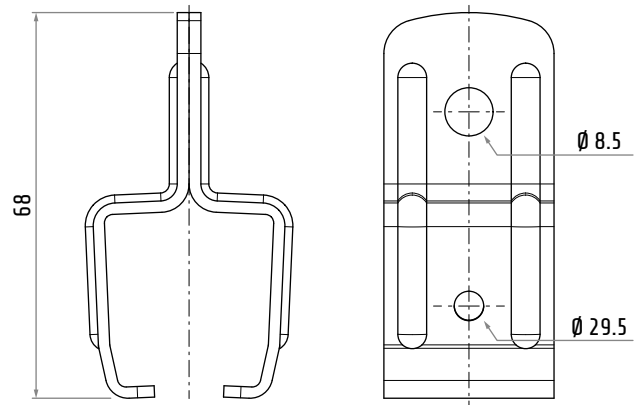
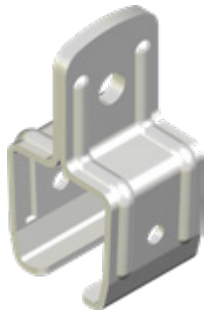
30607012



Material	galvanized steel
Weight	~185 g

WALL FIXING BRACKET

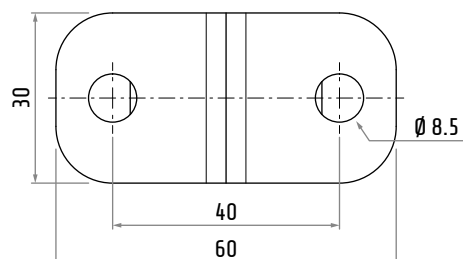
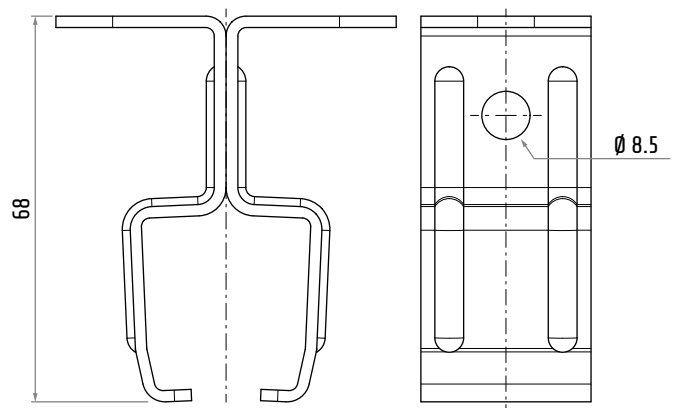
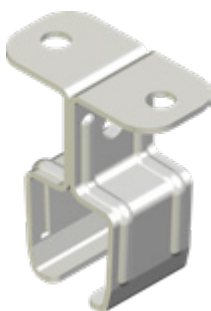
30607003



Material	galvanized steel
Weight	~75 g

CEILING FIXING BRACKET

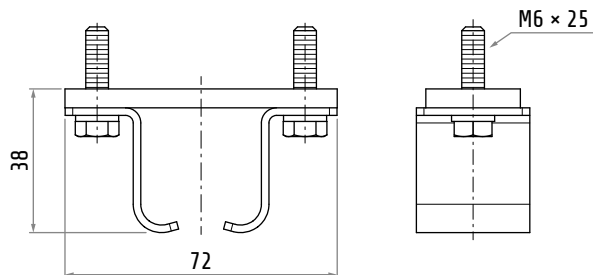
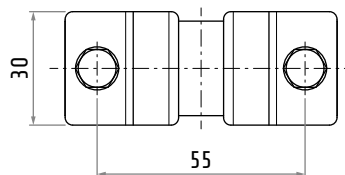
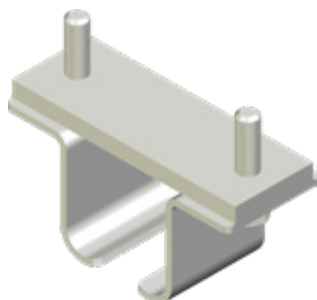
30607017



Material	galvanized steel
Weight	~100 g

BEAM FIXING BRACKET

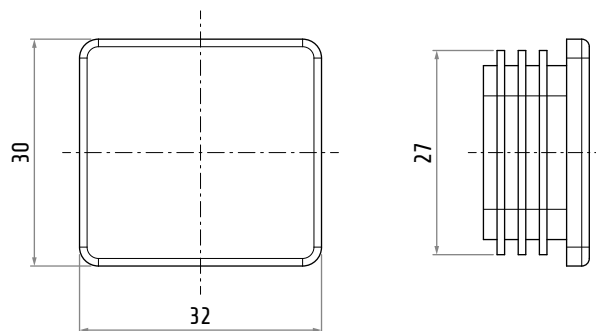
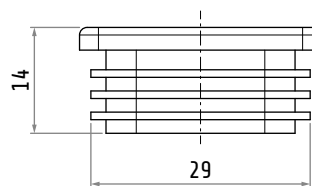
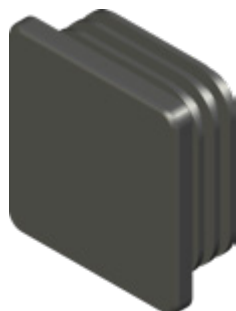
30607004



Material	galvanized steel
Weight	~140 g

END CAP

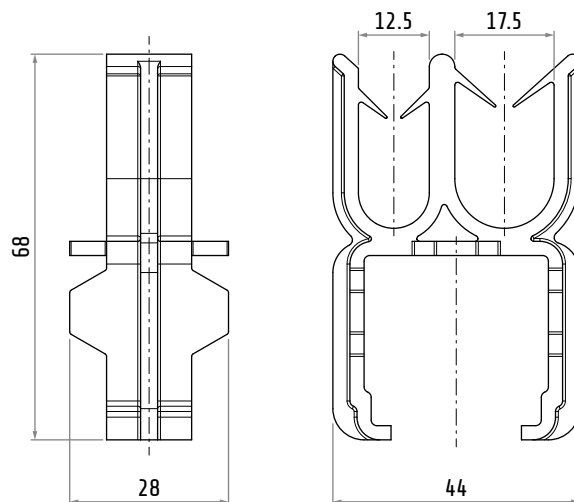
30607015



Material	nylon
Weight	~6 g

CABLE CLIP FOR ROUND CABLE

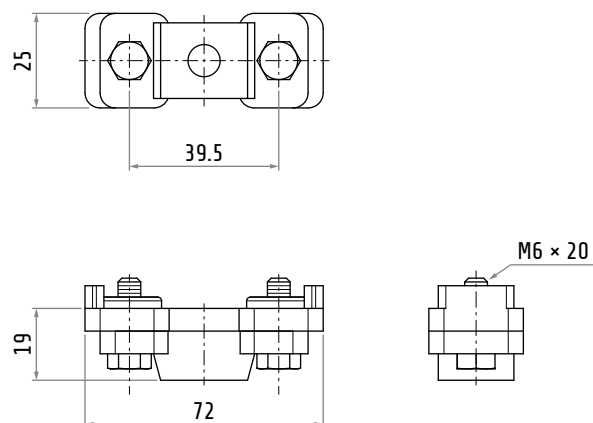
30607016



Material	nylon
Weight	~10 g
Cables	Ø 12 ... 18 mm

LINE END STOP

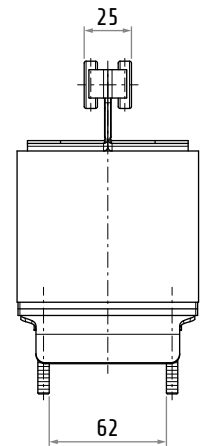
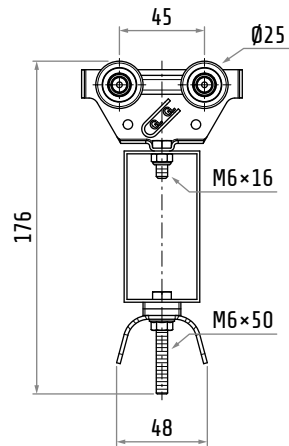
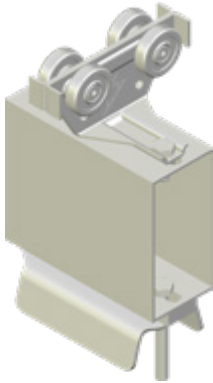
30607005EX



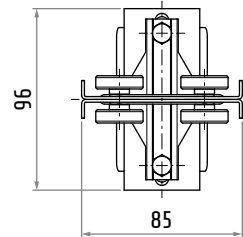
Material	body hardware	thermoplastic galvanized steel
Weight		~35 g

TOWING TROLLEY FOR FLAT CABLE

30607007EX

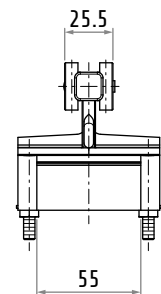
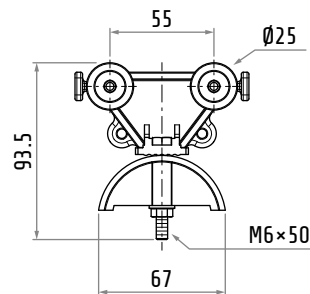


Material	body hardware rollers	galvanized steel galvanized steel covered ball bearings
Weight		~610 g
Saddle		68 mm
Excursion		30 mm

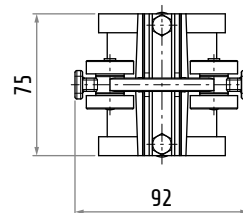


TROLLEY FOR FLAT CABLE (SADDLE: 55 mm)

30607011EX

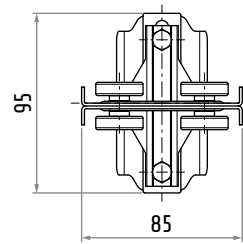
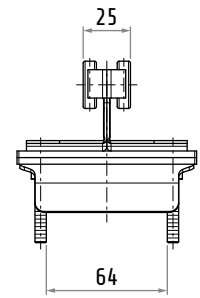
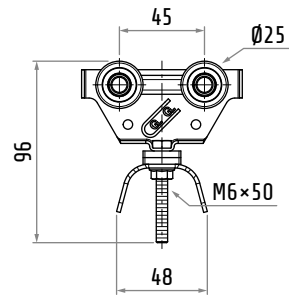
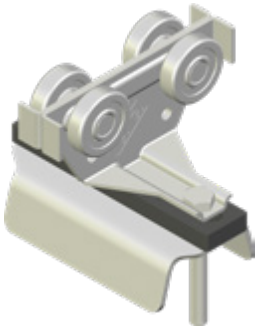


Material	body hardware rollers	thermoplastic galvanized steel covered ball bearings
Weight		~115 g



TROLLEY FOR FLAT CABLE

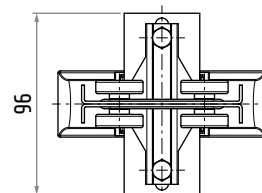
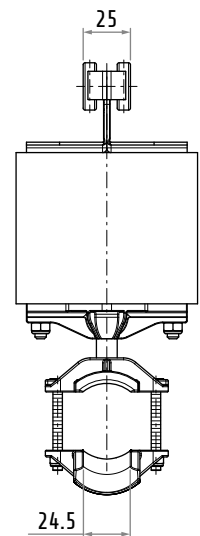
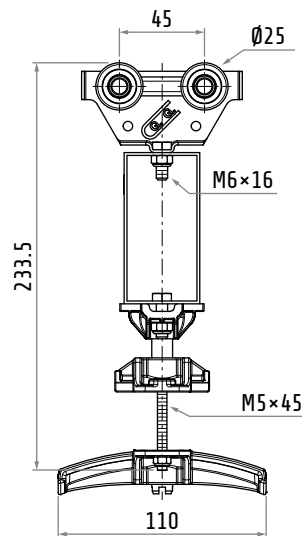
30607010EX



Material	body hardware rollers separator	galvanized steel galvanized steel covered ball bearings thermoplastic
Weight		~310 g
Saddle		68 mm
Excursion		30 mm

SWINGING TOWING TROLLEY FOR ROUND CABLE

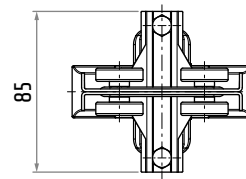
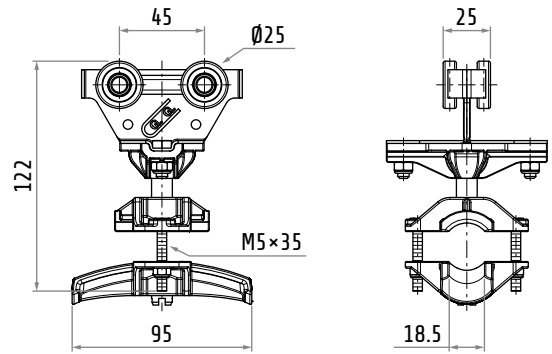
30607023EX



Material	body hardware rollers cable support	galvanized steel galvanized steel covered ball bearings thermoplastic
Weight		~610 g
Cable		Ø 26...40 mm

SWINGING TROLLEY FOR ROUND CABLE

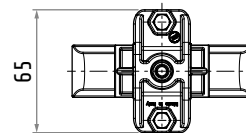
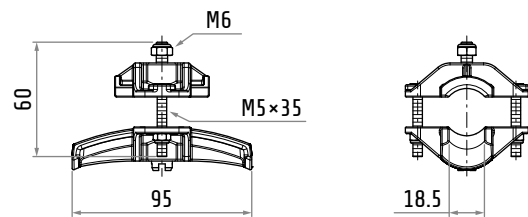
30607021EX



Material	body	galvanized steel
	hardware	galvanized steel
	rollers	covered ball bearings
	cable support	thermoplastic
Weight	~300 g	
Cable	Ø 10...25 mm	

ADDITIONAL SADDLE FOR SWINGING TROLLEY FOR ROUND CABLE

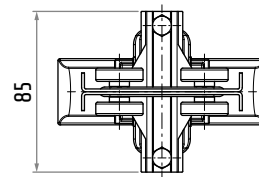
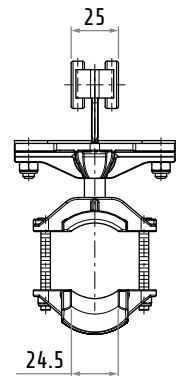
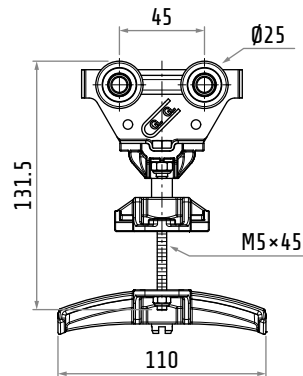
30607025EX



Material	body	thermoplastic
	hardware	galvanized steel
Weight	~80 g	
Cable	Ø 10...25 mm	

SWINGING TROLLEY FOR ROUND CABLE

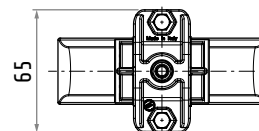
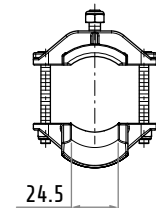
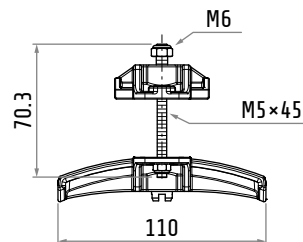
30607022EX



Material	body	galvanized steel
	hardware	galvanized steel
	rollers	covered ball bearings
	cable support	thermoplastic
Weight	~310 g	
Cable	Ø 26...40 mm	

ADDITIONAL SADDLE FOR SWINGING TROLLEY FOR ROUND CABLE

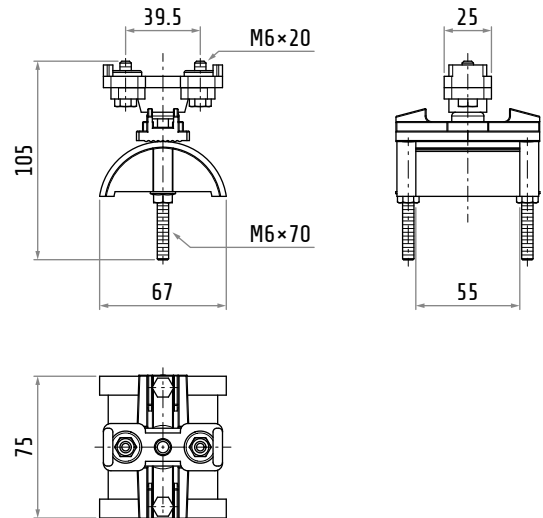
30607026EX



Material	body	thermoplastic
	hardware	galvanized steel
Weight	~80 g	
Cable	Ø 26...40 mm	

HEAD CLAMP

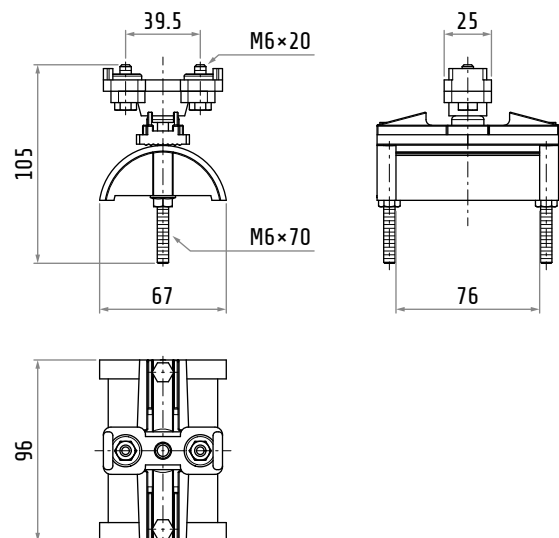
30607020EX



Material	body hardware	thermoplastic galvanized steel
Weight		~145 g
Saddle		55 mm
Excursion		30 mm

HEAD CLAMP

30607006EX



Material	body hardware	thermoplastic galvanized steel
Weight		~170 g
Saddle		76 mm
Excursion		30 mm

TROLLEY WITHOUT PLUG / SOCKET

30607029EX



Material	body hardware rollers separator	galvanized steel galvanized steel covered ball bearings thermoplastic
Weight		~1.47 kg
Saddle		68 mm
Excursion		30 mm

