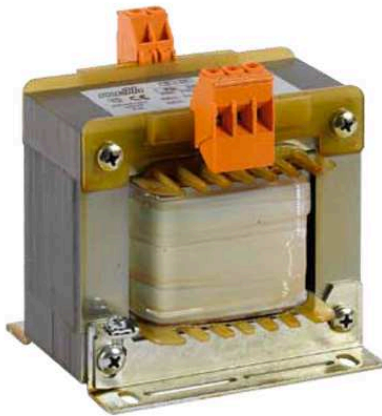
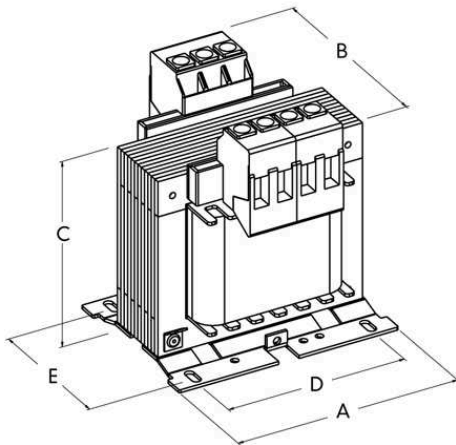


Low-voltage single-phase isolating and safety transformers – class F
T1B



T1B



General data

2 INPUT VOLTAGE/1 OUTPUT VOLTAGE - OUTPUT IN TWO SIDES

Rated input voltage 230-400 V or others upon request

Rated output voltage 24 V/115 V or others upon request

Rated power 30-2000 VA

Insulation class class F

Temperature class class F

Ambient temperature $T_a=40^\circ\text{C}$

Protection degree IP 00

Test voltage 4,2 KV/1'

Terminals terminal blocks

Applications

Single-phase control, isolating and safety transformers designed combining **reliable performance and cost-effectiveness**. They are completely impregnated with resin and have faston or screw earth connection, 4 sqmm terminal blocks, input and output in two sides. Construction in accordance with the below standards:

Standards

CEI-EN 61558,2-4 – isolating transformers

CEI-EN 61558,2-6 – safety transformers

IEC 61558,2-4 and 2-6

Technical data T1B

CODE	RATED POWER VA	DIMENSIONS (mm)					WEIGHT Kg	LOSSES (W)		EFFICIENCY %	U _{cc} %	ΔV %	INRUSH CURRENT x I _n
		A	B	C	D	E		no-load	load				
T1B-30...	30	67	77	79	50	56	1	2	3,7	84,5	10,5	11	28
T1B-50...	50	76	72	89	56	45	1,1	2,5	8	83,2	13,4	13,7	27
T1B-75...	75	76	88	89	56	60	1,3	3	10,5	85	11,7	12	26
T1B-100...	100	85	89	98	64	60	1,8	4	11	87,1	9,8	10	25
T1B-150...	150	96	88	108	84	66	2,3	5	17	87,6	9,9	10	26
T1B-200...	200	108	88	115	84	88	3,1	6	21	88,4	9,4	9,5	21
T1B-250...	250	108	98	115	84	98	3,7	8	22	89,4	8,2	8,1	24
T1B-300...	300	121	95	123	90	70	4,1	7	27,5	89,8	8,3	8,4	21
T1B-400...	400	121	110	123	90	85	4,9	9,5	34,5	90,2	7,9	7,9	22
T1B-500...	500	121	125	123	90	100	6,2	11	34	91,7	6,4	6,4	23
T1B-600...	600	151	117	140	122	90	7,3	12	39	92,1	6,3	6,2	22
T1B-800...	800	151	137	140	122	110	9,3	17	41	93,3	4,9	4,8	25
T1B-1000...	1000	151	147	140	122	120	11,4	19	47	93,8	4,6	4,5	25
T1B-1500...	1500	192	125	176	160	96	14	25	80	93,5	5	5,2	24
T1B-2000...	2000	192	151	176	160	122	19	35	91	94,1	4,4	4,3	25

Electrical data