



ALFAA5



TIP

If possible it is better to use the units with the air flow from the outside to the enclosure inside. The slight pressurization of the panel prevents dust from getting through any openings.



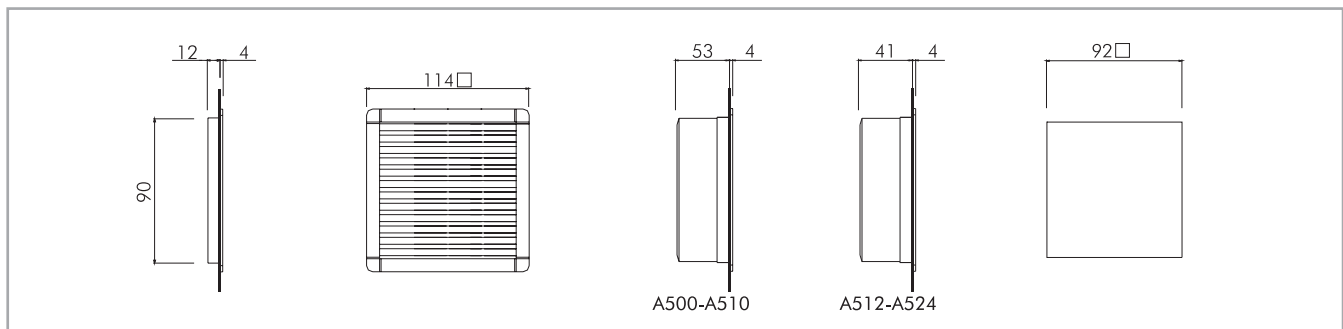
Features	Unit	ALFAA000BPB	ALFAA500BPB	ALFAA510BPB	ALFAA512BPB	ALFAA524BPB
Air flow rate (free blow)	m ³ /h	-	24(28)		24	
Flow rate with exit filter	m ³ /h	-	14(17)		14	
Power supply	V/Hz	-	230/50-60	115/50-60	12DC	24DC
Dimensions HxWxD	mm	114x114x16	114x114x57		114x114x45	
Power consumption	W	-	13(12)		3	4
Current consumption	A	-	0.10(0.08)	0.14(0.12)	0.25	0.16
Overcurrent protection	-	-	impedance			
Electric connection	-	-	faston 2.8x0.5 mm		2-pole terminal 1.5 mm ²	
Duty cycle	-	-	100%			
Operating temperature	°C (°F)	-	-10/+70 (+14/+158)			
Protection degree/class	-	IP54	IP54/Class I			
Noise level	dB(A)	-	30(35)		35	
Flow direction	-	-	outside-in			
Bearing	-	-	ball			
Filter mat EN779	-	-	G2			
Service life (at 40°C)	hr	-	50 000			
Material	-	-	ABS UL94V-0 Color RAL7035			
Wall thickness	mm	-	1.2-2.4			
Gasket	-	-	self-adhesive			
Weight (with packaging)	kg	0.06(0.10)	0.38(0.43)	0.18(0.23)		
Package dimensions	mm	120x120x20	120x120x60			
Mounting	-	-	Fast Clip-on			
Conformity/Certifications	-	-	CE			

Versions

UL File n. E301228	ALFAA000BPUB	ALFAA500BPUB	ALFAA510BPUB	ALFAA512BPUB	ALFAA524BPUB
RAL7032 - Gray - Code ending	delete B				
RAL9005 - Black - Code ending	delete B, add N (available on request)				
EMC - Code ending	M				
Reverse flow - Code ending	-	-	-	PR	-
Connection with terminals	-	-	K	-	-

Accessories

Filter mat, standard type	ALFAFBPA0				
Filter mat, high efficiency	ALFAFBPAOX				
Thermostat 0-60°C, NO contact	-	-	THV2	-	-
Power cord 1m	-	SPINOTTOA2-10	-	-	-
Fan speed controller	-	FSC	-	-	-
Hood for IP55	CUFF10B				



Specifications, values and drawings are subject to change without notice.