

STAINLESS STEEL VENT PLUG

DA 284S



Photos: DA284S, M40

- > High degree of protection (IP66)
- > Waterproof membrane
- > Corrosion resistant
- > Easy to install
- > Two sizes - M40 & M12

Pressure differentials in a hermetically sealed enclosure are a result of the heat generated by electrical and electronic components in the enclosure, as well as the fluctuation of the outside temperature. In the case of negative pressure or vacuum, for example, dust and humidity can enter the enclosure through the door seal.

The DA 284S Stainless Steel Vent Plug provides a protected enclosure environment for valuable and crucial components with an IP66 rated degree of protection. A waterproof membrane inside the device allows air and humidity to leave the enclosure while not allowing moisture and dust from the outside to enter.

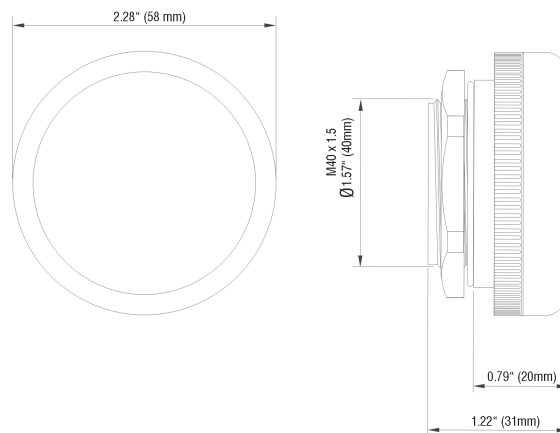


TECHNICAL DATA

Mounting	thread with nut
Torque	5 Nm (max. 10 Nm)
Material	stainless steel V2A (DIN 1.4305 / AISI 303)
Sealing	NBR gasket
Filter	waterproof membrane
Operating / Storage temperature	-49 to +176 °F (-45 to 80 °C)
Protection type	see below

Installation

Make cut-out in enclosure wall of diameter 1.58 inches (40-40.2 mm) for size M40 or 0.48" (12-12.2 mm) for size M12, and mount vent plug with nut. Make sure that the sealing gasket is placed on the outer side of the enclosure. For optimal pressure compensation, it is recommended to use two devices on opposite sides towards the top of the enclosure.



Dimensional drawing: DA 284S, M40

Part No.	Model	Thread length (depth in enclosure)	Protection type	Air permeability ¹	1 packing unit	Weight (approx.)
28401.0-00	M40 x 1.5	approx. 9 mm	IP66 (EN 60529) / IPX9K (EN 40050-9)	1200 liters/hr	1 piece	5.6 oz. (160 g)
28402.0-01	M12 x 1.5	approx. 4 mm	IP66 (EN 60529)	120 liters/hr	1 piece	0.6 oz. (17 g)

¹ at a pressure difference of min. 70 mbar