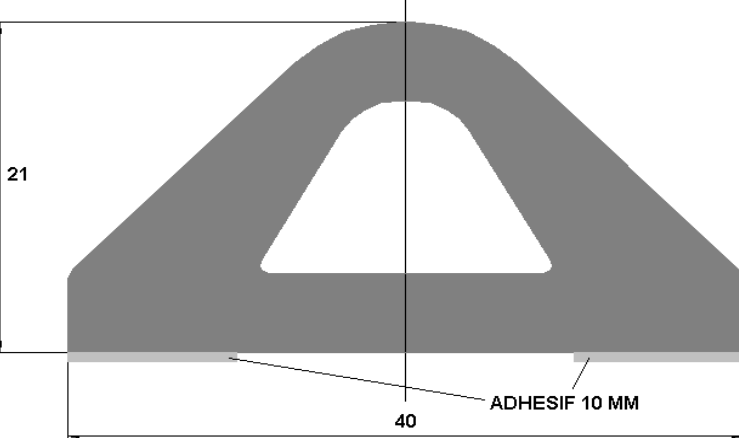
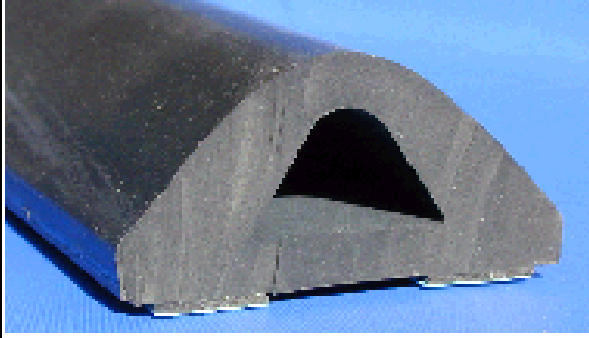
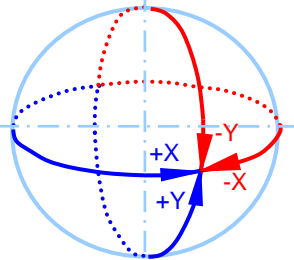
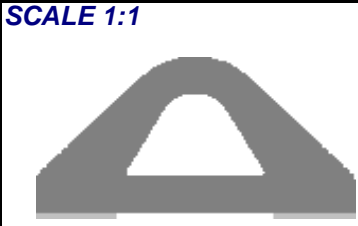
	<p>PRODUCT NUMBER AC40</p> <p>ITEM NUMBER 9F689</p>	
<p>PRODUCT PICTURE</p> 		
		<p>SCALE 1:1</p> 

PRODUCT DESCRIPTION

Shockproof protections with adhesive for flat surfaces

MATERIAL

Grade :	Black EPDM
Hardness :	70 Shores A

MAXIMAL TEMPERATURES OF USE OF THE PROFILE (°C)

Nonstop static	Nonstop under constraints	Hottest (max duration 30 min)
80	70	110

ADHESIVE

Peeling Behaviour at 90° 10 N/cm minimum	Pull out Behaviour 40 N/cm ²	Temperature of use from -30°C to +90°C
---	--	---

For all inquiries feel free to contact : HUTCHINSON - Le Pommarin - BP 17 - 38430 MOIRANS
Tel. +33 4 76 35 79 00 - Fax +33 4 76 35 79 09

