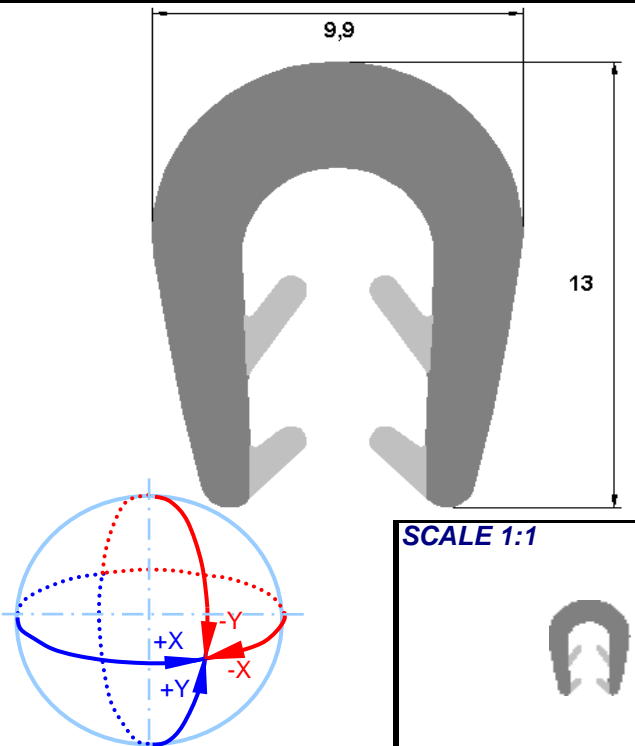
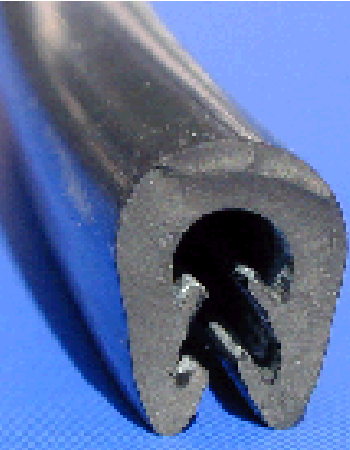

	<p><b>PRODUCT NAME</b> <b>BT03</b></p> <p><b>ITEM NUMBER</b> <b>9G329</b></p>	
<p><b>PRODUCT PICTURE</b></p> 		<p><b>SCALE 1:1</b></p> 

**PRODUCT DESCRIPTION**

**Rigid rubber clip** : gives an elastic tightening  
**Soft rubber lips** : good pull-out behaviour

<b>MATERIAL</b>	CLIP	Grade :	Black EPDM
		Hardness :	95 Shores A
	LIPS	Grade :	Black EPDM
		Hardness :	60 Shores A

<b>MAXIMAL TEMPERATURES OF USE OF THE PROFILE (°C)</b>		
<i>Nonstop static</i>	<i>Nonstop under constraints</i>	<i>Hottest (max duration 30 min)</i>
100	70	110

<b>DIMENSIONS OF THE CLIP (mm)</b>			
<i>Allowed sheet width</i>	2,5 to 3,5	<i>Depth of the clip</i>	9

<b>MINIMAL BENDING RADIUS (mm)</b>			
X	<i>Limit</i>	Y	<i>Limit</i>
20	pinching	+20	-
		-70	unsticking of the clip

For all inquiries feel free to contact : HUTCHINSON - Le Pommarin - BP 17 - 38430 MOIRANS  
 Tel. +33 4 76 35 79 00 - Fax +33 4 76 35 79 09

