
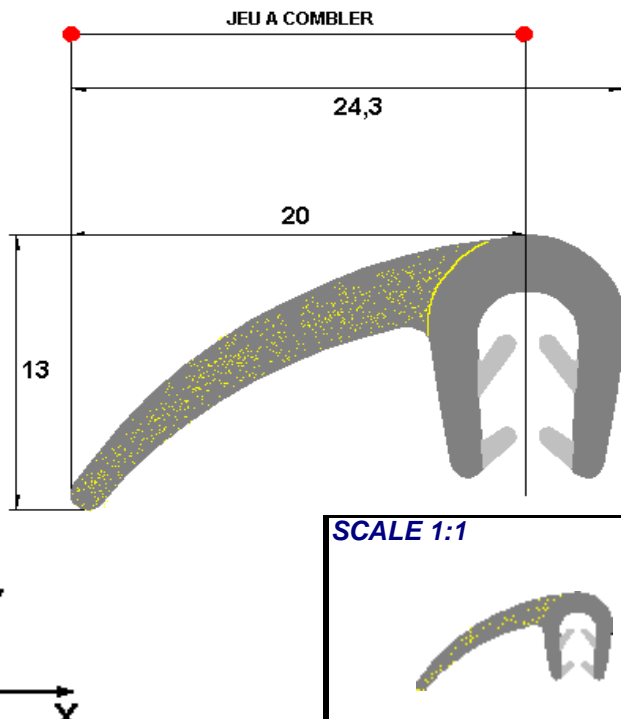



|   |  |   |
|---|--|---|
|  | <b>PRODUCT NAME</b><br><b>LC20</b><br><br><b>ITEM NUMBER</b><br><b>9G487</b> |  |
| <b>PRODUCT PICTURE</b>  |  |   |
|  |  |   |

**PRODUCT DESCRIPTION**

**Soft lip** : gives flexibility when collapsed  
**Clip in rigid rubber** : gives an elastic tightening  
**Soft rubber lips** : good pull-out behaviour

|                 |      |            |                       |
|-----------------|------|------------|-----------------------|
| <b>MATERIAL</b> | CLIP | Grade :    | Black EPDM            |
|                 |      | Hardness : | 95 Shores A           |
|                 | LIPS | Grade :    | Black cellular rubber |

|   |                                  |                                       |
|---|----------------------------------|---------------------------------------|
| <b>MAXIMAL TEMPERATURES OF USE OF THE PROFILE</b> |                                  |                                       |
| <i>Nonstop static</i>                             | <i>Nonstop under constraints</i> | <i>Hottest ( max duration 30 min)</i> |
| 80  | 70                               | 110                                   |

|                                    |            |                   |   |
|------------------------------------|------------|-------------------|---|
| <b>DIMENSIONS OF THE CLIP (mm)</b> |            |                   |   |
| Allowed sheet width                | 1,5 to 2,5 | Depth of the clip | 7 |

|                               |              |     |                 |
|-------------------------------|--------------|-----|-----------------|
| <b>MINIMAL BENDING RADIUS</b> |              |     |                 |
| X                             | Limit        | Y   | Limit           |
| -                             | wavy lip     | +40 | clip unsticking |
| -                             | lip collapse | -30 | wavy lip        |

|                                 |  |             |                     |             |
|---------------------------------|--|-------------|---------------------|-------------|
| <b>GAP - Direction Y - (mm)</b> |  |             |                     |             |
|                                 |  | <b>MINI</b> | <b>ADVISED</b>      | <b>MAXI</b> |
| gap                             |  | <b>6</b>    | <b>12      15</b>   | <b>20</b>   |
| tubing collapse                 |  | <b>100%</b> | <b>50%      30%</b> | <b>0%</b>   |

For all inquiries feel free to contact : HUTCHINSON - Le Pommarin - BP 17 - 38430 MOIRANS  
 Tel. +33 4 76 35 79 00 - Fax +33 4 76 35 79 09

