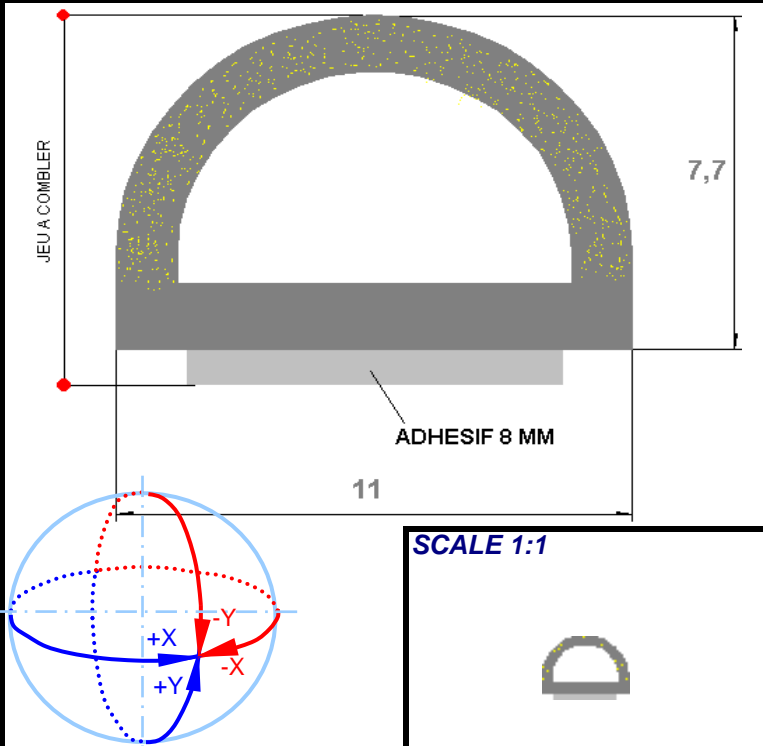

	<p>PRODUCT NAME MF08</p> <p>ITEM NUMBER 9G931</p>	
<p>PRODUCT PICTURE</p> 		

PRODUCT DESCRIPTION

Cellular Rubber : gives flexibility when collapsed
Rigid foot : maintains the geometry of the profile
Strong adhesive : allows a good holding without mechanical fixing

MATERIAL	FOOT	Grade :	Black EPDM
		Hardness :	95 Shores A
	TUBING	Grade :	black cellular rubber

MAXIMAL TEMPERATURES OF USE OF THE PROFILE (°C)		
<i>Nonstop Static</i>	<i>Nonstop under constraints</i>	<i>Hottest (max duration 30 min)</i>
80	70	110

ADHESIVE		
<i>Peeling Behaviour at 90°</i>	<i>Pull out Behaviour</i>	<i>Temperature of use</i>
10 N/cm minimum	40 N/cm ²	from -30°C to +90°C

MINIMAL BENDING RADIUS (mm)			
X	Limit	Y	Limit
-	-	+40	tubing pinching
		-30	tubing collapse

GAP - Direction Y - (mm)				
		MINI	ADVISED	MAXI
Gap		3	5 7	9
Tubing collapse		100%	50% 30%	0%

For all inquiries feel free to contact : HUTCHINSON - Le Pommarin - BP 17 - 38430 MOIRANS
 Tel. +33 4 76 35 79 00 - Fax +33 4 76 35 79 09

